

80 mm sq.

San Ace 80

20mm thick
25mm thick, 38mm thick, 42mm thick



General Specifications

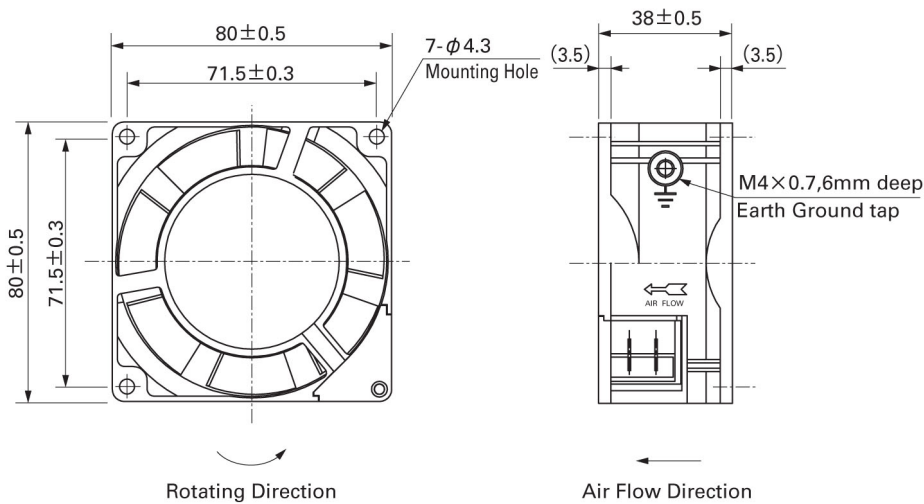
- Material Frame: Aluminum, Impeller:Plastics (Flammability: UL94V-1)
- Life Expectancy Varies for each model (L10:Survival rate: 90% at 60°C , rated voltage,and continuously run in a free air state)
- Dielectric Strength 50/60Hz 1,500VAC 1minute (between input terminal and frame or between lead conductor and frame)
- Storage Temperature -30°C to +70°C (Non-condensing)

80×80×38mm (Mass : 400g)

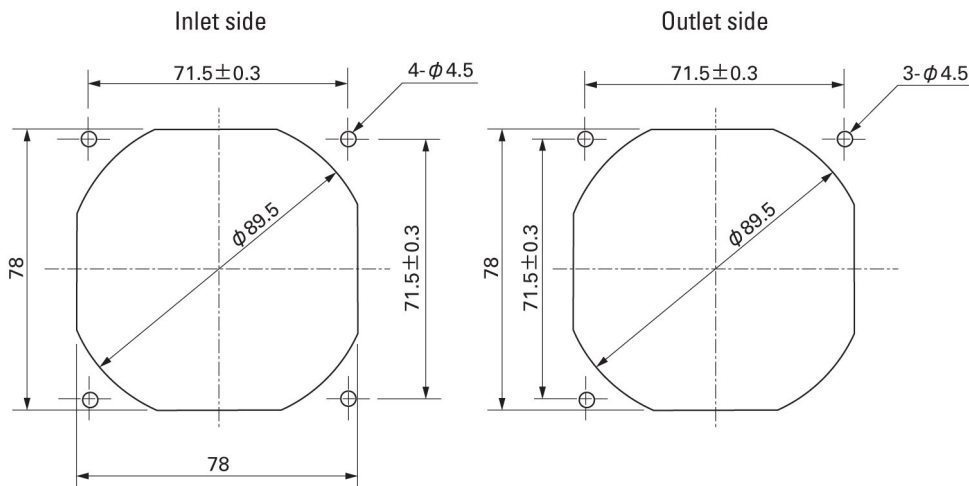
Specifications

Model No.	Voltage [V]	Frequency [Hz]	Input [W]	Current [A]	Locked Rotor Current [A]	Rated Speed [min ⁻¹]	Air Flow [m ³ /min] [CFM]	Static Pressure [Pa] [inchH ₂ O]	SPL [dB(A)]	Operating Temperature [°C]	Life Expectancy [h]
109-150	100	50/60	9/8	0.13/0.11	0.17/0.15	2,700/3,150	0.9/1.05 31.8/37.1	31.4/44.1 0.126/0.177	35/39	-30 to +60	25,000
109-153	115			0.11/0.1	0.14/0.12						
109-151	200			0.07/0.06	0.09/0.08						
109-154	230			0.06/0.05	0.08/0.07						

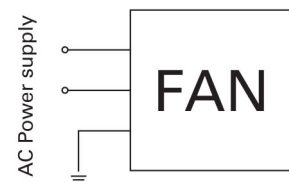
Dimensions (Unit : mm)



Reference dimension of mounting holes and vent opening (Unit : mm)

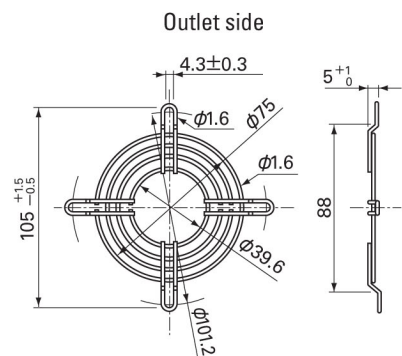


Wiring diagram



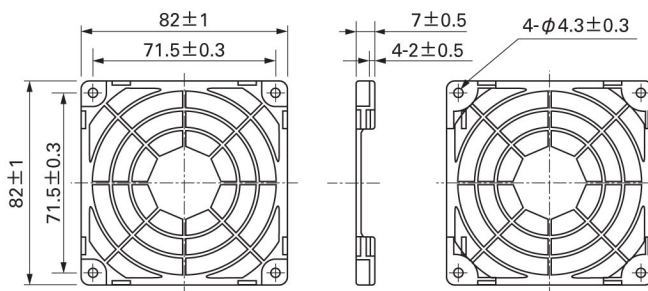
Finger guards

Model : 109-049C Surface treatment : Nickel-chrome plating (silver) Color : silver



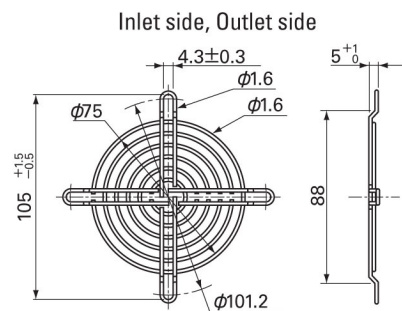
Resin finger guards

Model : 109-1002G



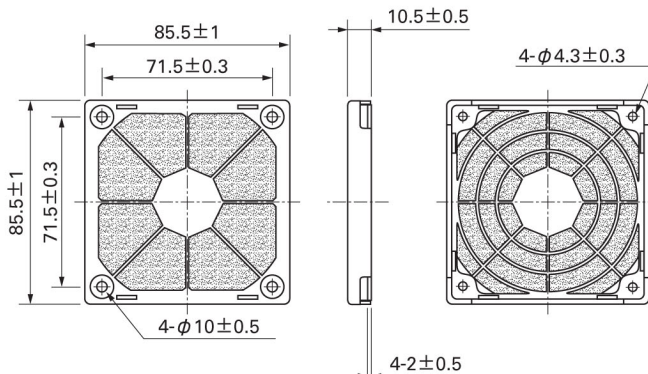
Model : 109-049E
: 109-049H

Surface treatment : Nickel-chrome plating (silver)
: Cation electropainting (black) Color : silver



Resin filter kits

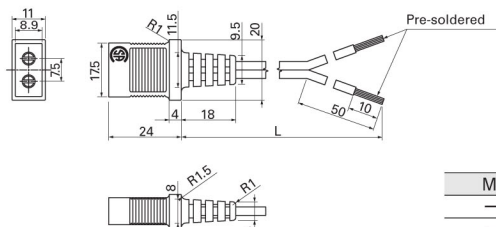
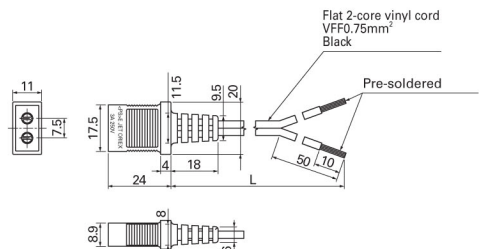
Model : 109-1002F13 (13PPI), 109-1002F20 (20PPI)
: 109-1002F30 (30PPI), 109-1002F40 (40PPI)



Plug cord

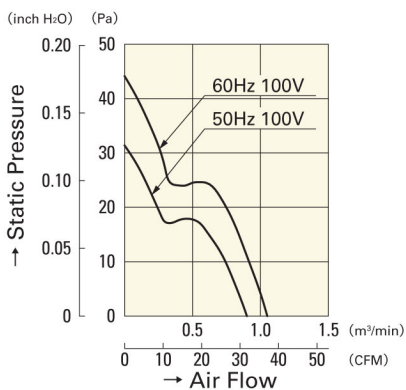
(Products compliant with Electrical Appliance and Material Safety Law)
Model : 489-016-L10/489-016-L21

(UL/CSA CERTIFIED)
UL FILE No.E50197 CSA FILE No.LR67048
Model : 489-047-L10/489-047-L21



Model	Power cord length(mm)
- L10	1,000
- L21	2,100

Air Flow and Static Pressure Characteristics



- 109-150
- 109-153
- 109-151
- 109-154