

**φ172mm**

# San Ace 172

25mm thick(Sidecut type)  
 51mm thick(Sidecut type GV type)  
 51mm thick(Sidecut type), 51mm thick(Round type)



**General Specifications** **With a pulse sensor** Specifications for pulse sensors ⇨ Refer to Page 239

\*Please inquire about other specifications.

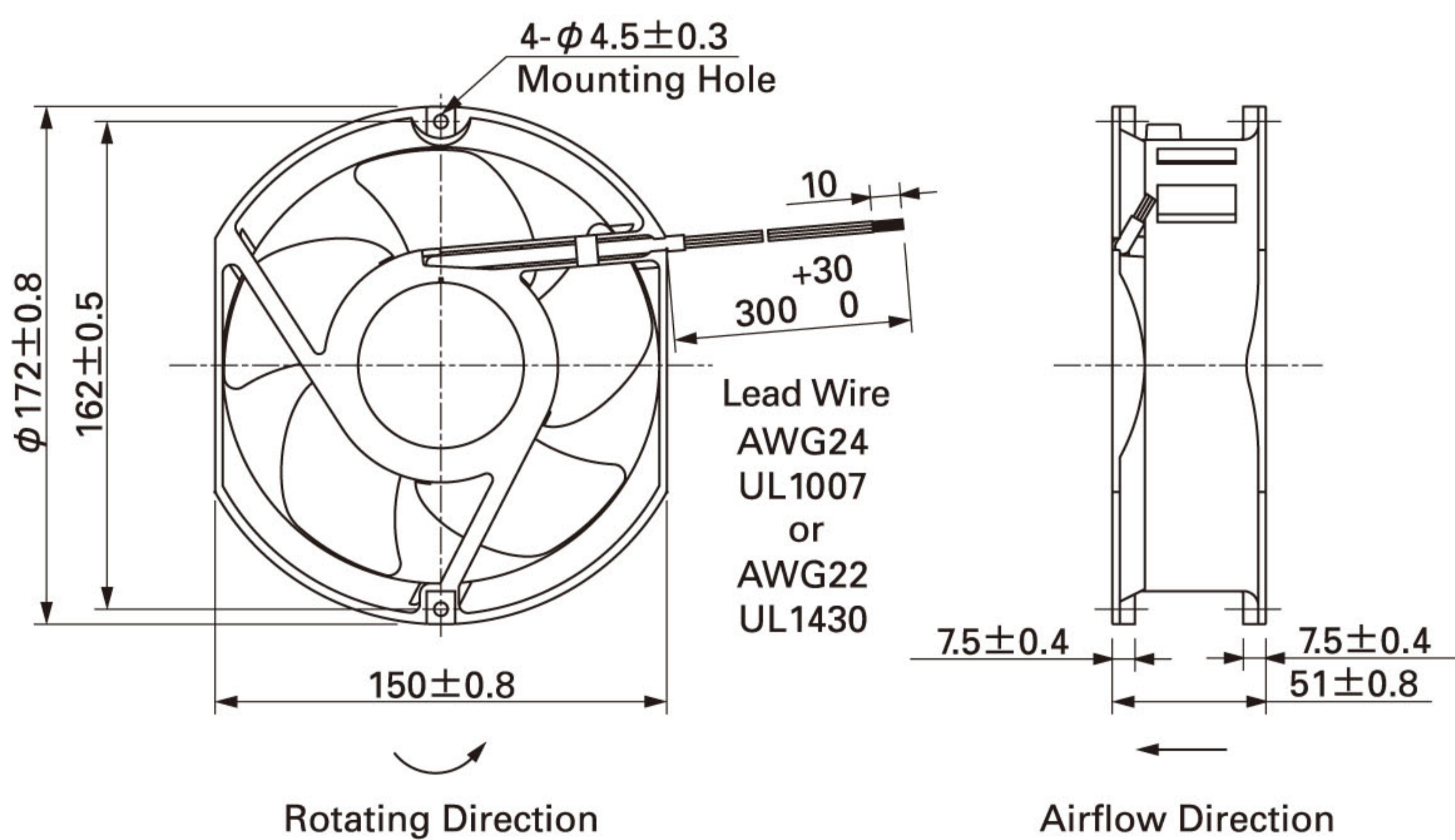
- Material.....Frame: Aluminum, Impeller:Plastics (Flammability: UL94V-1)
- Life Expectancy .....Varies for each model (L10:Survival rate:90% at 60°C ,  
 rated voltage, and continuously run in a free air state)
- Lead Wire .....⊕red ⊖black **Sensor** yellow
- Storage Temperature ...-30°C to +70°C (Non-condensing)

**φ172mm×51mm thick** [Mass : 760g] **SideCut type**

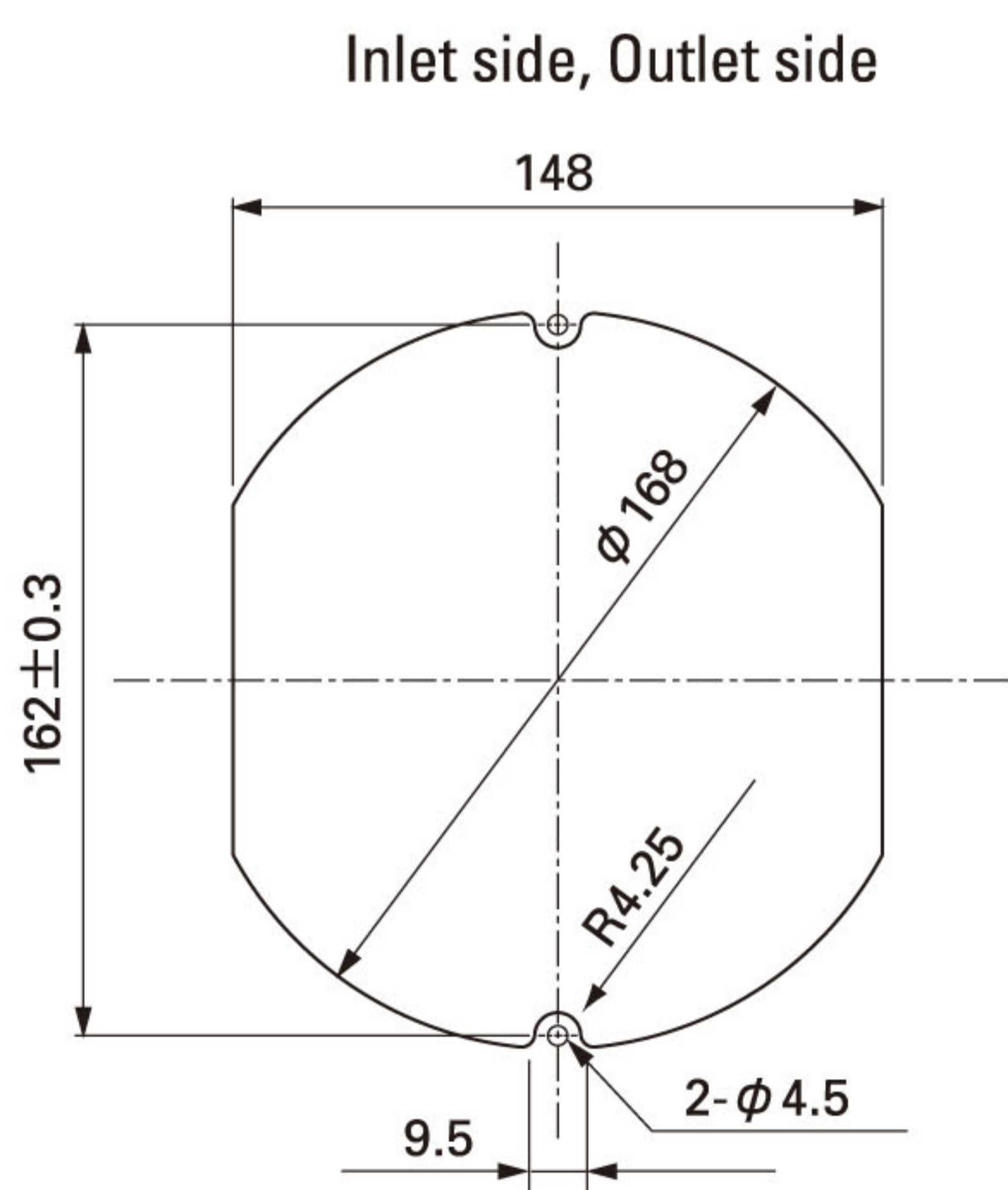
**Specifications**

Model No.	Rated Voltage (V)	Operating Voltage Range (V)	Rated Current (A)	Rated Input (W)	Rated Speed (min <sup>-1</sup> )	Air Flow (m <sup>3</sup> /min) (CFM)	Static Pressure (Pa) (inchH <sub>2</sub> O)	SPL (dB[A])	Operating Temperature Range (°C)	Life Expectancy (h)
109E5712K501	12	10.2 to 13.8	2.9	34.8	4,100	8.5 300	243.0 0.976	60	-10 to +60	40,000
109E5712H501			1.2	14.4	3,050	6.4 226	137.2 0.551	52		
109E5712M501			0.48	5.76	2,000	4.2 148	67.6 0.271	41		
109E5724C501	24	20.4 to 27.6	2.3	55.2	4,800	9.9 350	308.0 1.237	66	-10 to +70	
109E5724K501			1.3	31.2	4,100	8.5 300	243.0 0.976	60		
109E5724H501			0.58	13.92	3,050	6.4 226	137.2 0.551	52		
109E5724M501			0.2	4.8	2,000	4.2 148	67.6 0.271	41		
109E5748C501	48	40.8 to 55.2	1.2	57.6	4,800	9.9 350	308.0 1.237	66	-10 to +60	
109E5748K501			0.7	33.6	4,100	8.5 300	243.0 0.976	60		
109E5748H501			0.28	13.44	3,050	6.4 226	137.2 0.551	52	-10 to +70	
109E5748M501			0.11	5.28	2,000	4.2 148	67.6 0.271	41		

**Dimensions (Unit : mm)**



**Reference dimension of mounting holes and vent opening (Unit : mm)**



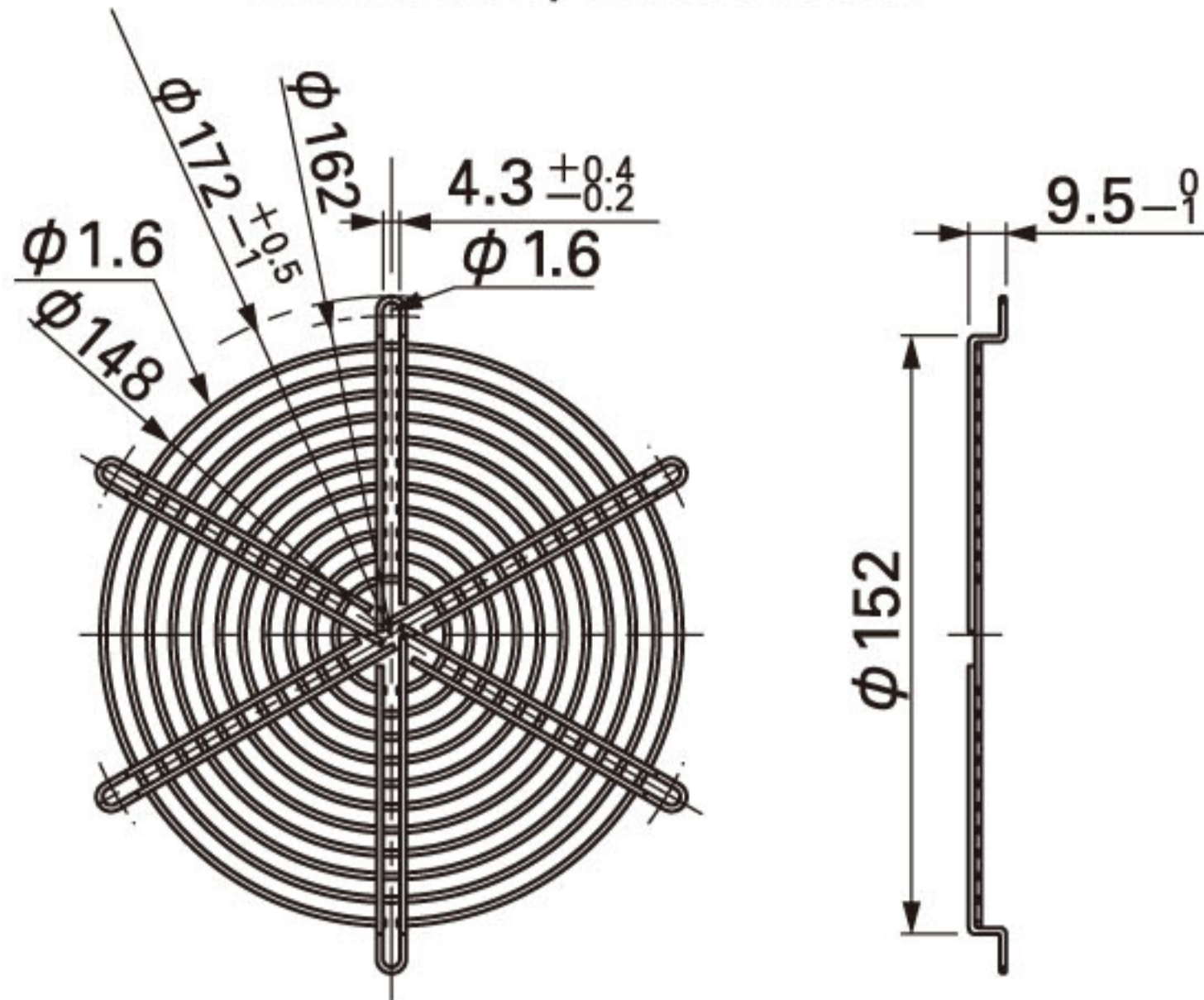
## Options (Unit : mm)

### Finger guards

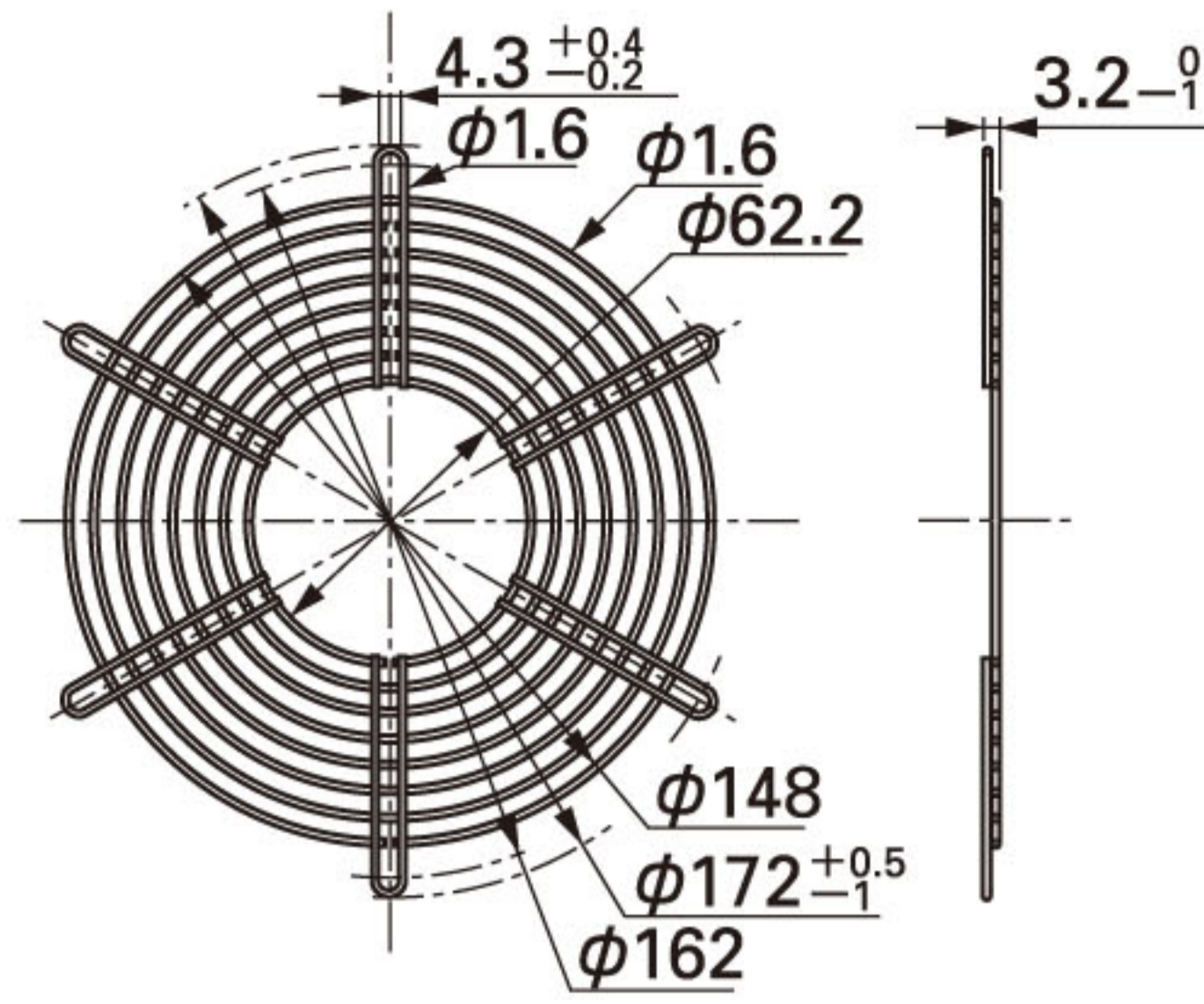
Model : 109-319E Surface treatment : Nickel-chrome plating (silver) Color  
 : 109-319H : Cation electropainting (black)

Model : 109-320 Surface treatment : Nickel-chrome plating (silver) Color

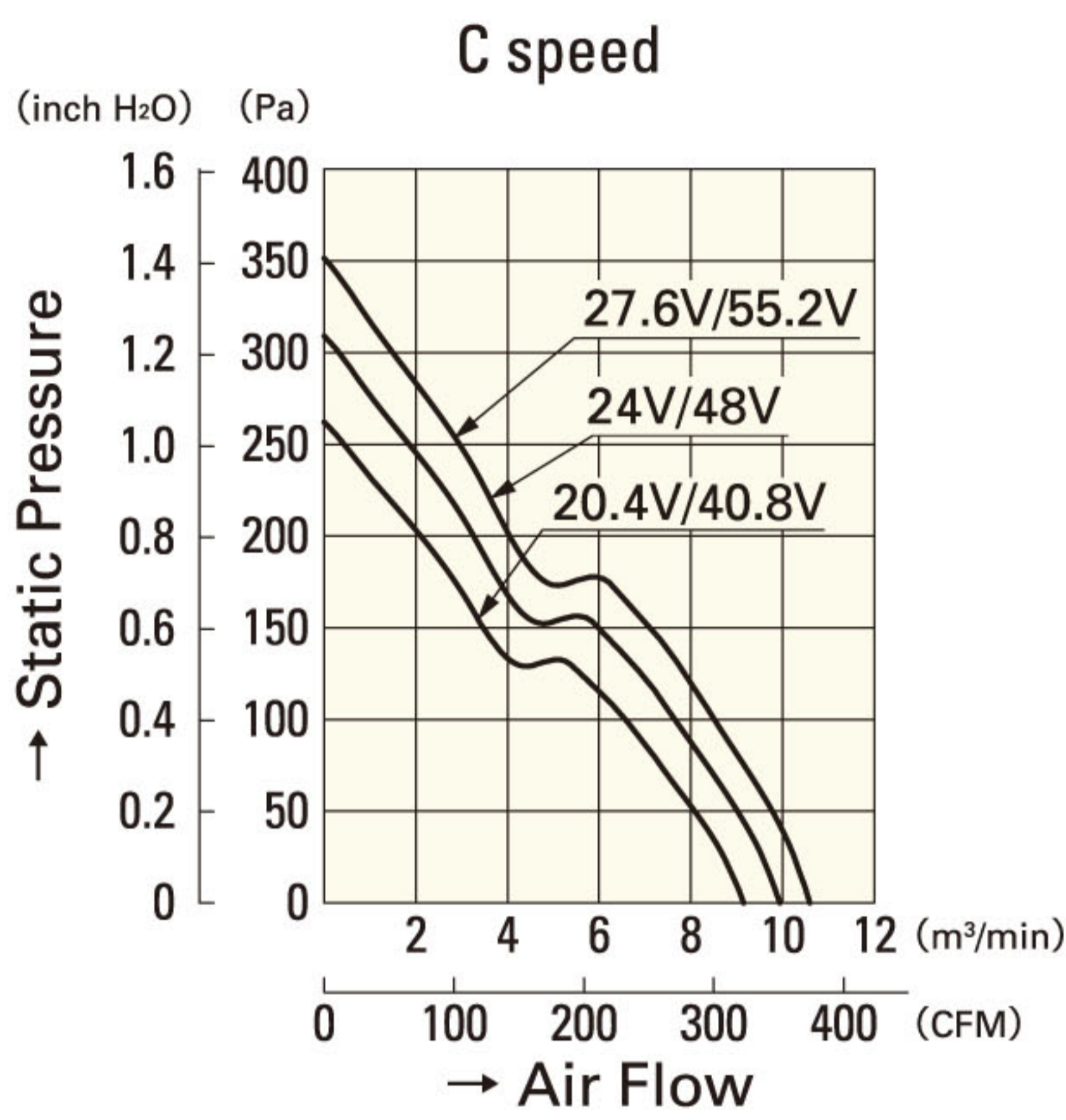
Inlet side, Outlet side



Outlet side

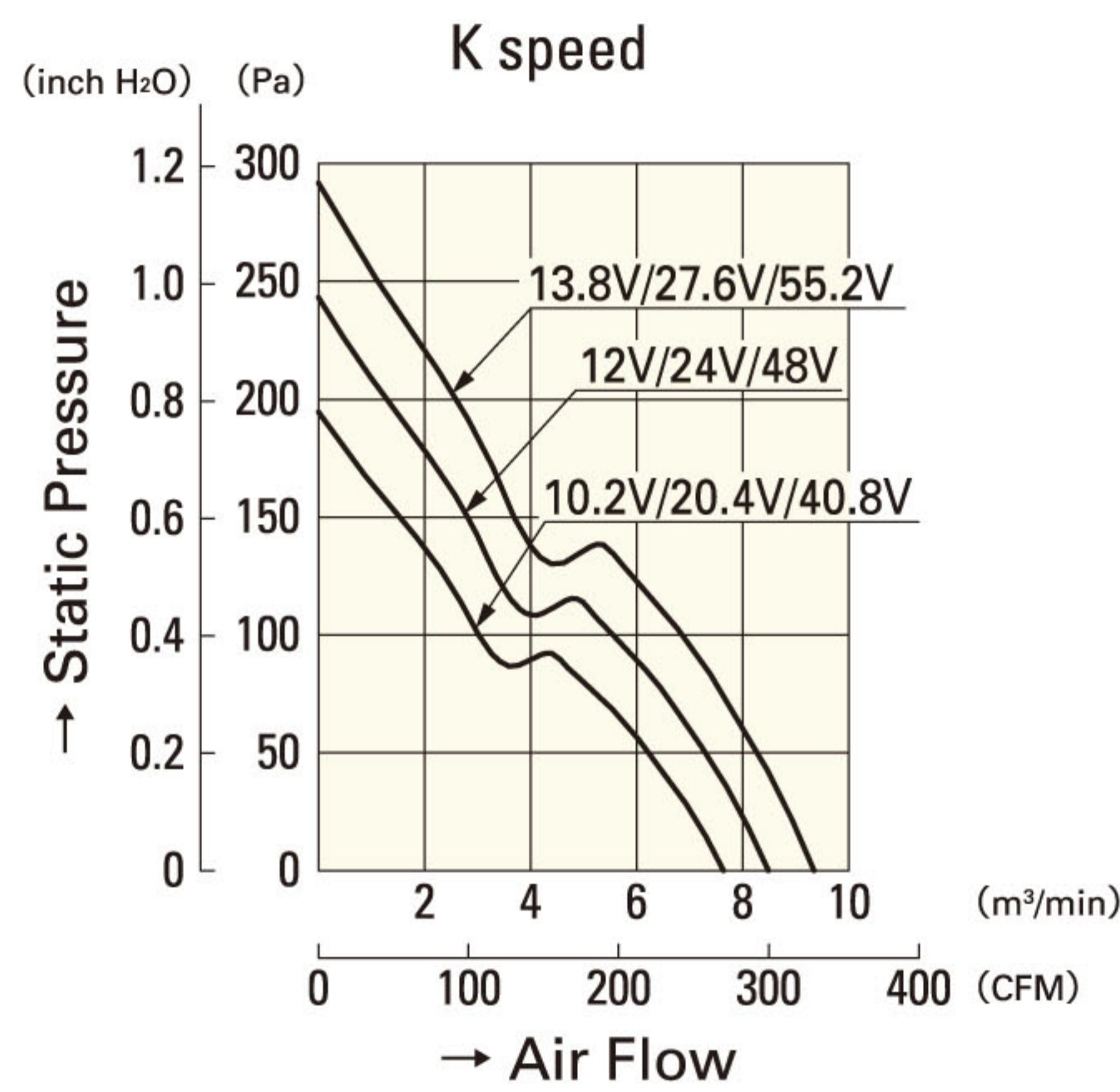


## Air Flow and Static Pressure Characteristics



**109E5724C501**

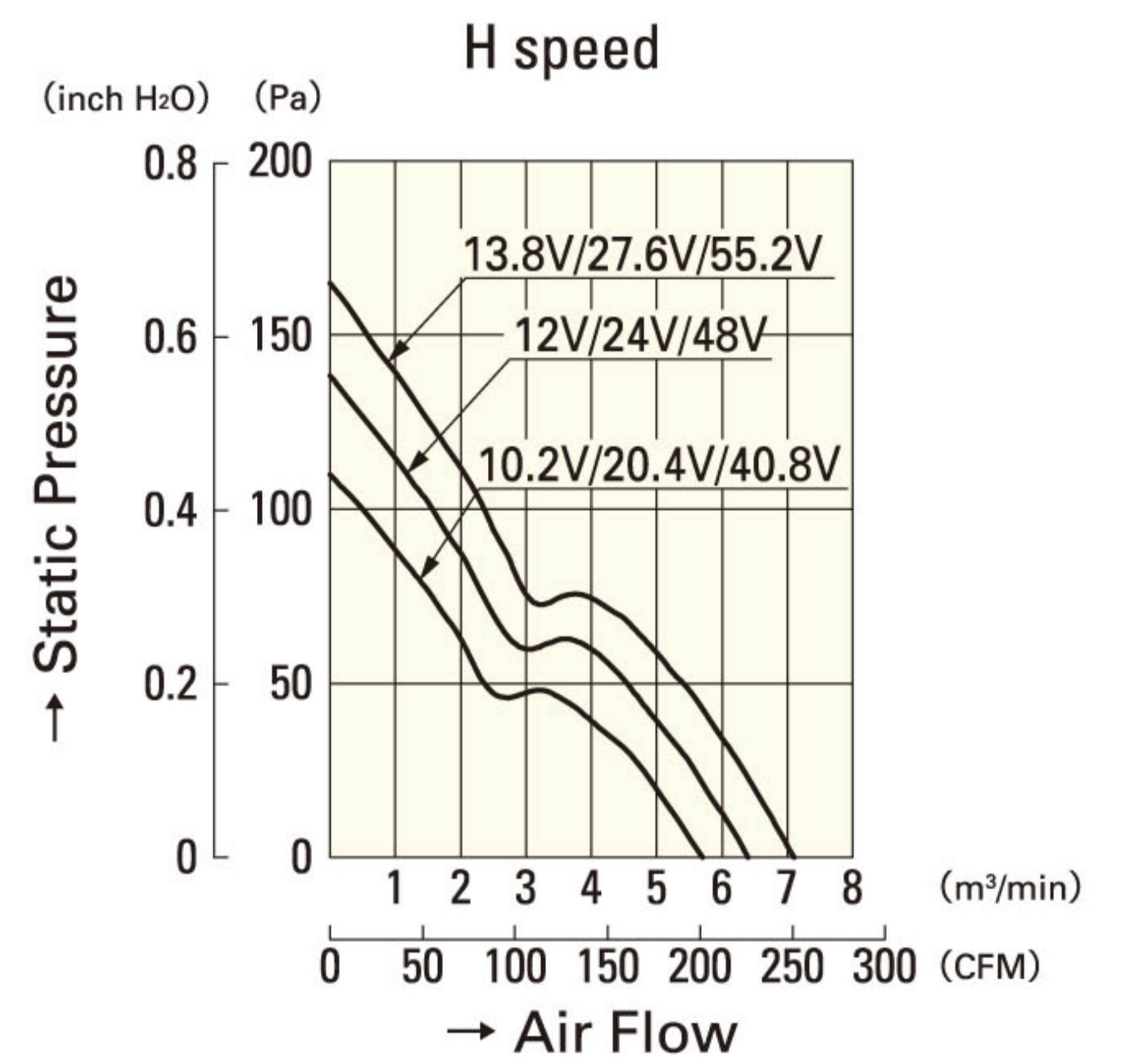
**109E5748C501**



**109E5712K501**

**109E5724K501**

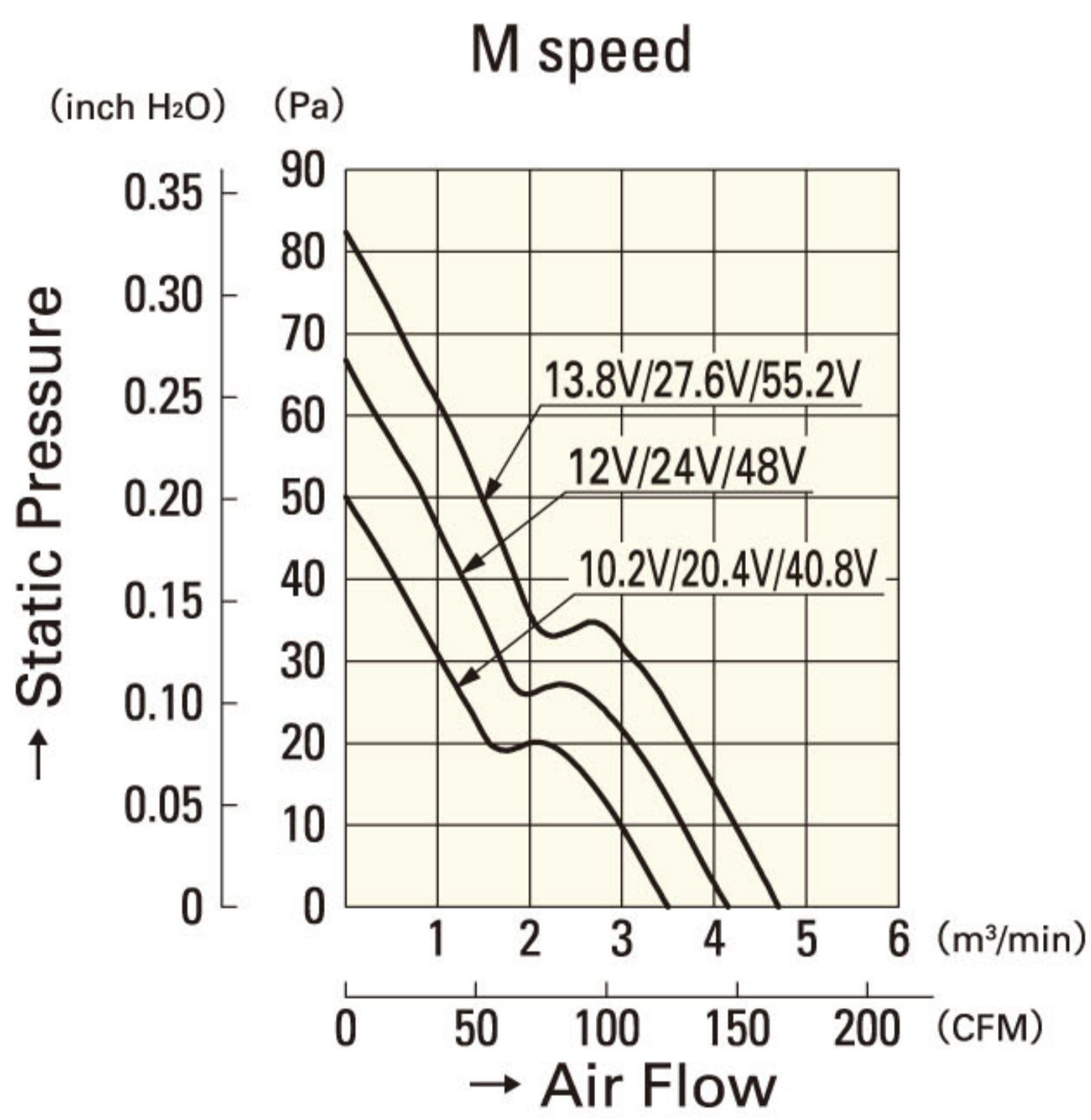
**109E5748K501**



**109E5712H501**

**109E5724H501**

**109E5748H501**



**109E5712M501**

**109E5724M501**

**109E5748M501**