

**60mm**

# San Ace 60

15mm thick, 20mm thick, 25mm thick  
25mm thick (San Cooler)  
38mm thick (G type)



**General Specifications** With a pulse sensor Specifications for pulse sensors ⇨ Refer to Page 239

\*Please inquire about other specifications.

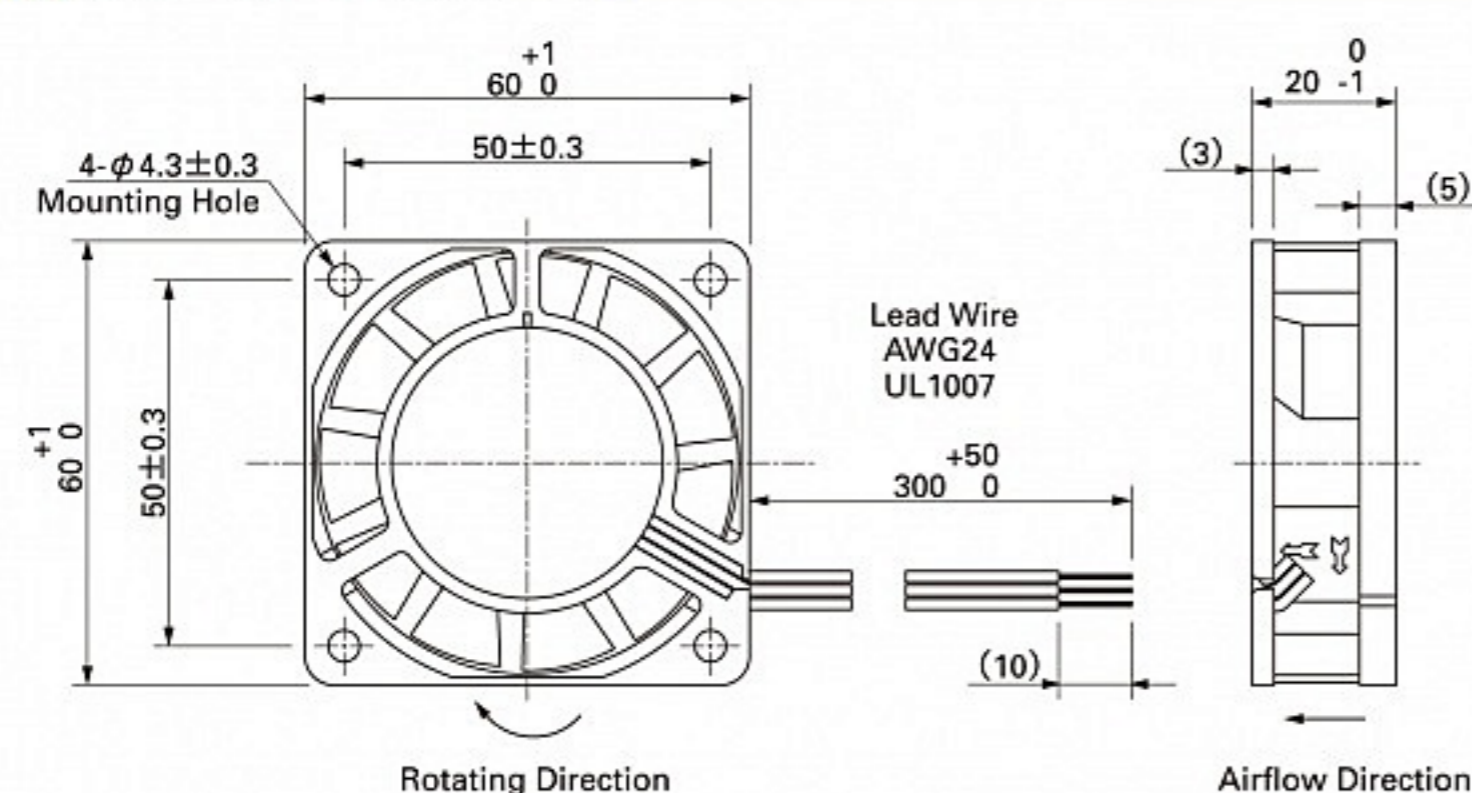
- Material ..... Frame: Plastics (Flammability: UL94V-0),  
Impeller: Plastics (Flammability: UL94V-1)
- Life Expectancy ..... Varies for each model (L10: Survival rate: 90% at 60°C,  
rated voltage, and continuously run in a free air state)
- Lead Wire ..... ⊕red ⊖black (Sensor) yellow
- Storage Temperature ..... -30°C to +70°C (Non-condensing)

**60mm × 20mm thick** (Mass : 90g)

**Specifications**

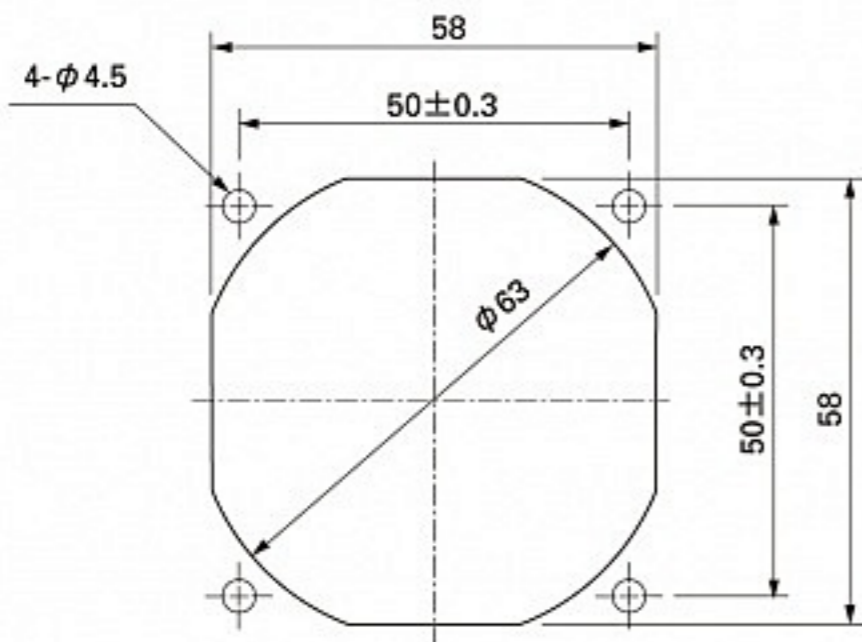
Model No.	Rated Voltage (V)	Operating Voltage Range (V)	Rated Current (A)	Rated Input (W)	Rated Speed (min <sup>-1</sup> )	Air Flow (m <sup>3</sup> /min) (CFM)	Static Pressure (Pa) (inchH <sub>2</sub> O)	SPL (dB(A))	Operating Temperature Range (°C)	Life Expectancy (h)
109P0612W601	12	6 to 16	0.13	1.56	4,200	0.42 14.8	31.9 0.128	31	-10 to +70	60,000
109P0612H601		10.2 to 13.8	0.13	1.56	4,200	0.42 14.8	31.9 0.128	31		
109P0612M601			0.09	1.08	3,200	0.30 10.6	18.8 0.076	25		
109P0624W601	24	12 to 30	0.07	1.68	4,200	0.42 14.8	31.9 0.128	31		
109P0624H601		20.4 to 27.6	0.07	1.68	4,200	0.42 14.8	31.9 0.128	31		
109P0624M601			0.05	1.20	3,200	0.30 10.6	18.8 0.076	25		
109P0648H601	48	43 to 53	0.07	3.36	5,600	0.55 19.4	52.9 0.212	41		40,000

**Dimensions (Unit : mm)**



**Reference dimension of mounting holes and vent opening (Unit : mm)**

Inlet side, Outlet side



31

**Options (Unit : mm)**

**Finger guards**

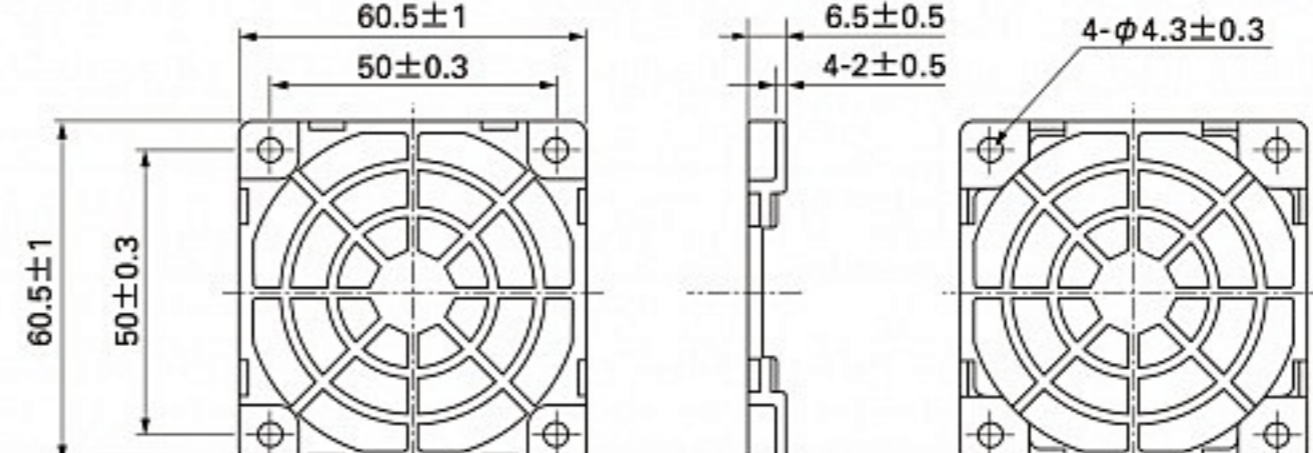
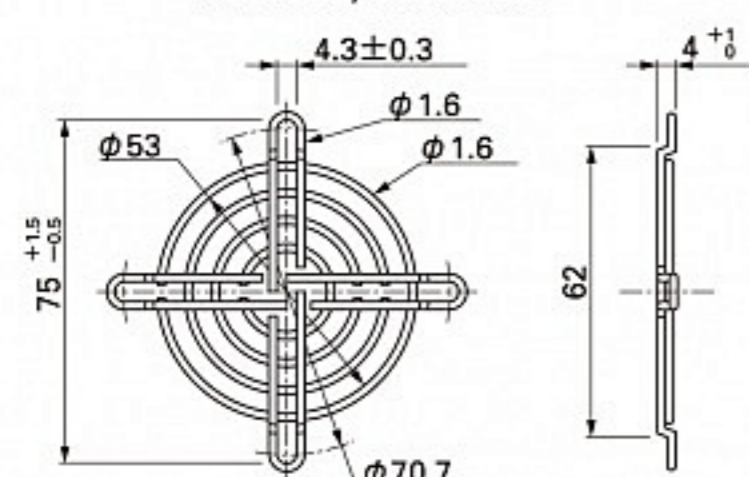
Model : 109-139E Surface treatment : Nickel-chrome plating (silver)  
109-139H : Cation electropainting (black)

Color

**Resin finger guards**

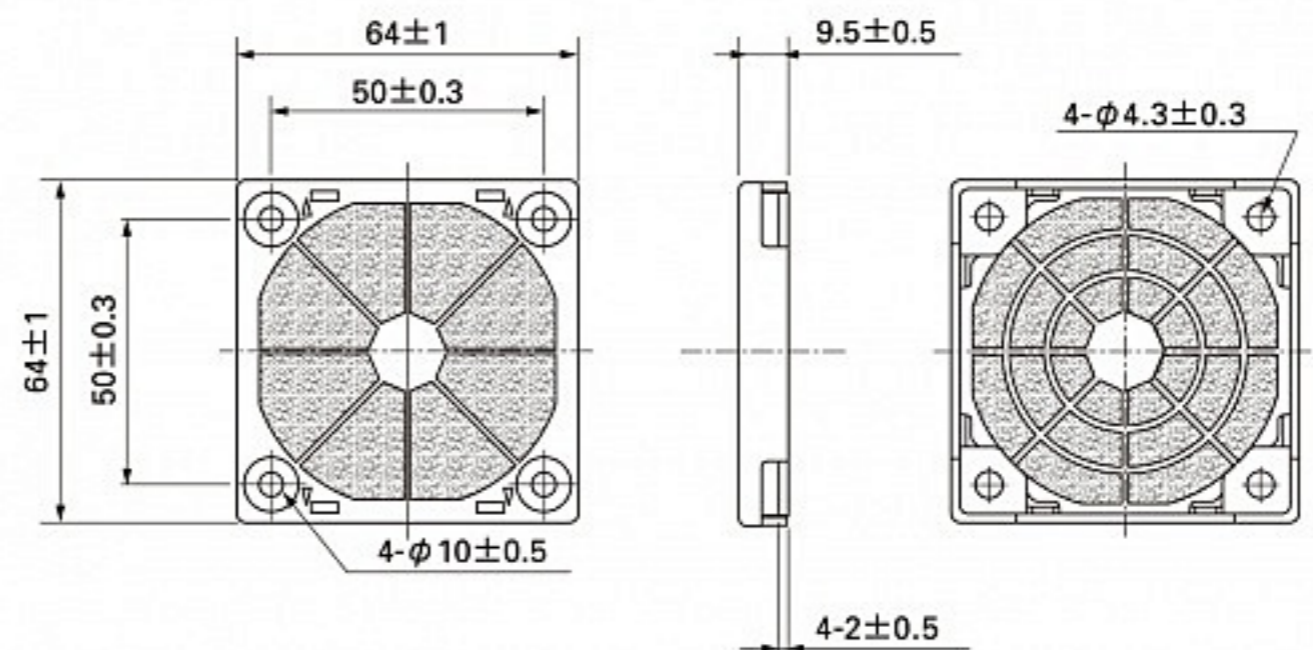
Model : 109-1003G

Inlet side, Outlet side

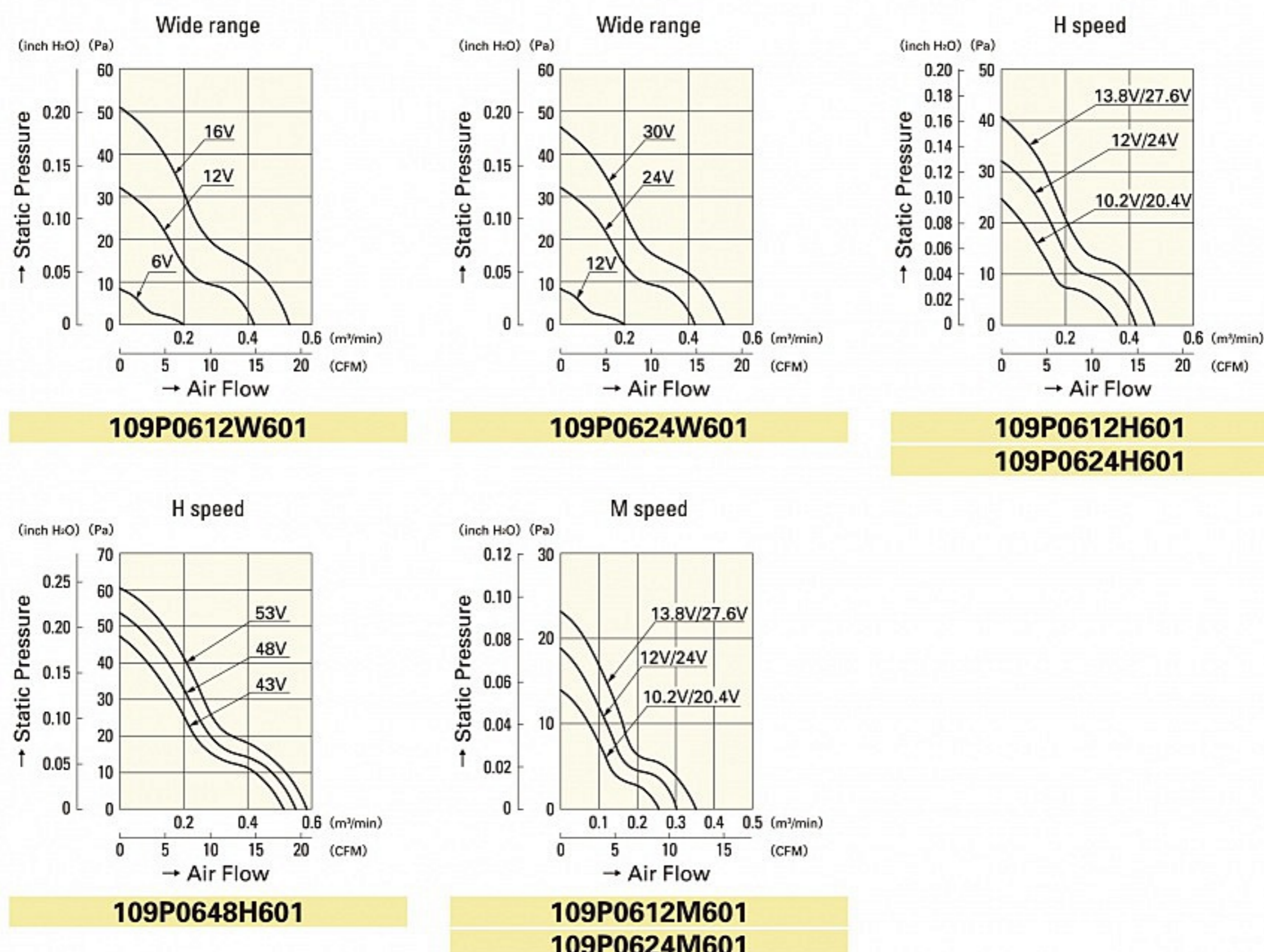


**Resin filter kits**

Model : 109-1003F13 (13PPI), 109-1003F20 (20PPI)  
109-1003F30 (30PPI), 109-1003F40 (40PPI)



**Air Flow and Static Pressure Characteristics**



DC Fan 60mm

60mm