

80mm

San Ace 80

15mm thick, 20mm thick, 25mm thick
25mm thick (San Cooler), 32mm thick
38mm thick (GV type), 38mm thick (G type)



General Specifications **With a pulse sensor** Specifications for pulse sensors ⇨ Refer to Page 239

*Please inquire about other specifications.

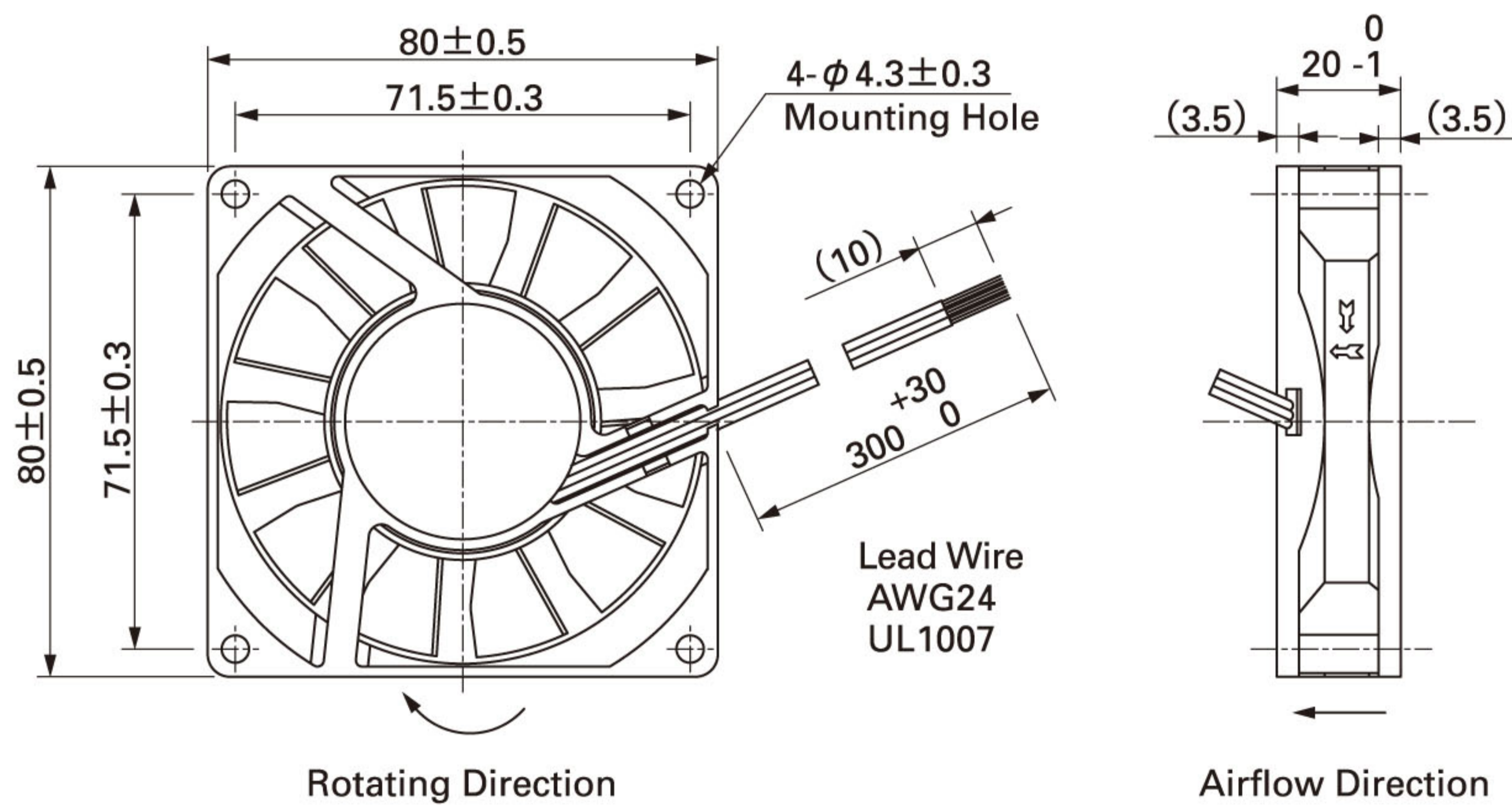
- Material.....Frame: Plastics (Flammability: UL94V-0),
Impeller:Plastics (Flammability: UL94V-1)
- Life ExpectancyVaries for each model (L10:Survival rate:90% at 60°C ,
rated voltage, and continuously run in a free air state)
- Lead Wire⊕red ⊖black (Sensor) yellow
- Storage Temperature ...-30°C to +70°C (Non-condensing)

80mm×20mm thick [Mass : 100g]

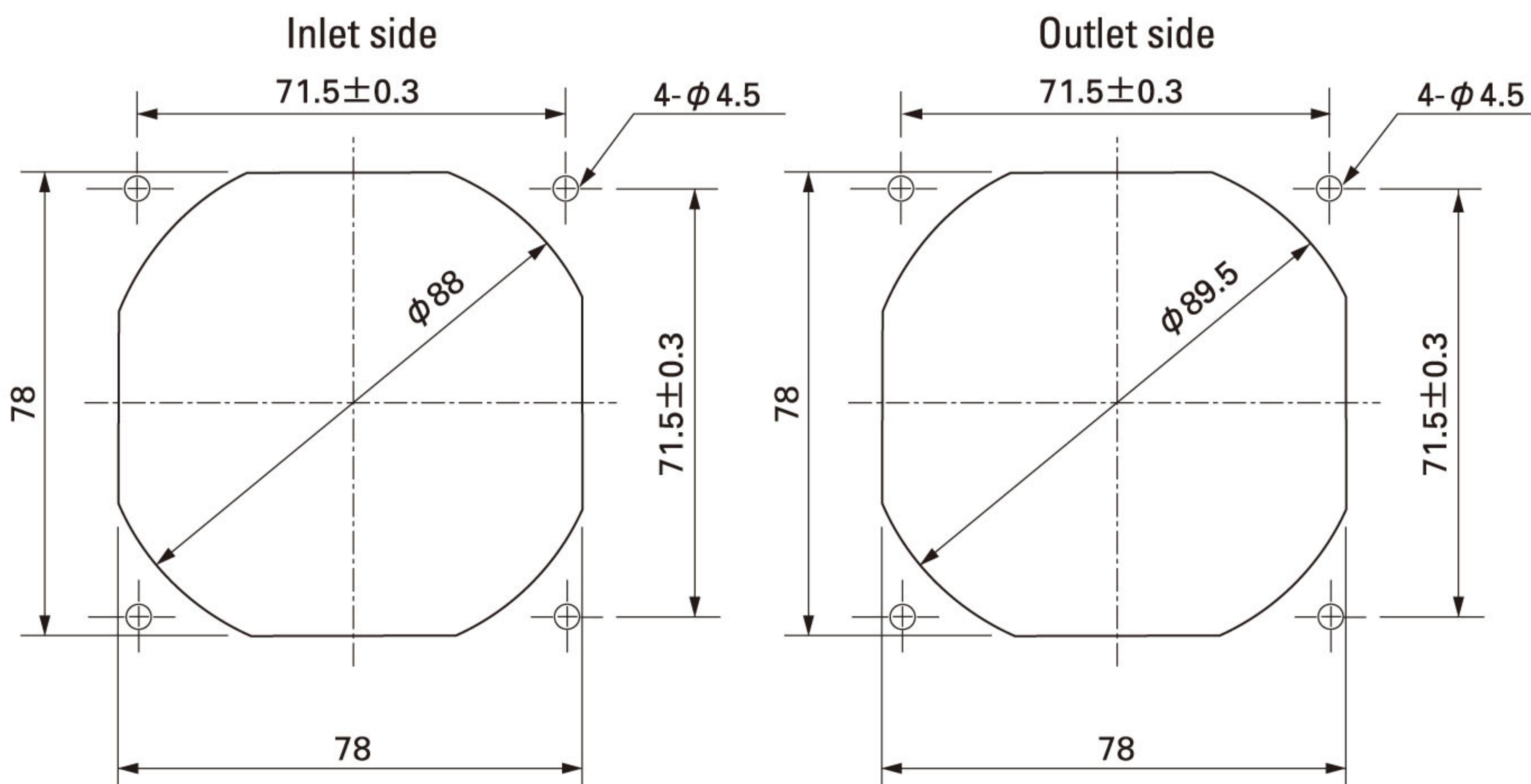
Specifications

Model No.	Rated Voltage (V)	Operating Voltage Range (V)	Rated Current (A)	Rated Input (W)	Rated Speed (min ⁻¹)	Air Flow (m ³ /min) (CFM)	Static Pressure (Pa) (inchHzO)	SPL (dB[A])	Operating Temperature Range (°C)	Life Expectancy (h)
109P0812C601	12	10.2 to 13.8	0.29	3.48	3,700	1.07 37.8	46 0.185	39	-10 to +60	60,000
109P0812H601			0.21	2.52	2,900	0.84 29.7	29.4 0.118	31		
109P0812M601			0.13	1.56	2,300	0.67 23.7	18.6 0.075	25		
109P0824H601	24	20.4 to 27.6	0.12	2.88	2,900	0.84 29.7	29.4 0.118	31	-10 to +70	60,000
109P0824M601			0.07	1.68	2,300	0.67 23.7	18.6 0.075	25		
109P0848C601	48	38 to 57.6	0.08	3.84	3,700	1.07 37.8	46 0.185	39	-10 to +70	40,000
109P0848H601			0.05	2.4	2,900	0.84 29.7	29.4 0.118	31	-10 to +60	

Dimensions (Unit : mm)



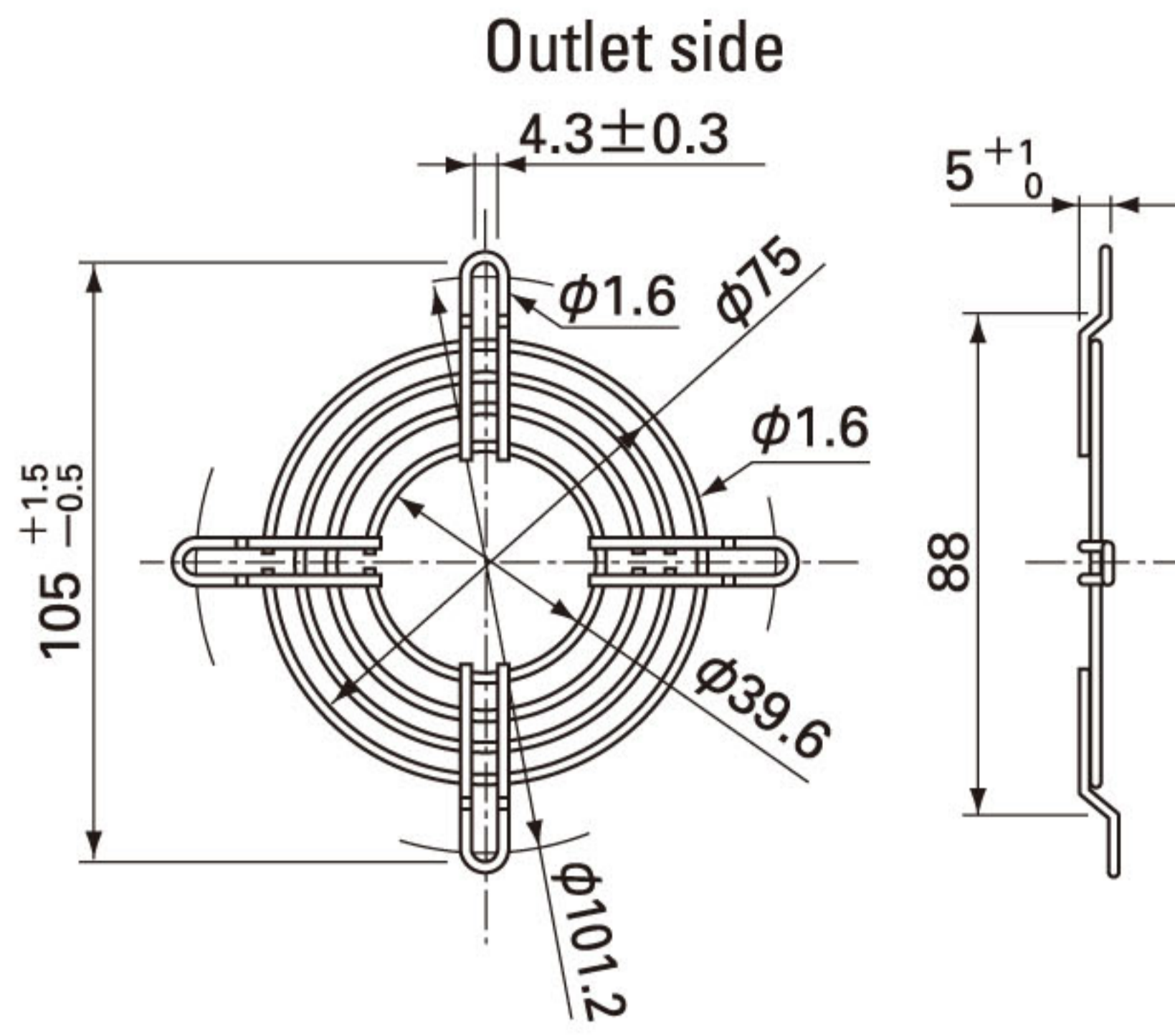
Reference dimension of mounting holes and vent opening (Unit : mm)



Options (Unit : mm)

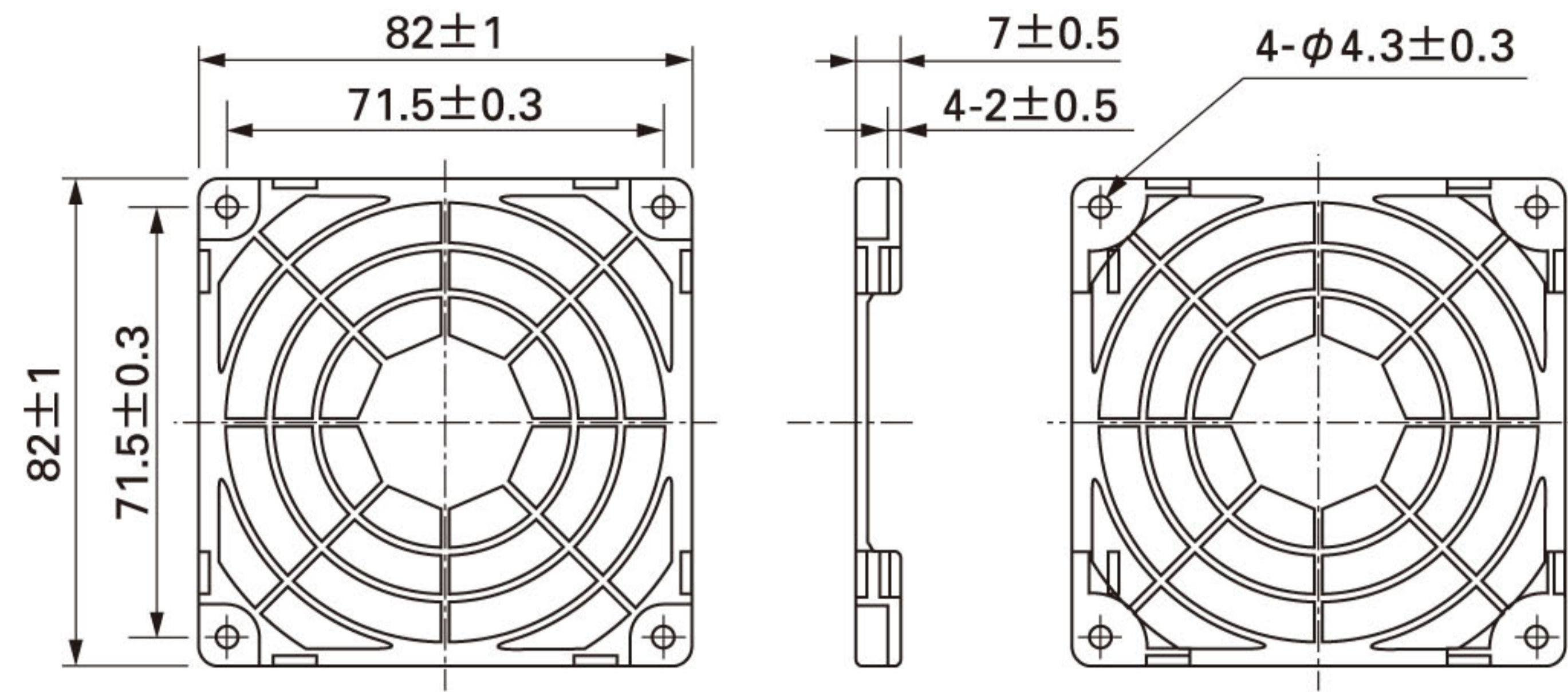
Finger guards

Model : 109-049C Surface treatment : Nickel-chrome plating (silver) Color : Silver



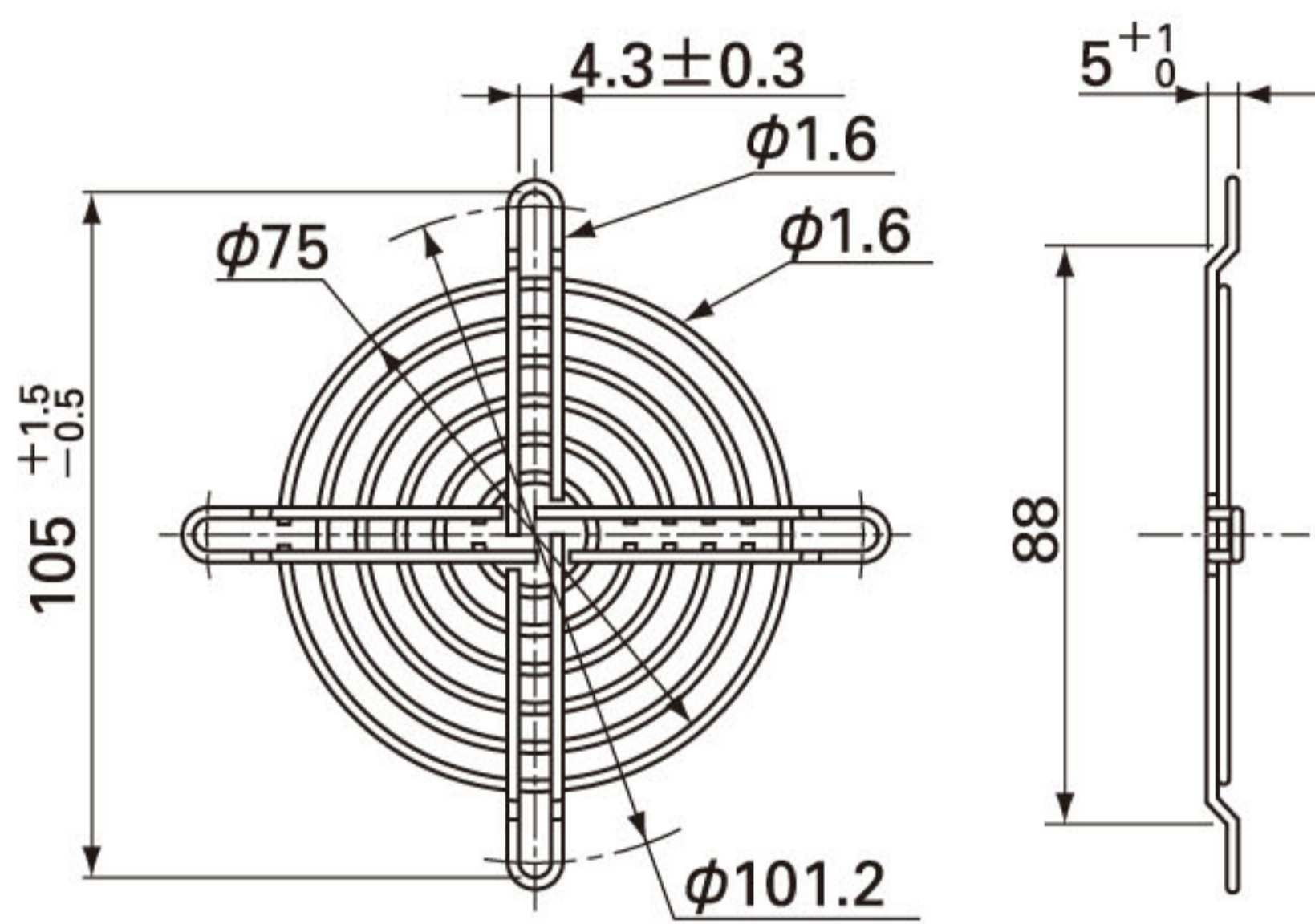
Resin finger guards

Model : 109-1002G



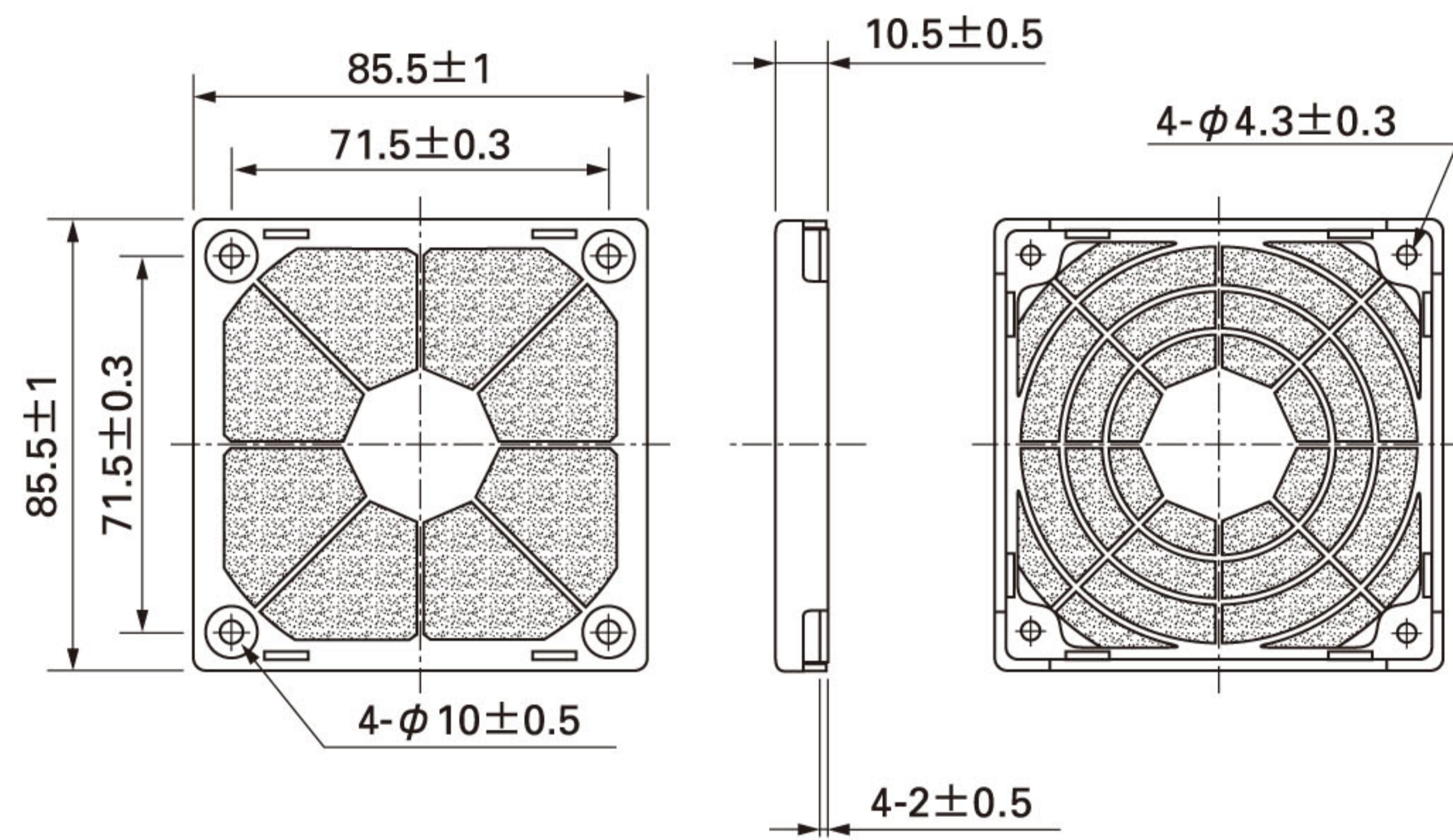
Model : 109-049E Surface treatment : Nickel-chrome plating (silver) Color : Silver
 : 109-049H : Cation electropainting (black)

Inlet side, Outlet side

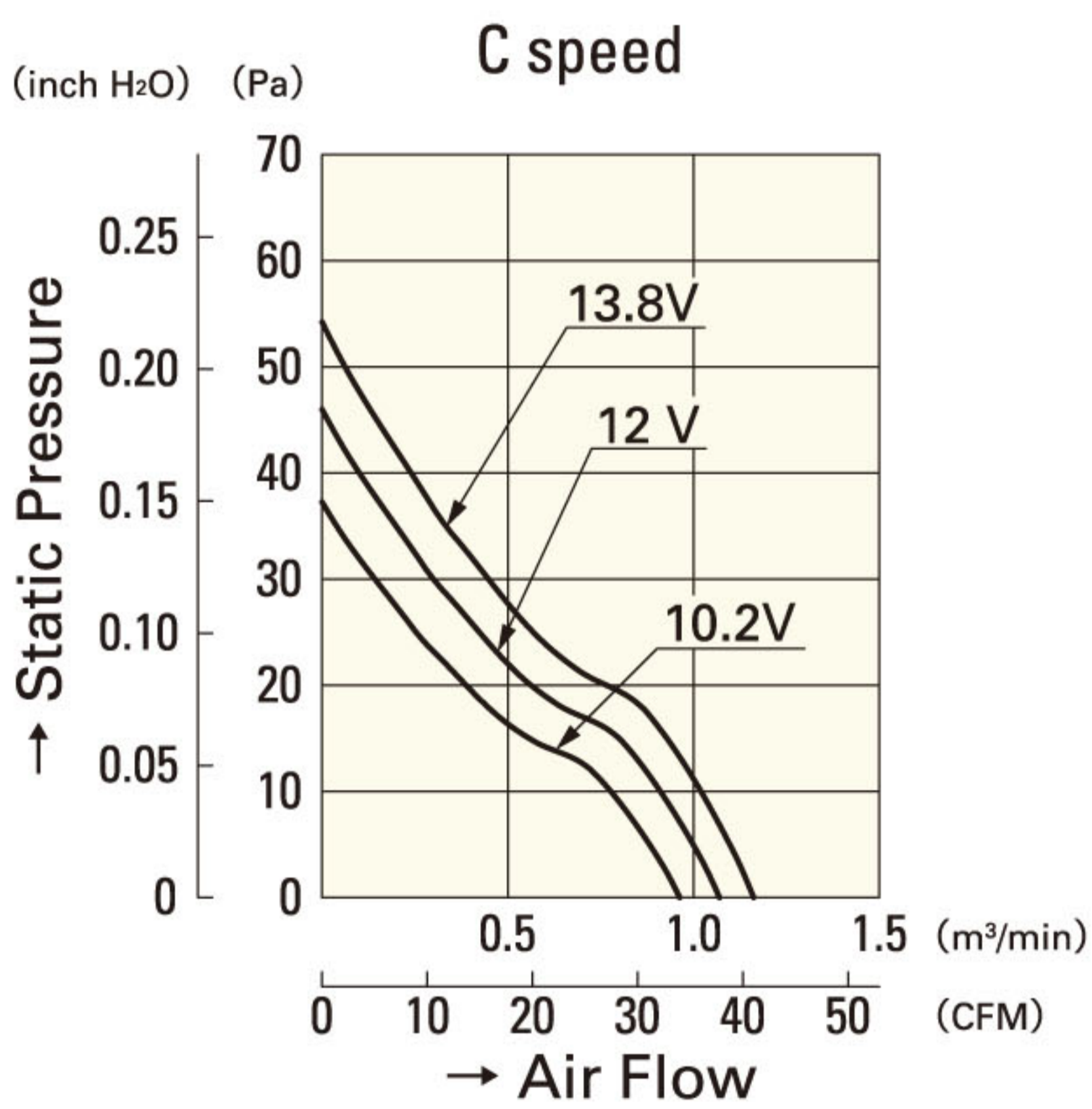


Resin filter kits

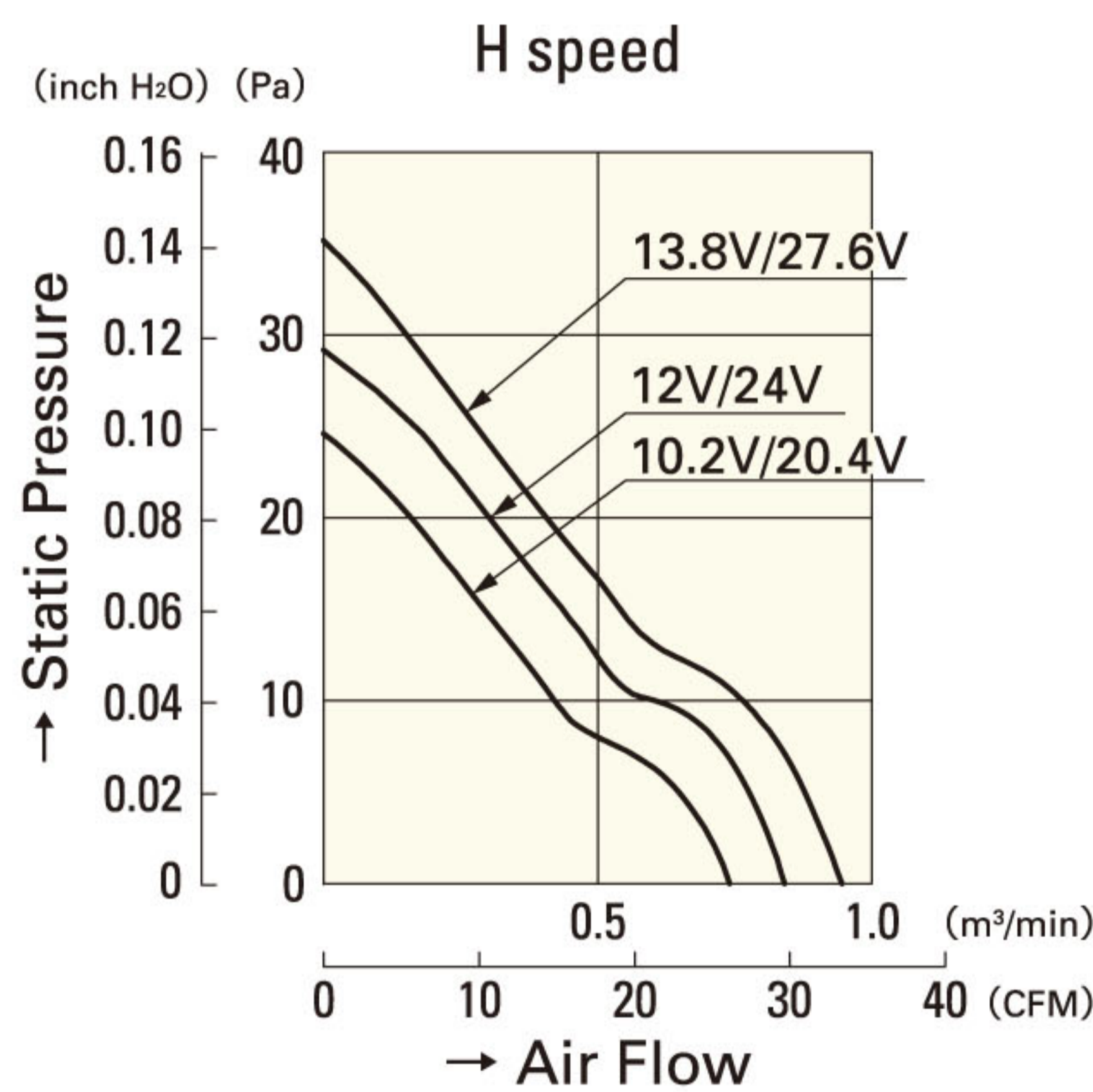
Model : 109-1002F13 (13PPI), 109-1002F20 (20PPI)
 : 109-1002F30 (30PPI), 109-1002F40 (40PPI)



Air Flow and Static Pressure Characteristics

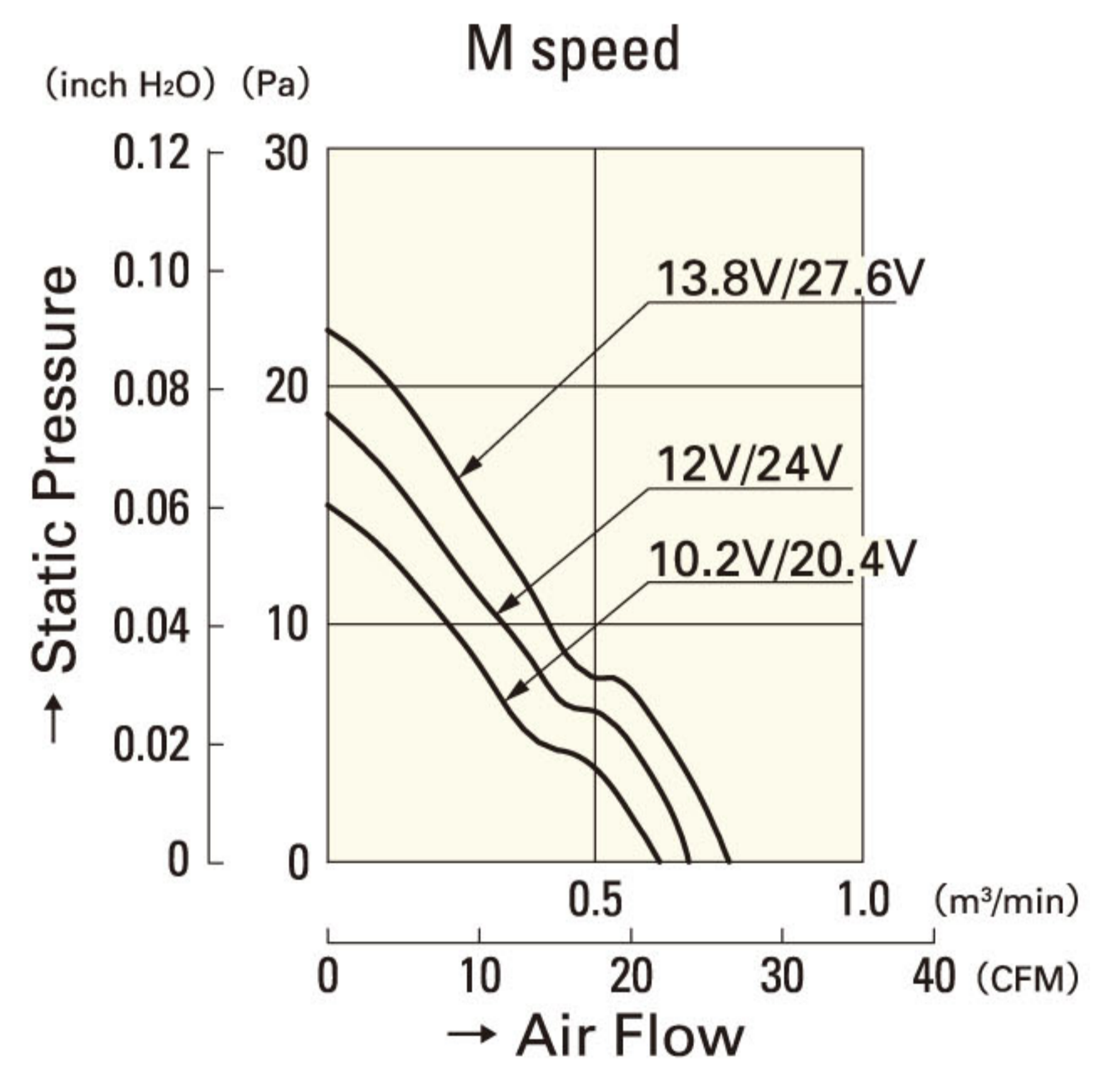


109P0812C601



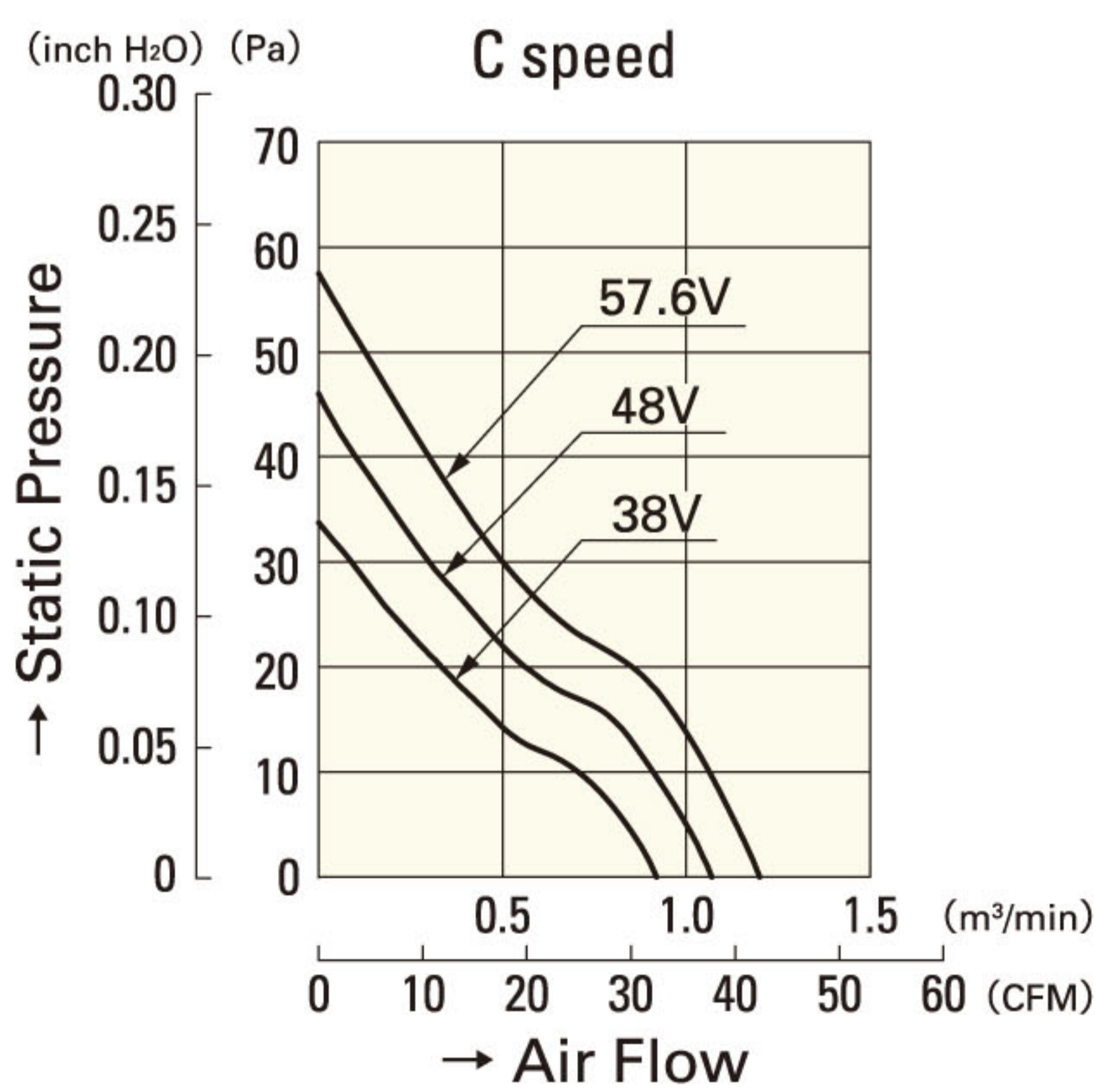
109P0812H601

109P0824H601

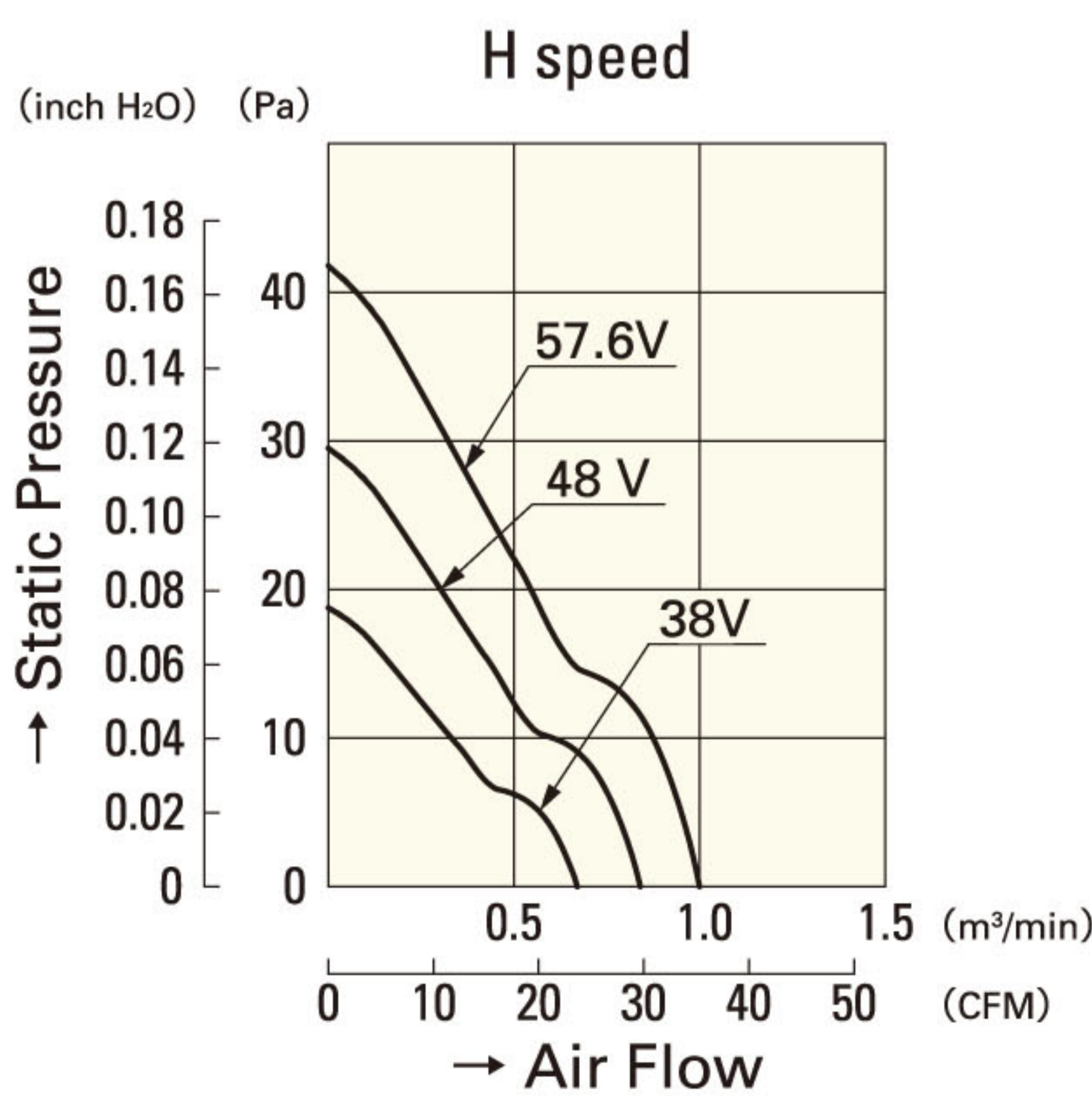


109P0812M601

109P0824M601



109P0848C601



109P0848H601