

80mm

San Ace 80

15mm thick, 20mm thick, 25mm thick
25mm thick (San Cooler), 32mm thick
38mm thick (GV type), 38mm thick (G type)



General Specifications **With a pulse sensor** Specifications for pulse sensors ⇨ Refer to Page 239

*Please inquire about other specifications.

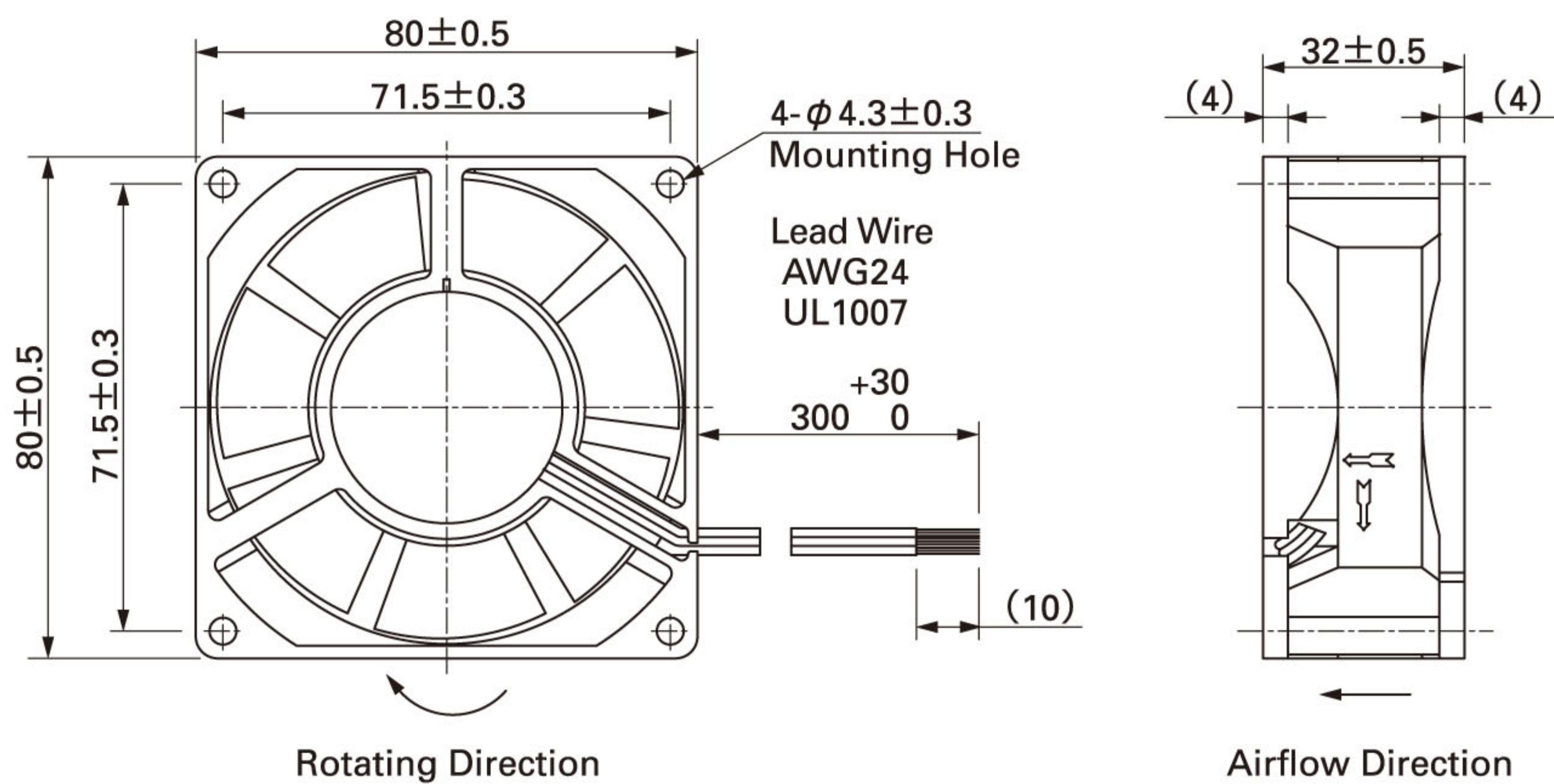
- Material Frame: Plastics (Flammability: UL94V-0),
Impeller: Plastics (Flammability: UL94V-1)
- Life Expectancy Varies for each model (L10: Survival rate: 90% at 60°C,
rated voltage, and continuously run in a free air state)
- Lead Wire ⊕ red ⊖ black (Sensor) yellow
- Storage Temperature ... -30°C to +70°C (Non-condensing)

80mm × 32mm thick [Mass : 150g]

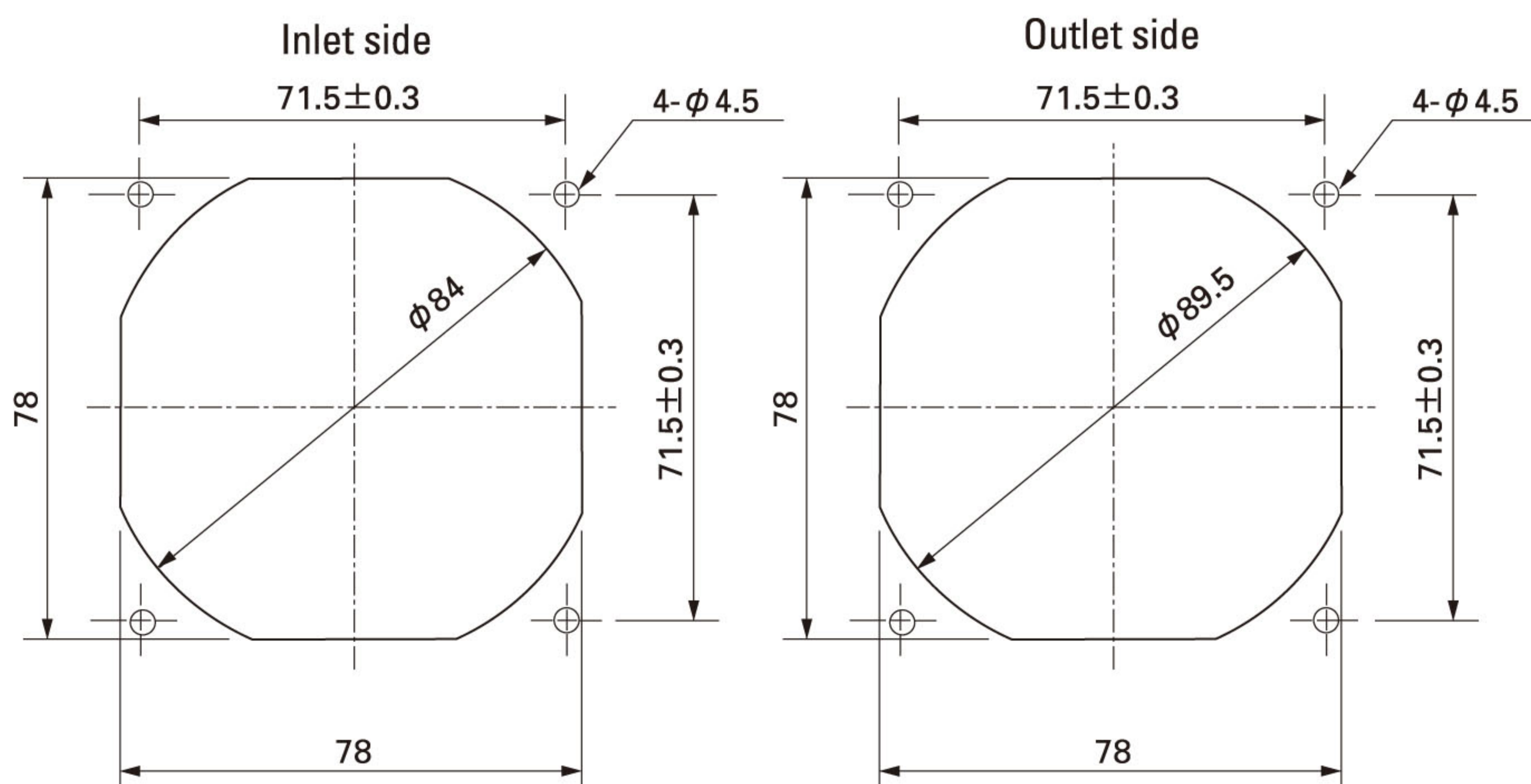
Specifications The numbers in () represent ribless models.

| Model No. | Rated Voltage (V) | Operating Voltage Range (V) | Rated Current (A) | Rated Input (W) | Rated Speed (min ⁻¹) | Air Flow (m ³ /min) (CFM) | Static Pressure (Pa) (inchH ₂ O) | SPL (dB[A]) | Operating Temperature Range (°C) | Life Expectancy (h) |
|--------------------|-------------------|-----------------------------|-------------------|-----------------|----------------------------------|--------------------------------------|---|-------------|----------------------------------|---------------------|
| 109P0812A201(2011) | 12 | 6 to 13.2 | 0.56 | 6.72 | 4,600 | 1.52 53.7 | 91.1 0.366 | 45 | -10 to +55 | 40,000(+55°C) |
| 109P0812H201(2011) | | | 0.16 | 1.92 | 3,150 | 1.05 37.1 | 43.1 0.173 | 33 | -10 to +70 | 40,000 |
| 109P0812M201(2011) | | 0.07 | 0.84 | 2,000 | 0.65 23.0 | 18.5 0.074 | 21 | -10 to +70 | 60,000 | |
| 109P0824A201(2011) | 24 | 12 to 26.4 | 0.29 | 6.96 | 4,600 | 1.52 53.7 | 91.1 0.366 | 45 | -10 to +60 | 40,000 |
| 109P0824H201(2011) | | | 0.09 | 2.16 | 3,150 | 1.05 37.1 | 43.1 0.173 | 33 | -10 to +70 | 60,000 |
| 109P0824M201(2011) | | 0.04 | 0.96 | 2,000 | 0.65 23.0 | 18.6 0.075 | 21 | -10 to +70 | 60,000 | |
| 109P0848H201(2011) | 48 | 43 to 53 | 0.06 | 2.88 | 3,350 | 1.10 38.9 | 50.9 0.204 | 35 | -10 to +70 | 40,000 |

Dimensions (Unit : mm)



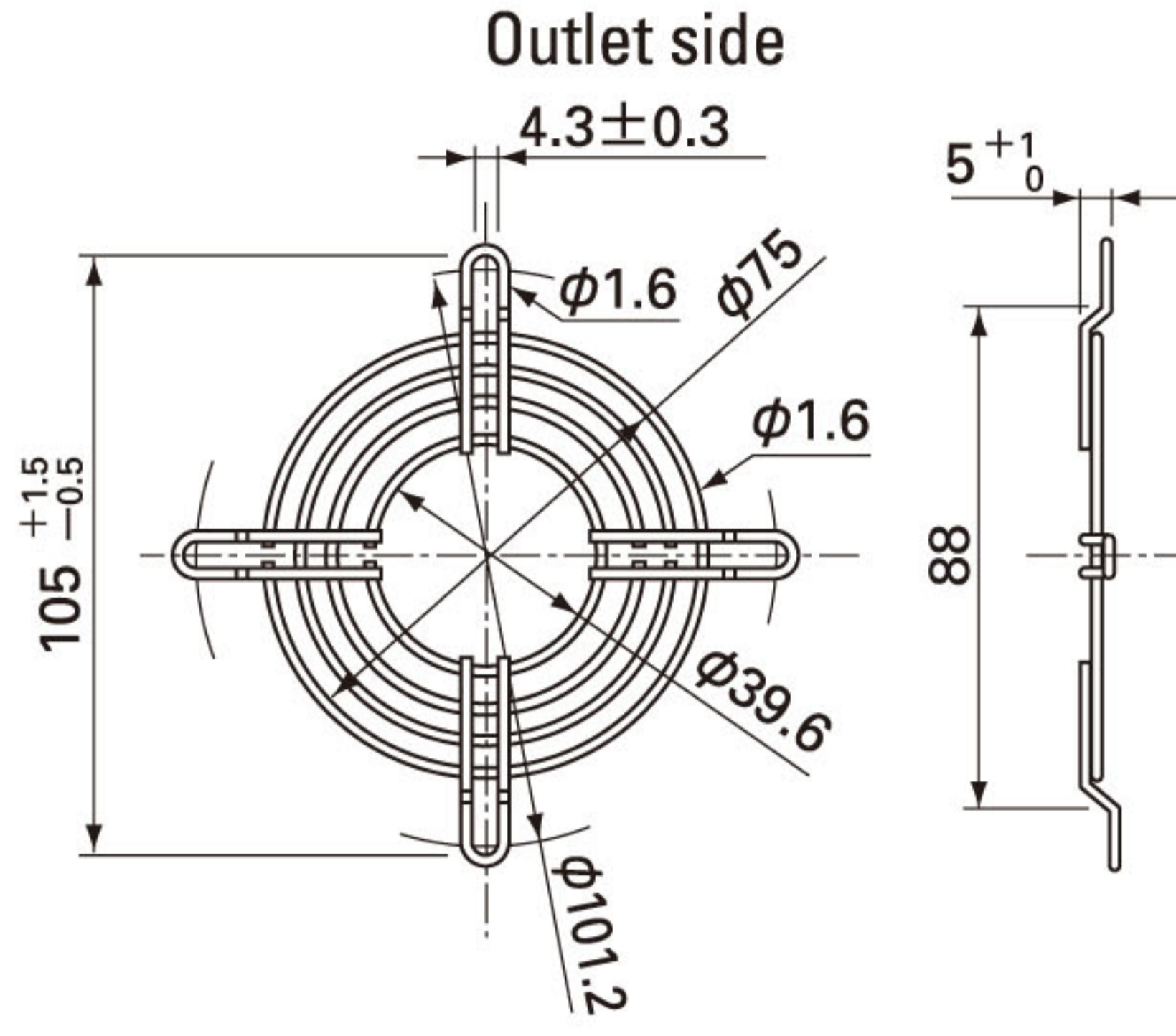
Reference dimension of mounting holes and vent opening (Unit : mm)



Options (Unit : mm)

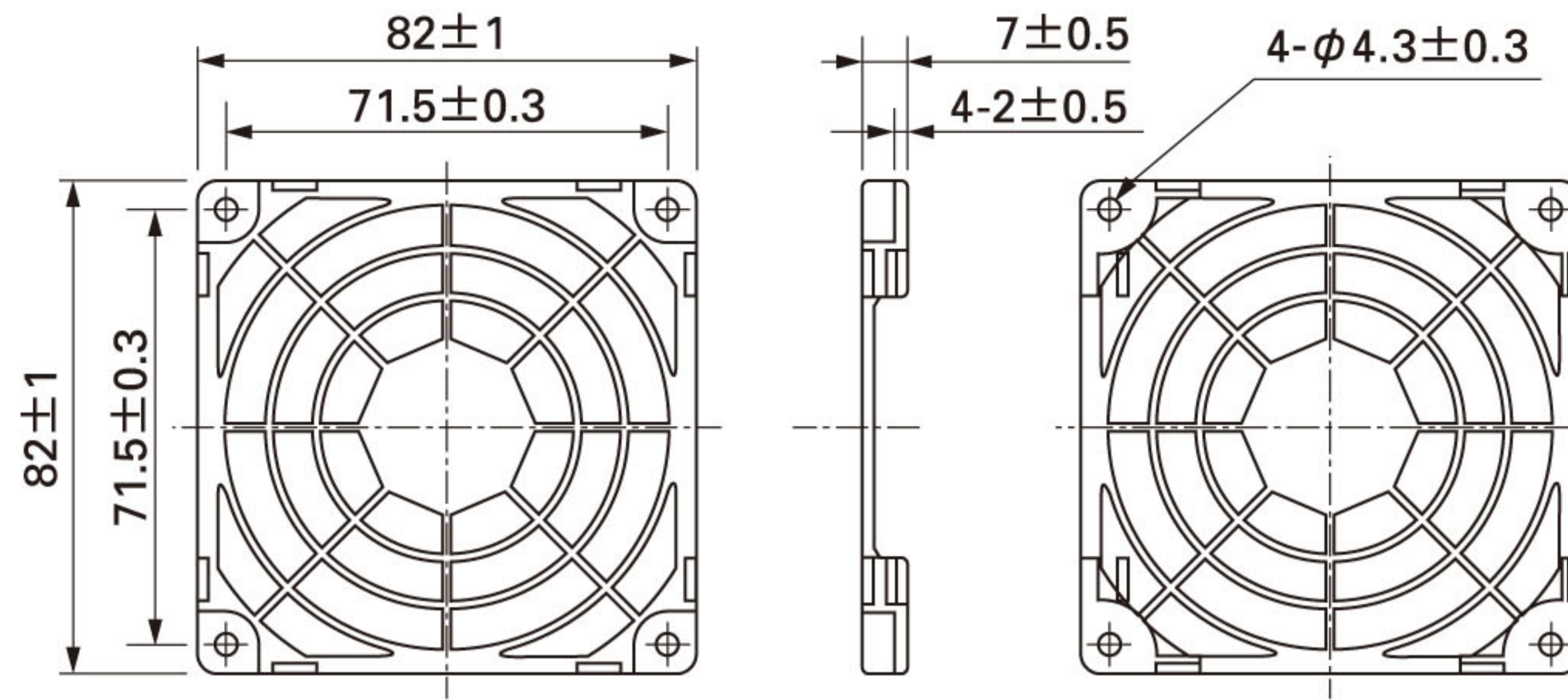
Finger guards

Model : 109-049C Surface treatment : Nickel-chrome plating (silver) Color : Nickel-chrome plating (silver)



Resin finger guards

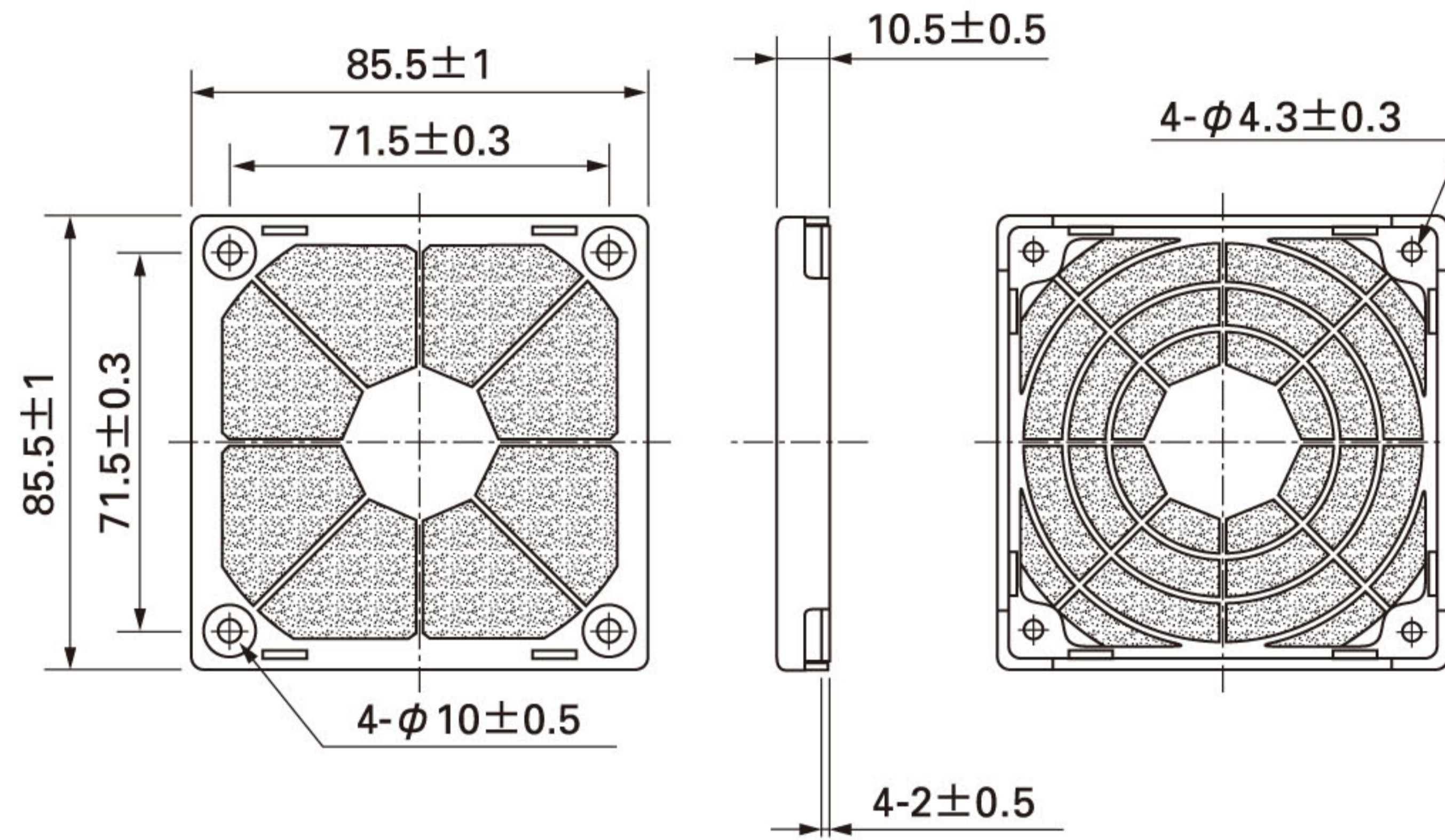
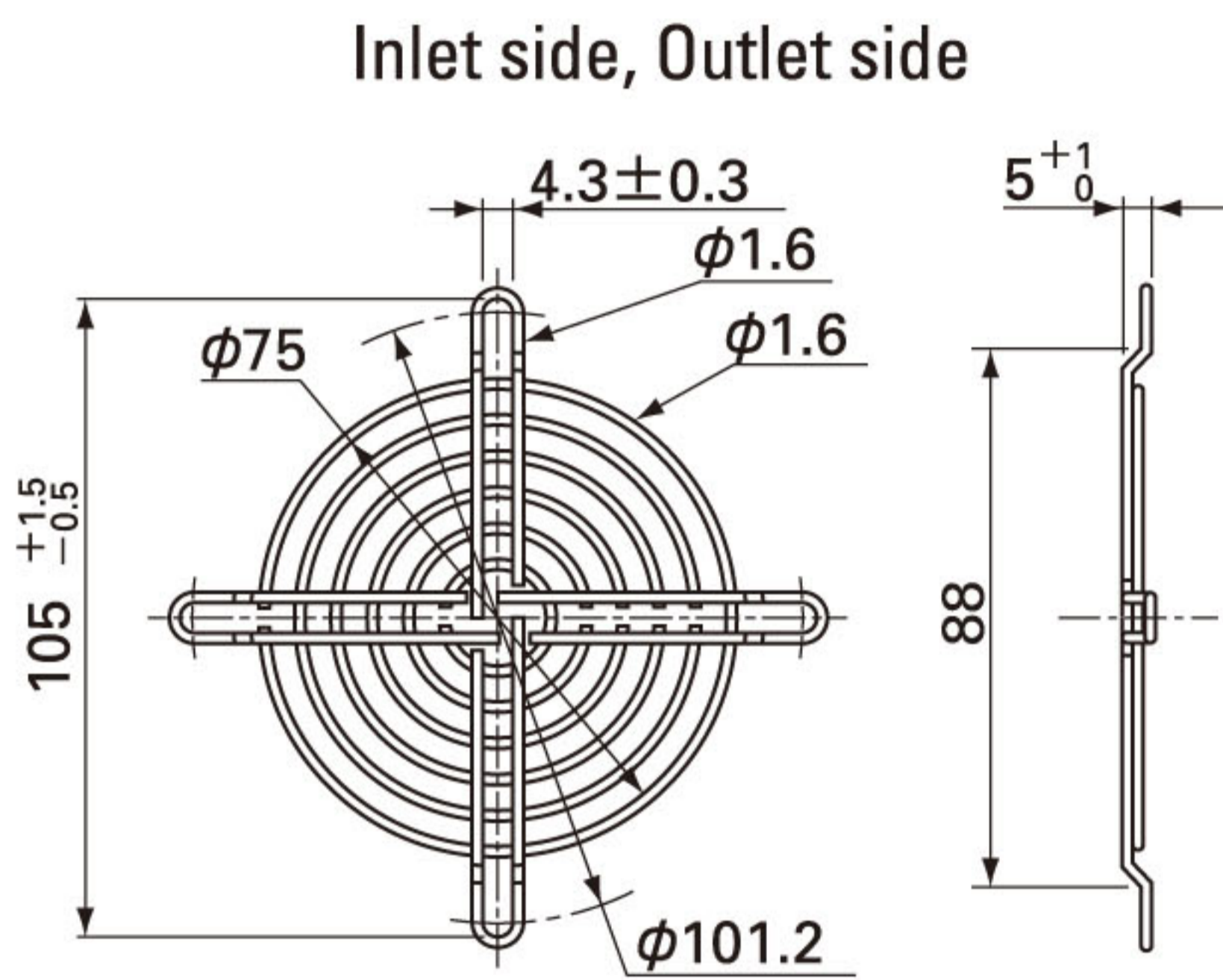
Model : 109-1002G



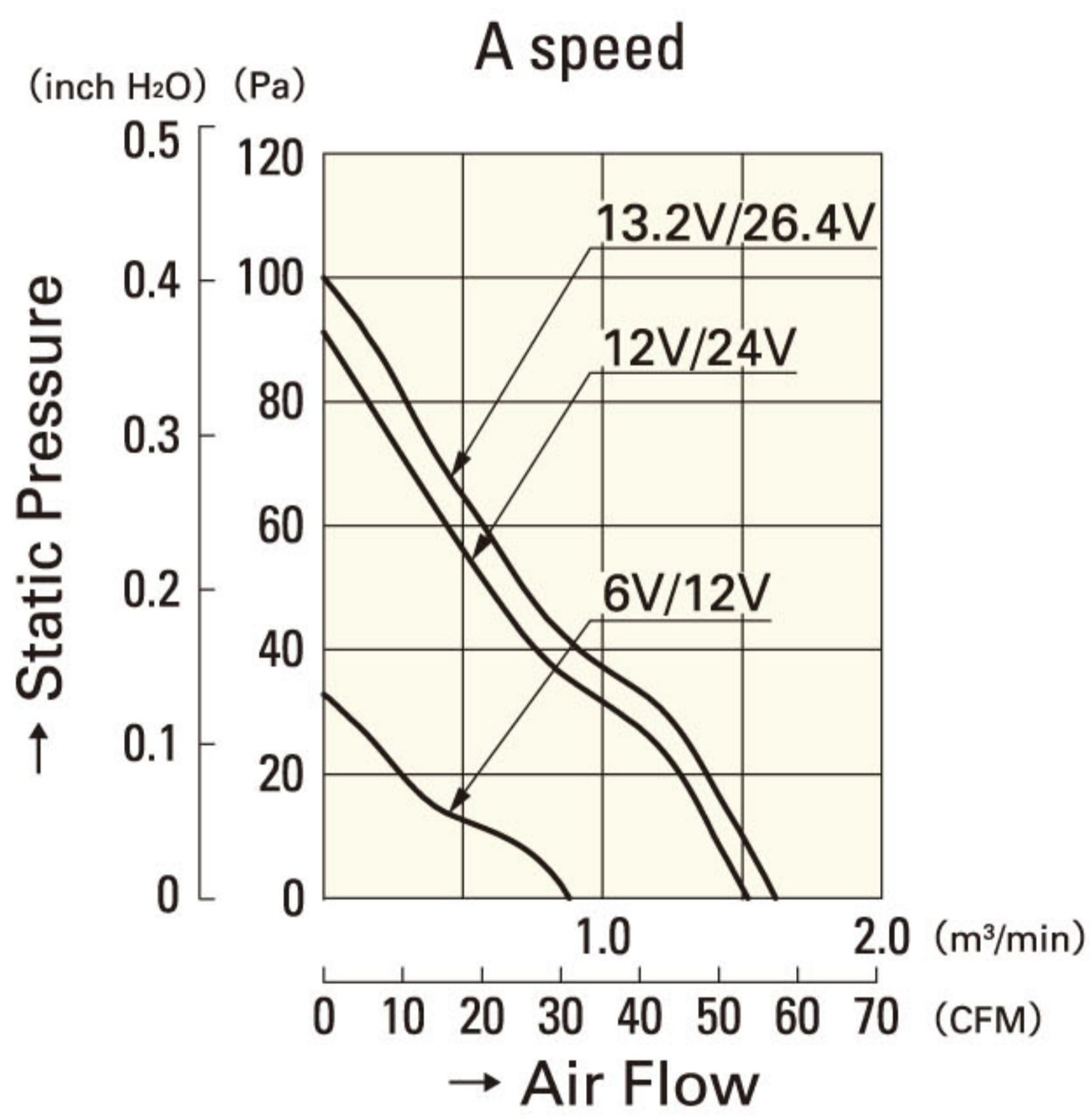
Model : 109-049E Surface treatment : Nickel-chrome plating (silver) Color : Nickel-chrome plating (silver)
: 109-049H : Cation electropainting (black)

Resin filter kits

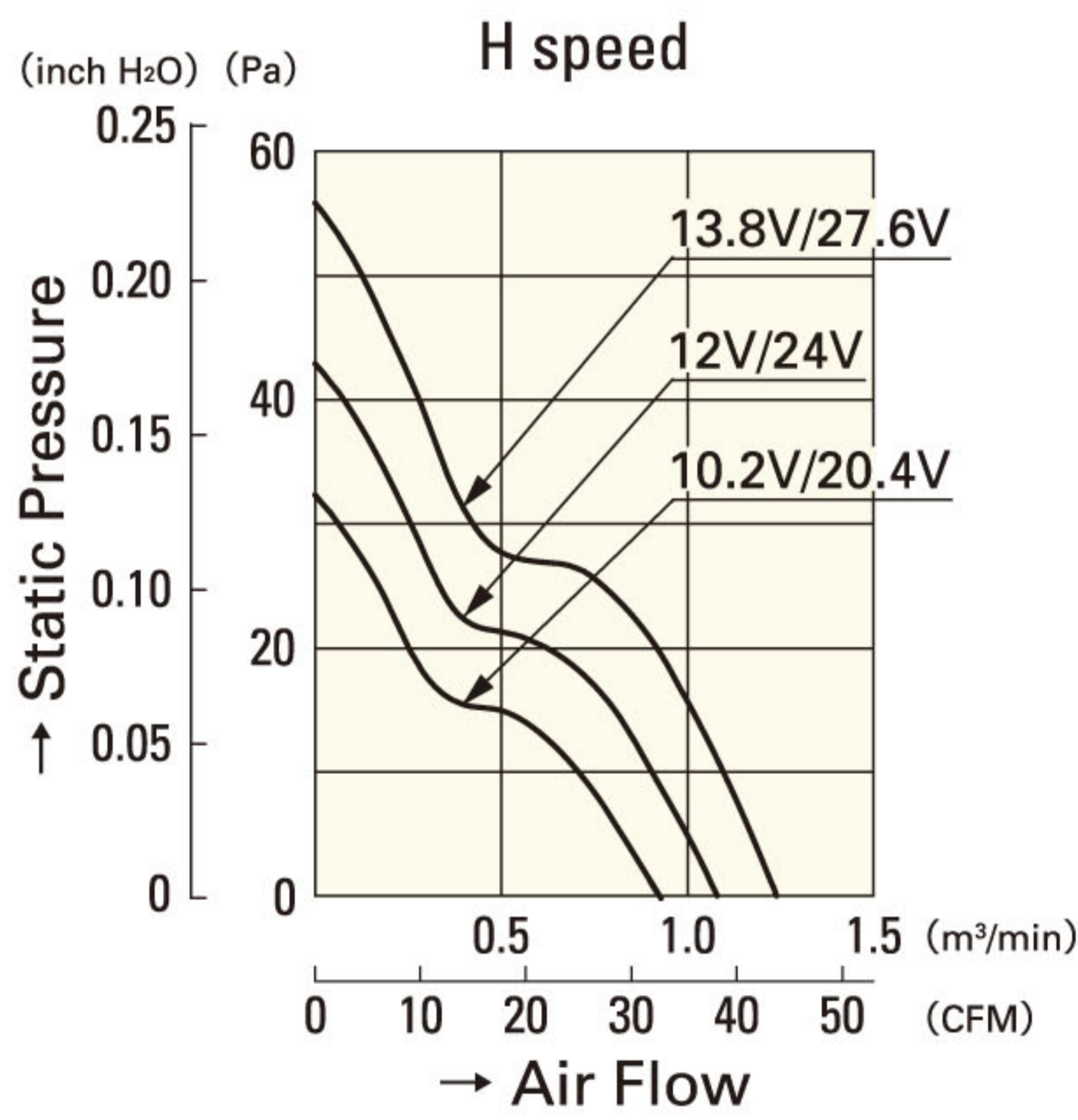
Model : 109-1002F13 (13PPI), 109-1002F20 (20PPI)
: 109-1002F30 (30PPI), 109-1002F40 (40PPI)



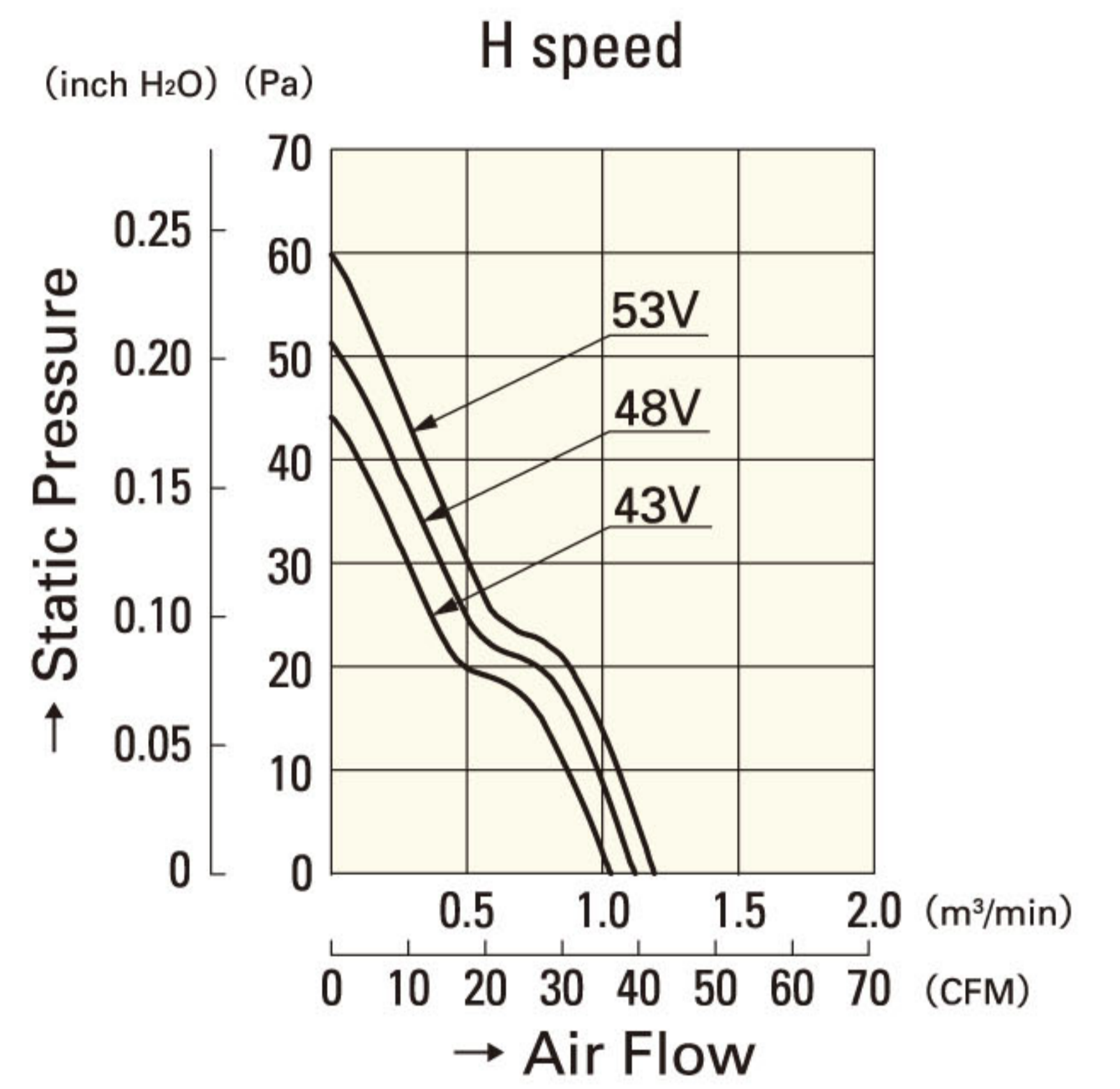
Air Flow and Static Pressure Characteristics



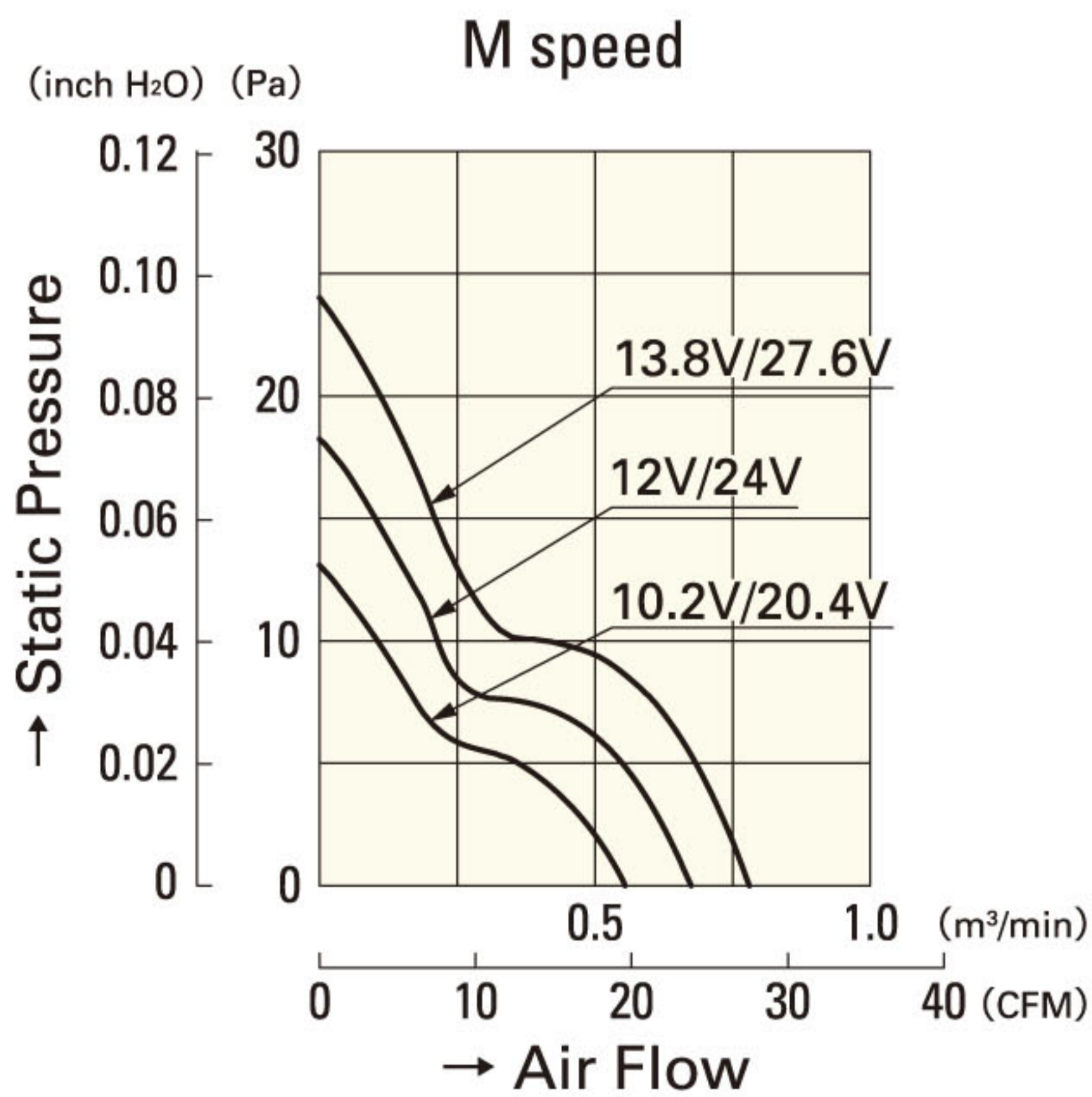
109P0812A201(2011)
109P0824A201(2011)



109P0812H201(2011)
109P0824H201(2011)



109P0848H201(2011)



109P0812M201(2011)
109P0824M201(2011)