

92mm

San Ace 92

25mm thick, 25mm thick (San Cooler)
 32mm thick (G type), 38mm thick (GV type)
 38mm thick (G type)



General Specifications With a pulse sensor Specifications for pulse sensors ⇔ Refer to Page 239

*Please inquire about other specifications.

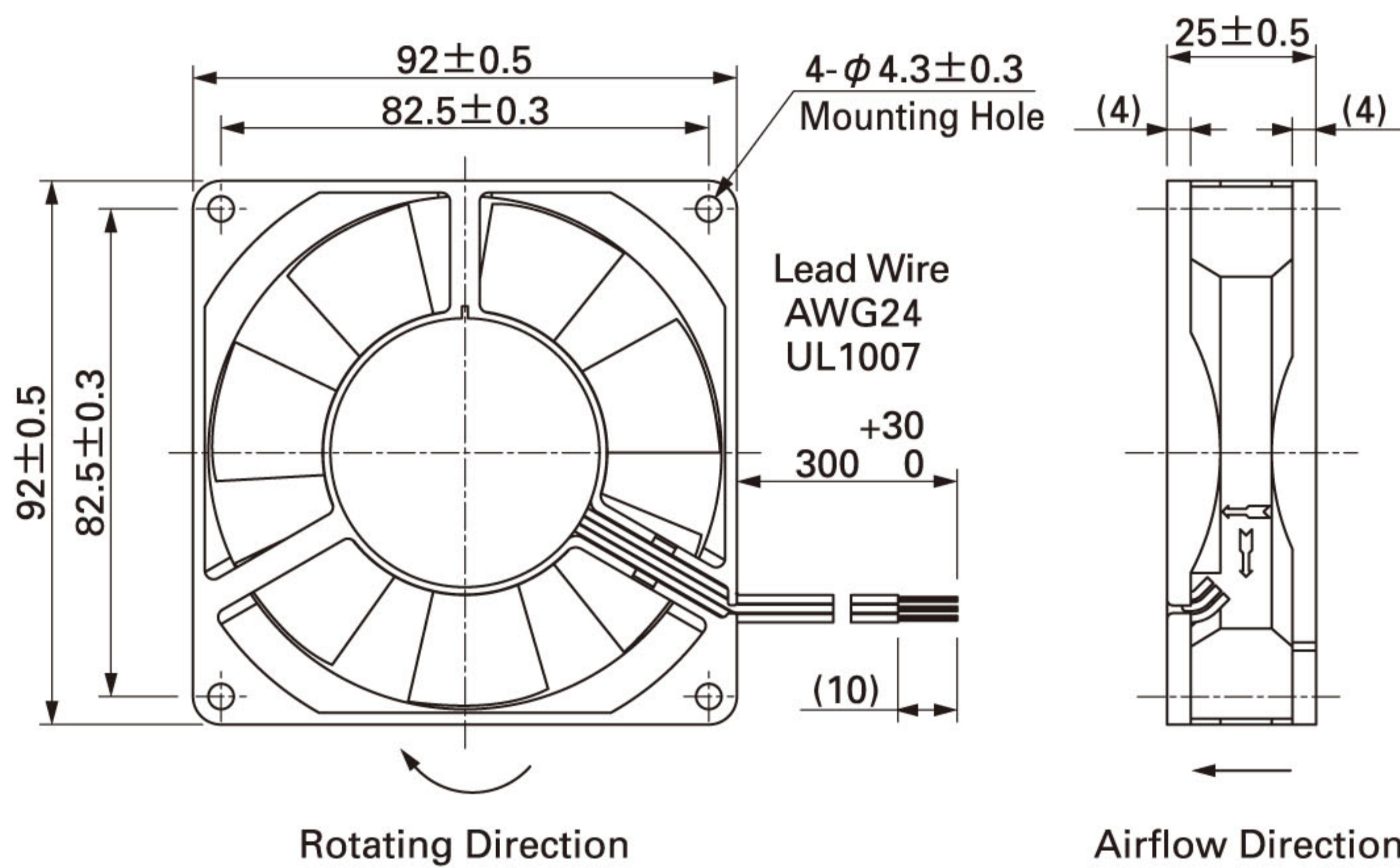
- Material Frame: Plastics (Flammability: UL94V-0),
 Impeller: Plastics (Flammability: UL94V-1)
- Life Expectancy Varies for each model (L10: Survival rate: 90% at 60°C,
 rated voltage, and continuously run in a free air state)
- Lead Wire ⊕red ⊖black Sensor yellow
- Storage Temperature ... -30°C to +70°C (Non-condensing)

92mm × 25mm thick [Mass : 150g]

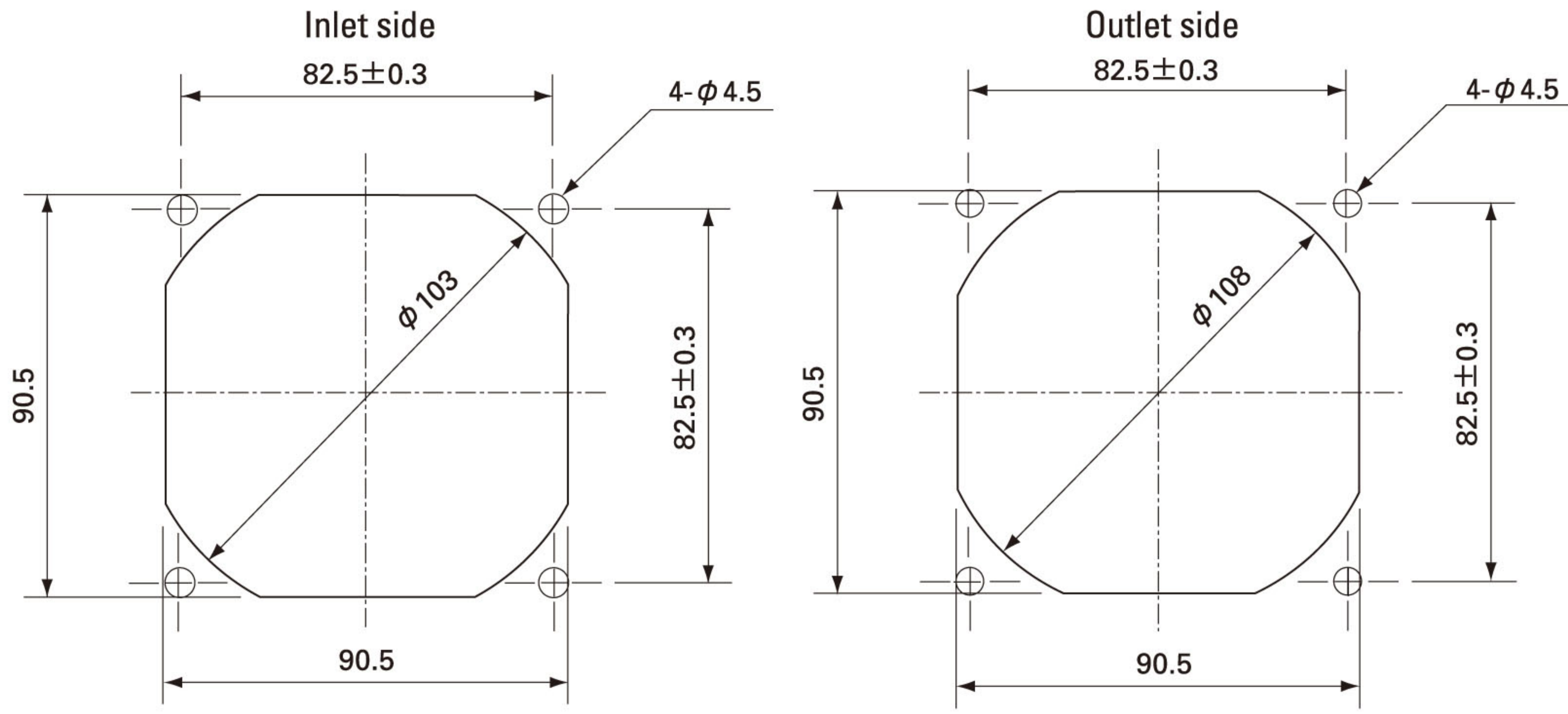
Specifications The numbers in () represent ribless models.

Model No.	Rated Voltage (V)	Operating Voltage Range (V)	Rated Current (A)	Rated Input (W)	Rated Speed (min ⁻¹)	Air Flow (m ³ /min) (CFM)	Static Pressure (Pa) (inchH ₂ O)	SPL (dB(A))	Operating Temperature Range (°C)	Life Expectancy (h)
109P0912W401(4011)	12	6 to 16	0.21	2.52	2,850	1.45 51.2	45.1 0.181	33	-10 to +70	40,000
109P0912H401(4011)			0.21	2.52	2,850	1.45 51.2	45.1 0.181	33		
109P0912F401(4011)		10.2 to 13.8	0.14	1.68	2,450	1.24 43.8	32.3 0.130	30		
109P0912M401(4011)			0.1	1.2	2,100	1.04 36.7	23.5 0.094	27		
109P0912L401(4011)			0.07	0.84	1,700	0.8 28.3	16.7 0.067	23		
109P0924W401(4011)	24	12 to 30	0.12	2.88	2,850	1.45 51.2	45.1 0.181	33		
109P0924H401(4011)			0.12	2.88	2,850	1.45 51.2	45.1 0.181	33		
109P0924F401(4011)		20.4 to 27.6	0.08	1.92	2,450	1.24 43.8	32.3 0.130	30		
109P0924M401(4011)			0.06	1.44	2,100	1.04 36.7	23.5 0.094	27		
109P0924L401(4011)			0.05	1.2	1,700	0.8 28.3	16.7 0.067	23		
109P0948H401(4011)	48	43 to 53	0.06	2.88	2,850	1.45 51.2	45.1 0.181	33		

Dimensions (Unit : mm)



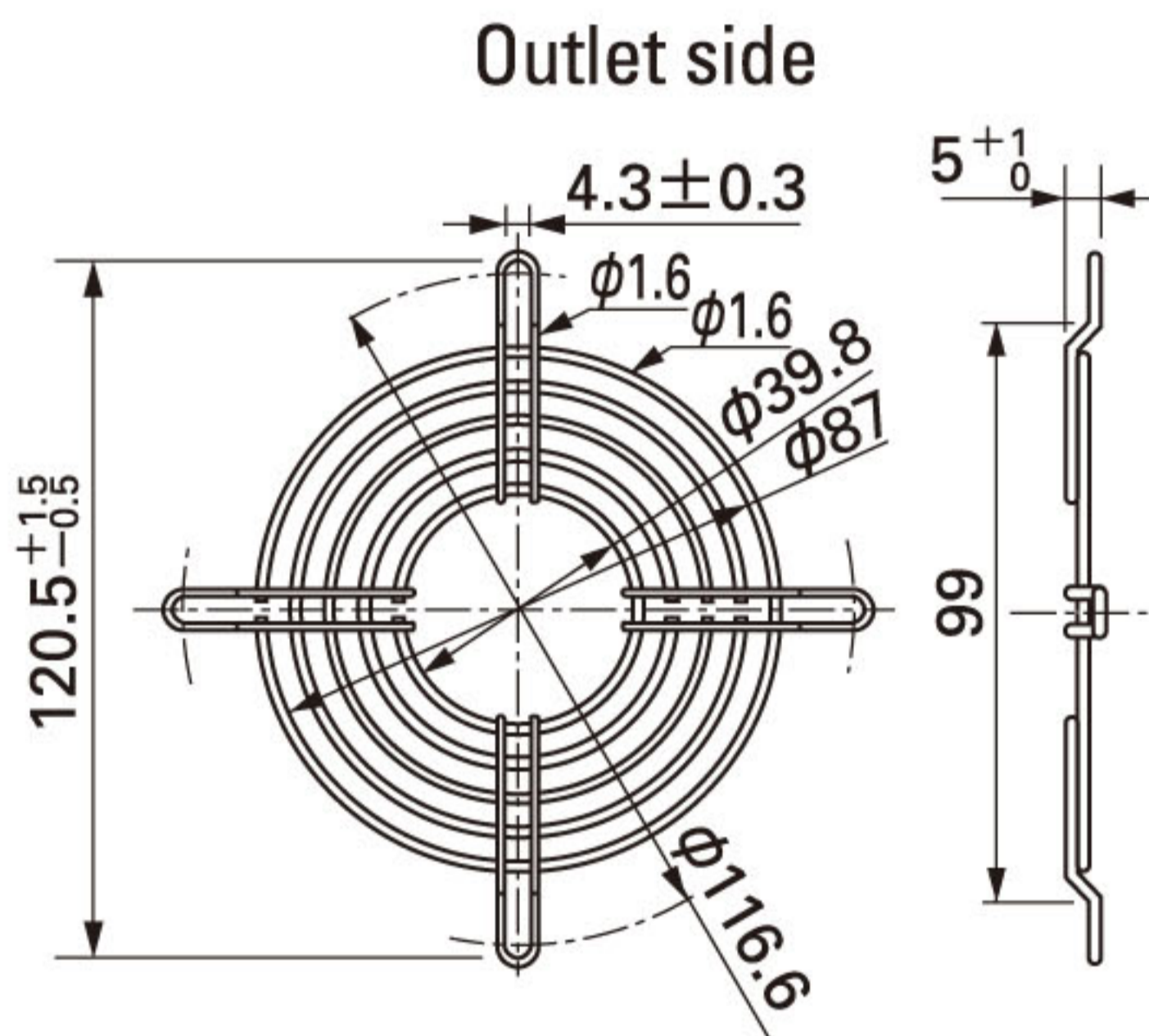
Reference dimension of mounting holes and vent opening (Unit : mm)



Options (Unit : mm)

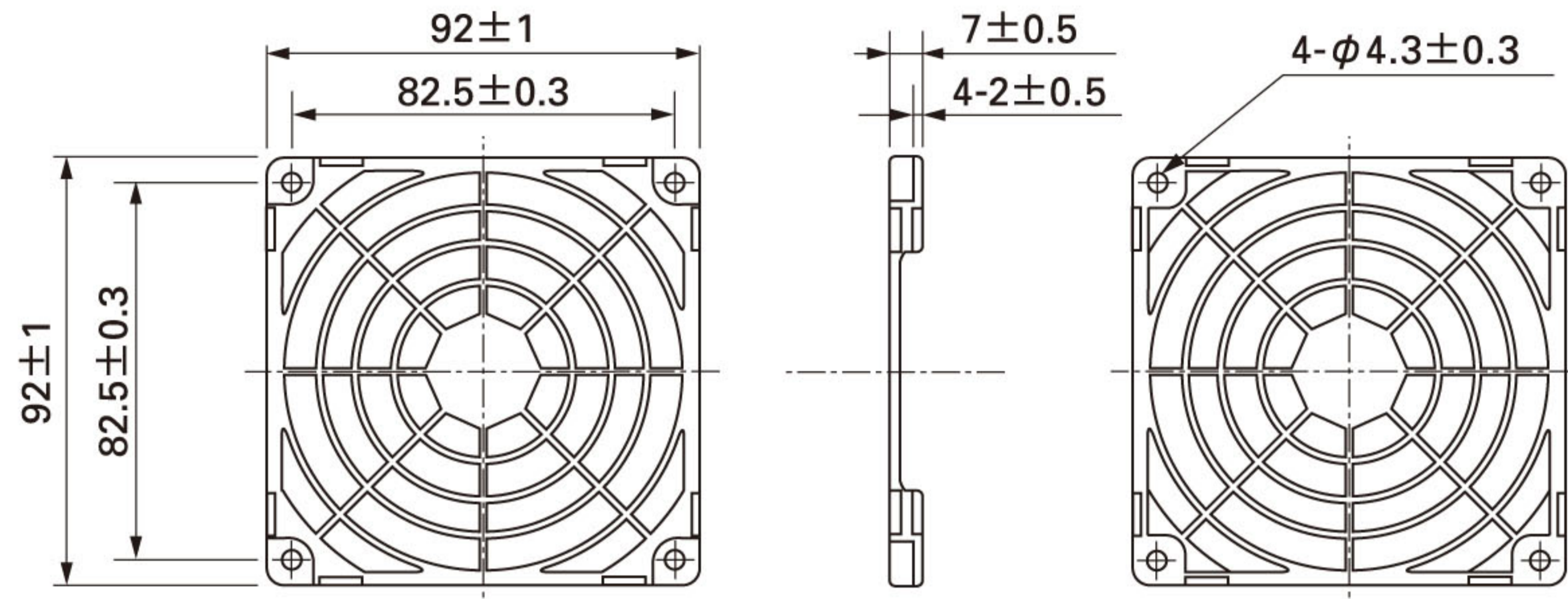
Finger guards

Model : 109-099C Surface treatment : Nickel-chrome plating (silver) Color : Nickel-chrome plating (silver)

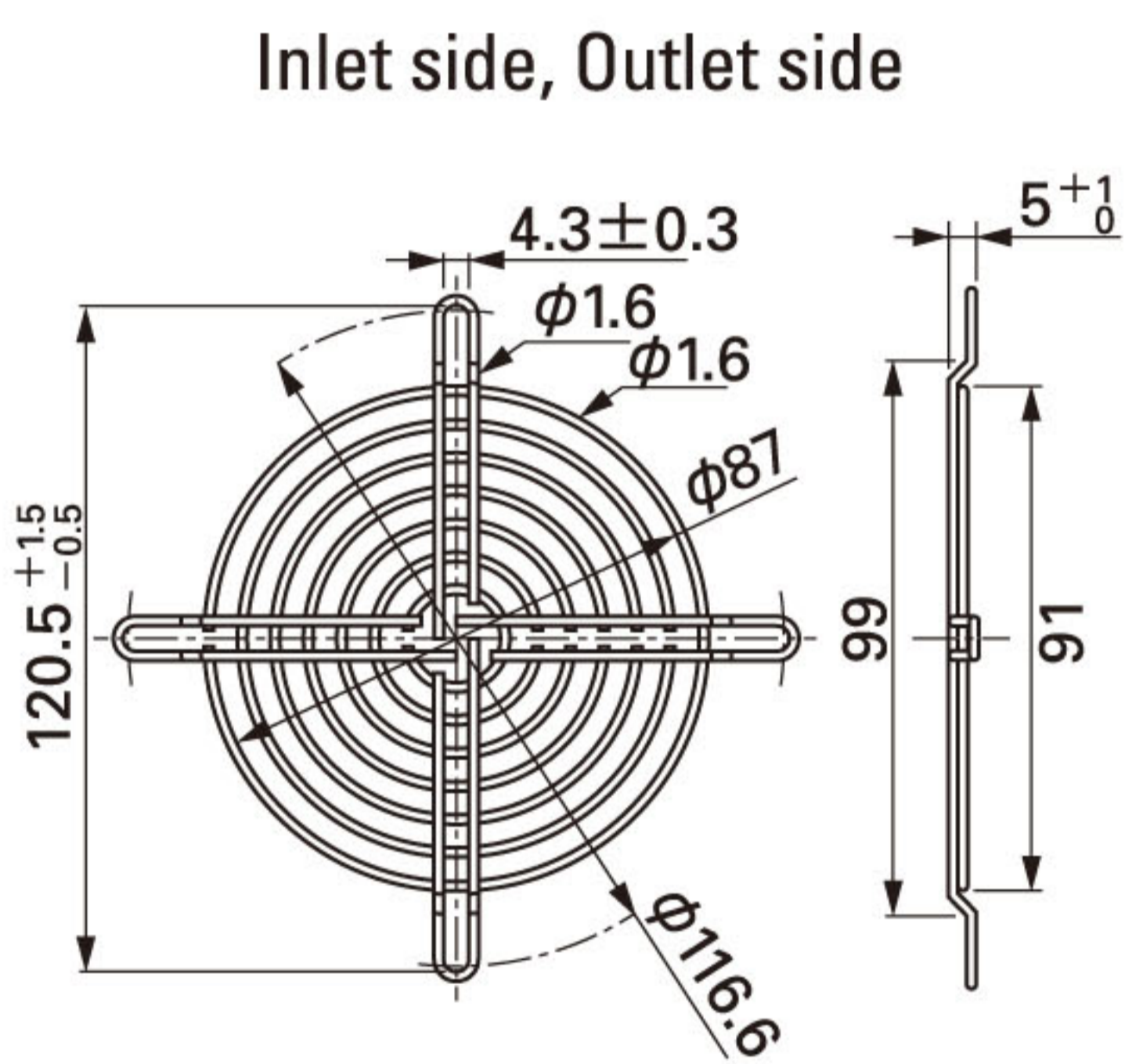


Resin finger guards

Model : 109-1001G

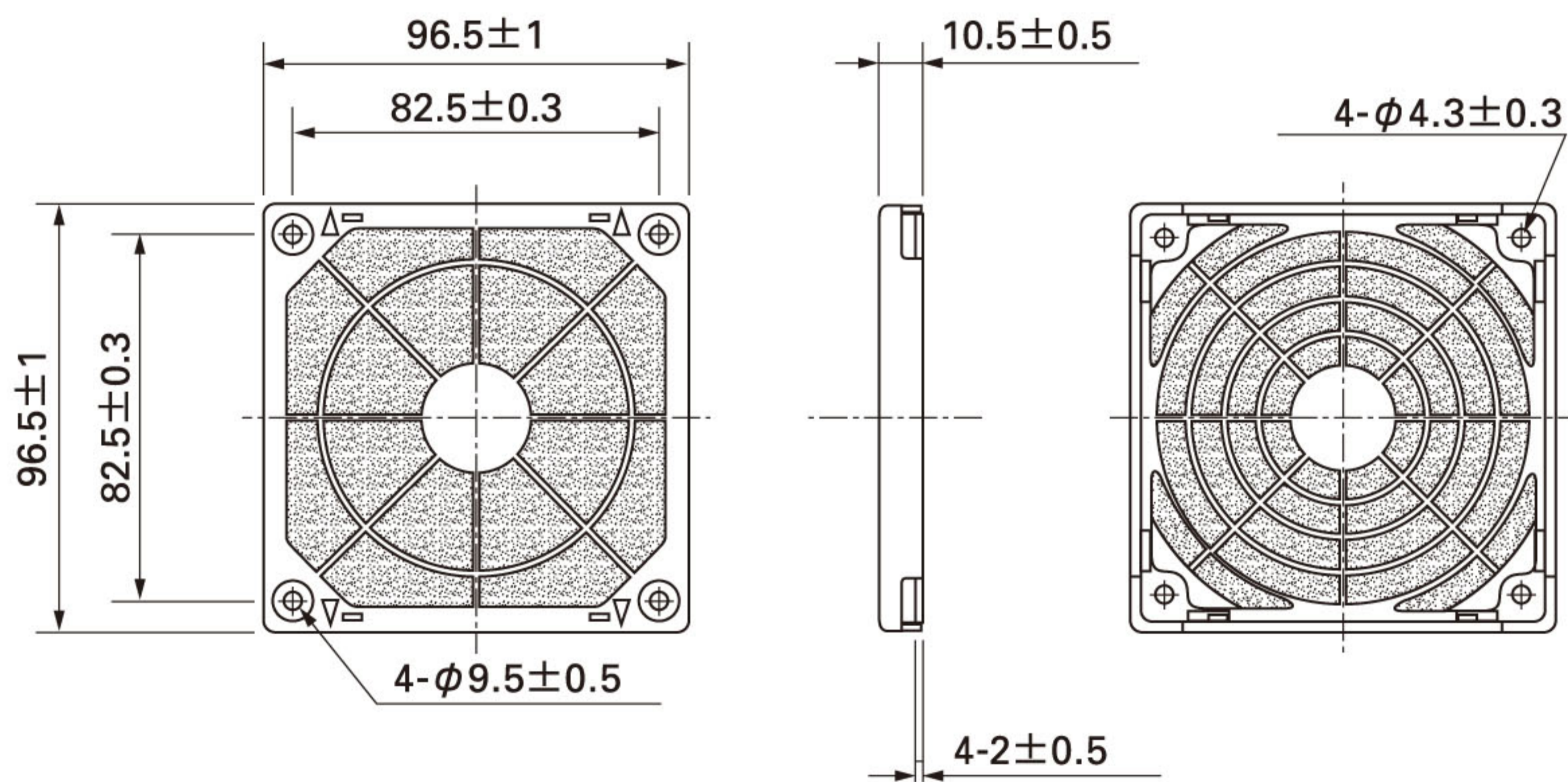


Model : 109-099E Surface treatment : Nickel-chrome plating (silver) Color : Nickel-chrome plating (silver)
 : 109-099H : Cation electropainting (black)



Resin filter kits

Model : 109-1001F13 (13PPI), 109-1001F20 (20PPI)
 : 109-1001F30 (30PPI), 109-1001F40 (40PPI)

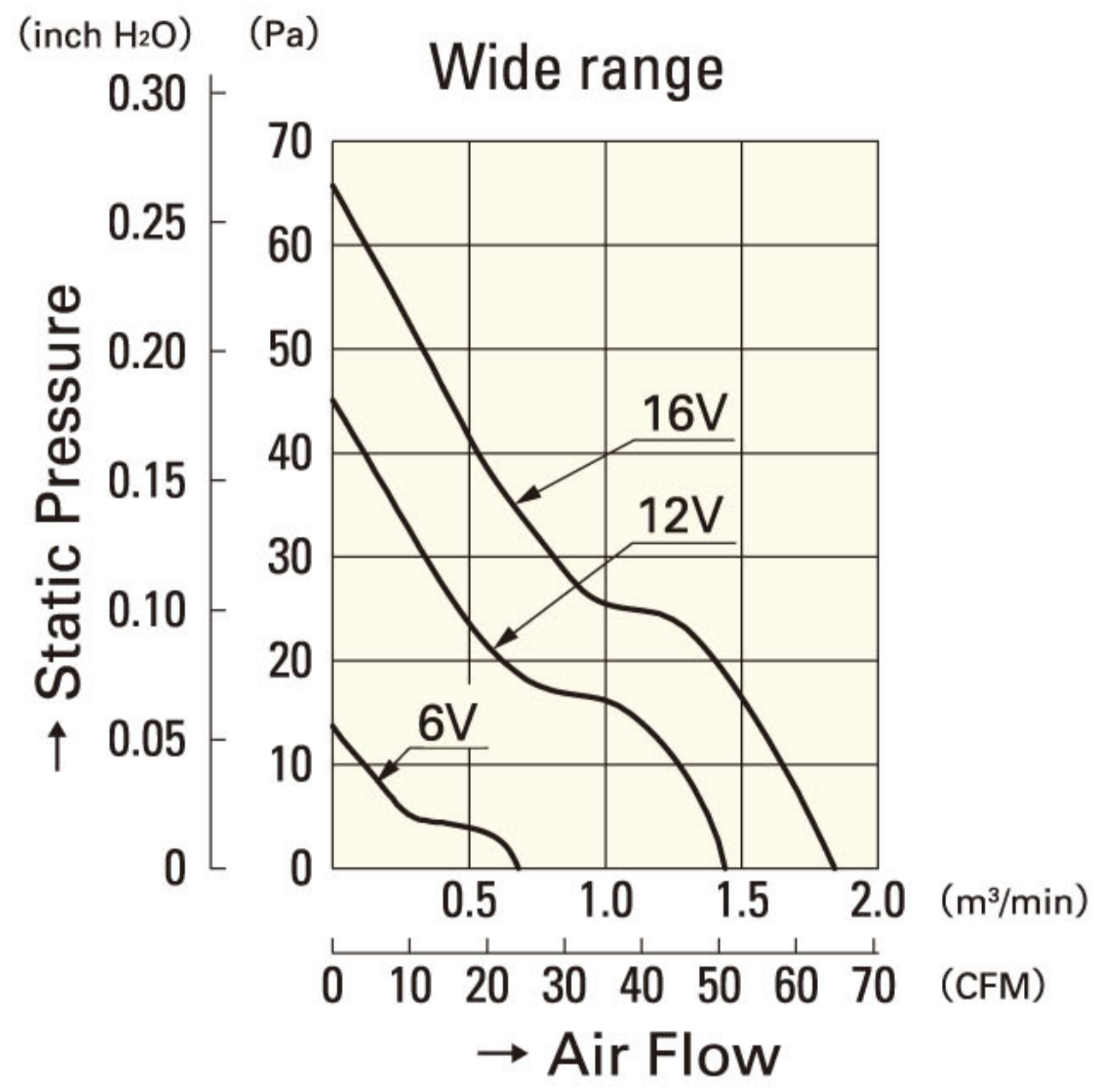


92mm

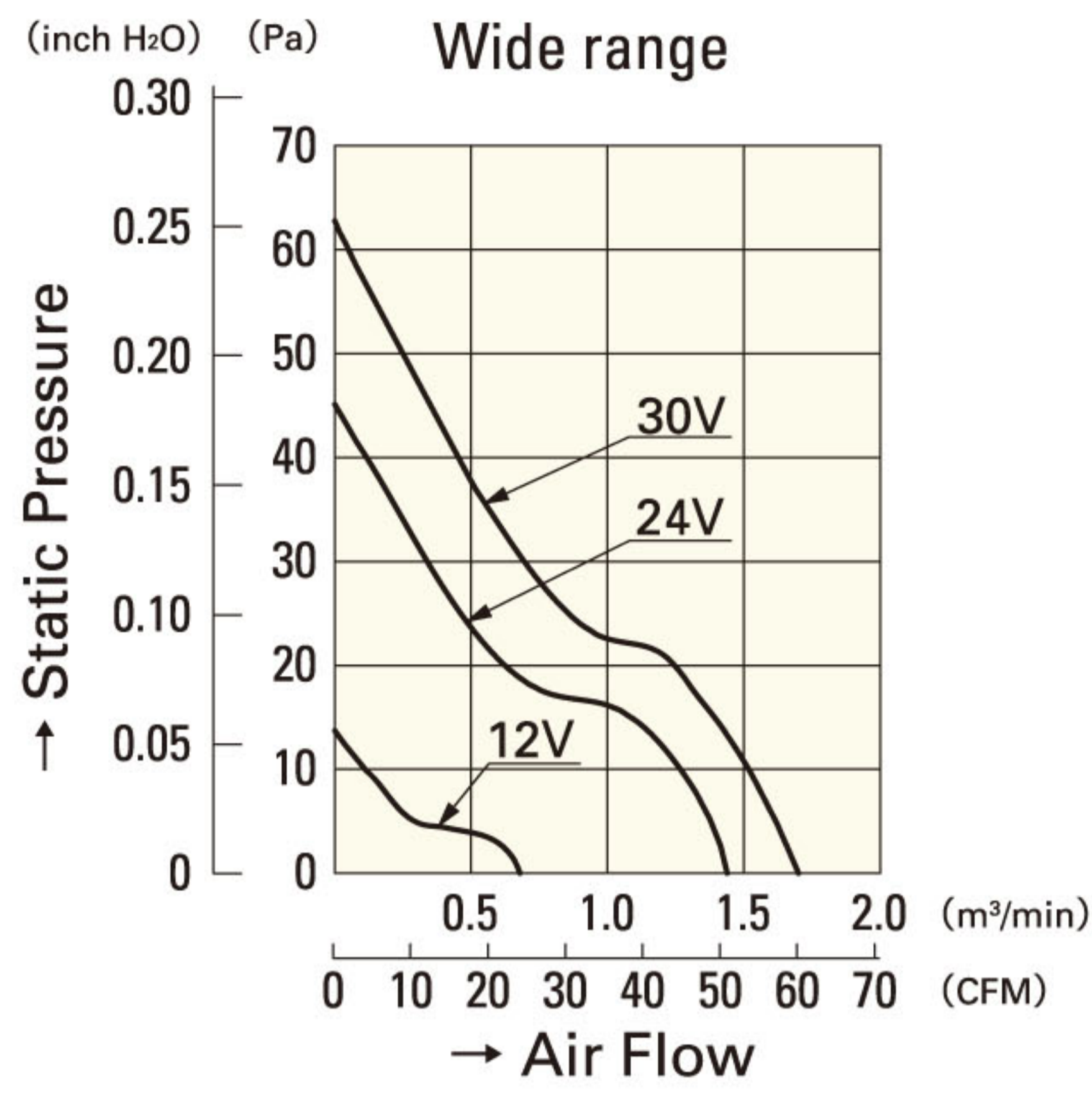
San Ace 92

92mm × 25mm thick (Mass : 150g)

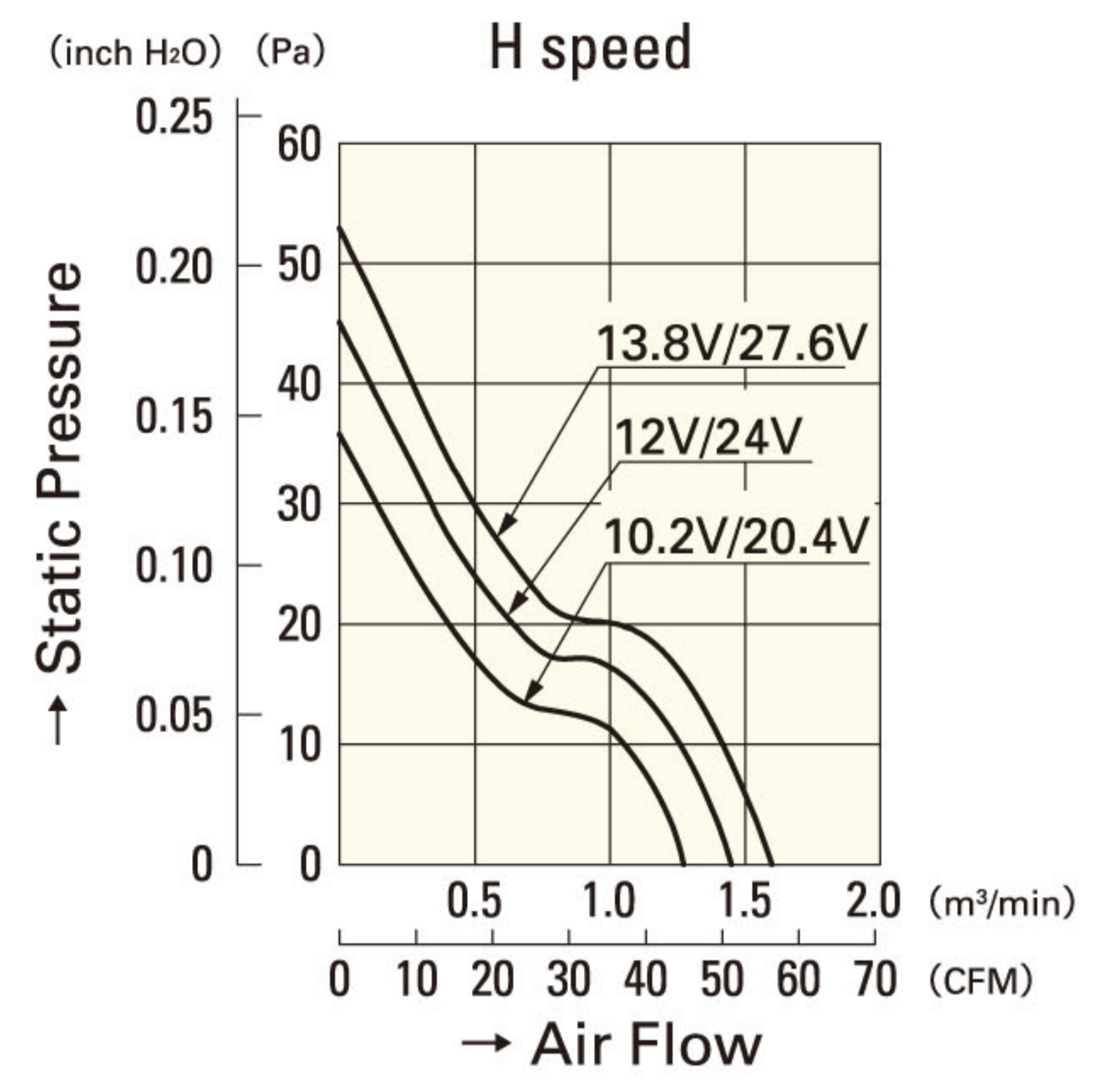
Air Flow and Static Pressure Characteristics



109P0912W401(4011)

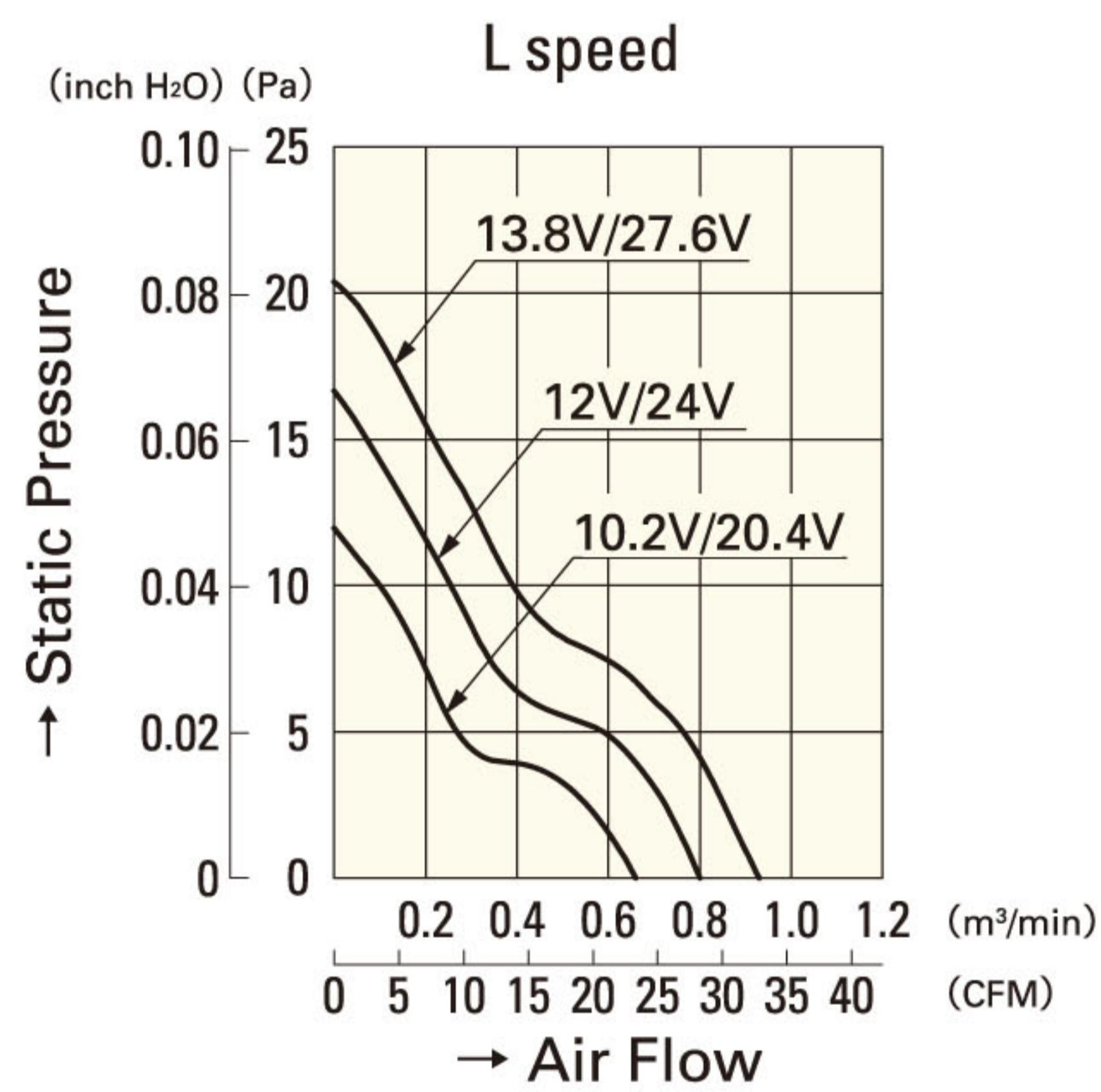


109P0924W401(4011)



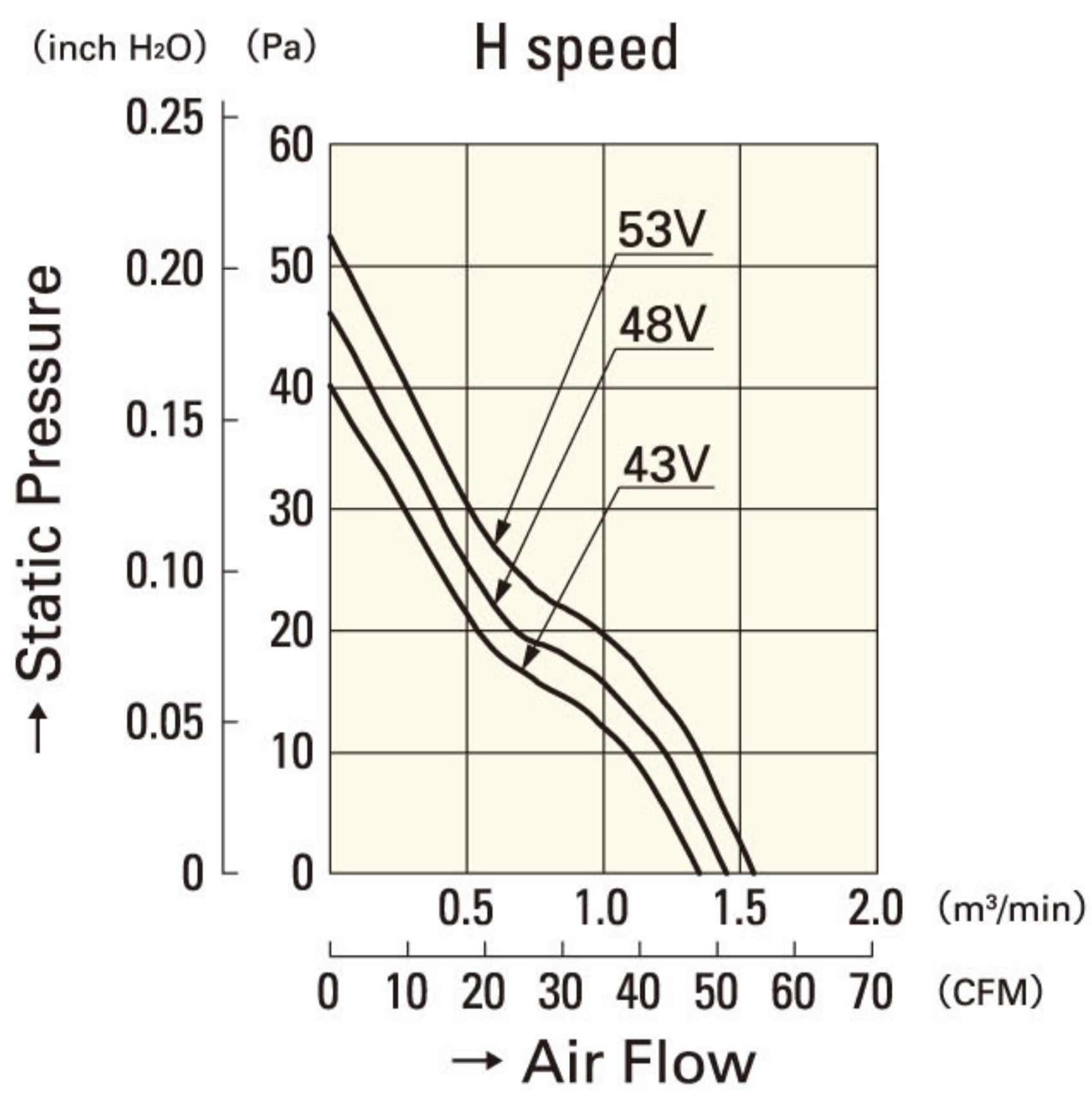
109P0912H401(4011)

109P0924H401(4011)

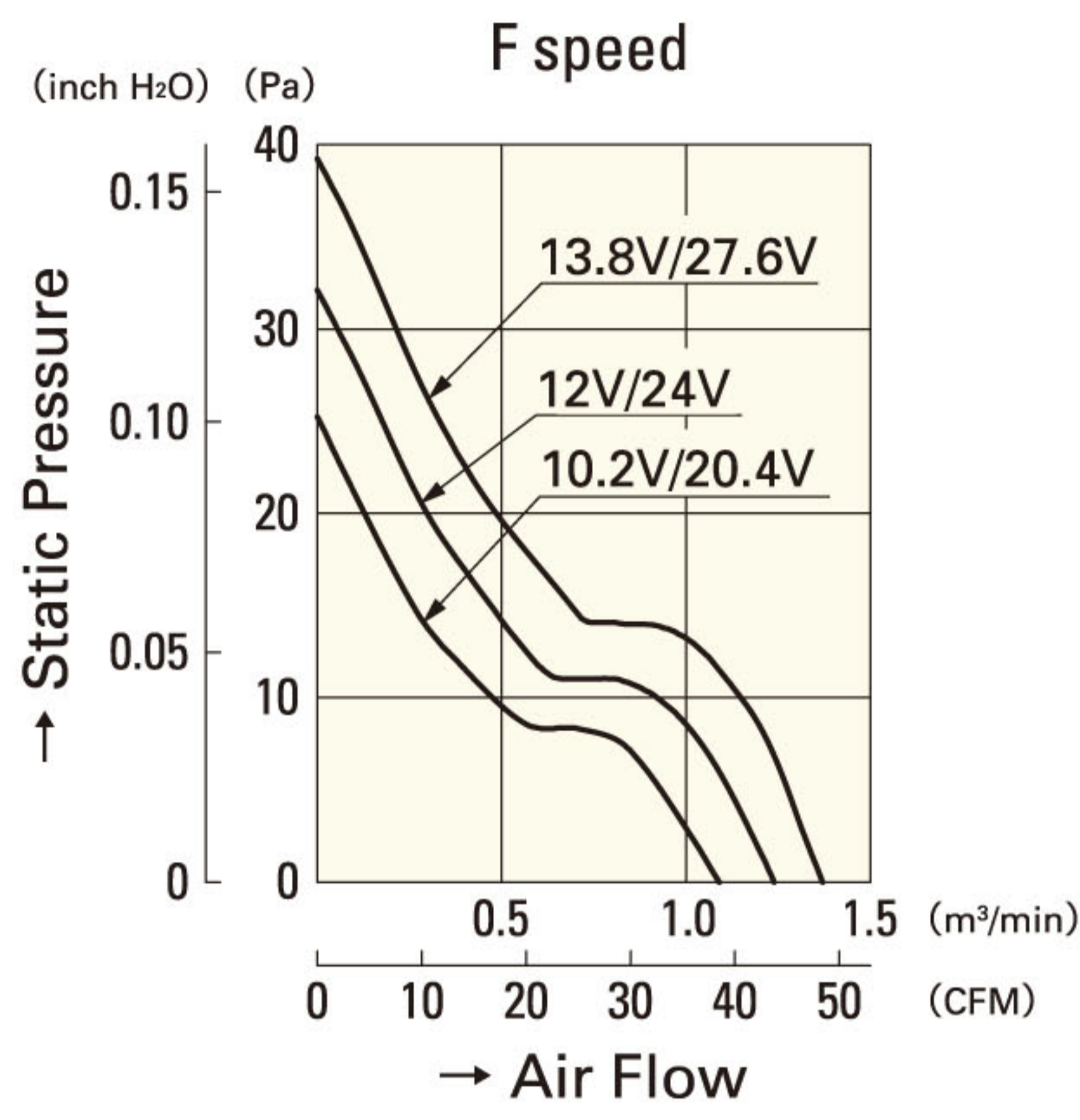


109P0912L401(4011)

109P0924L401(4011)

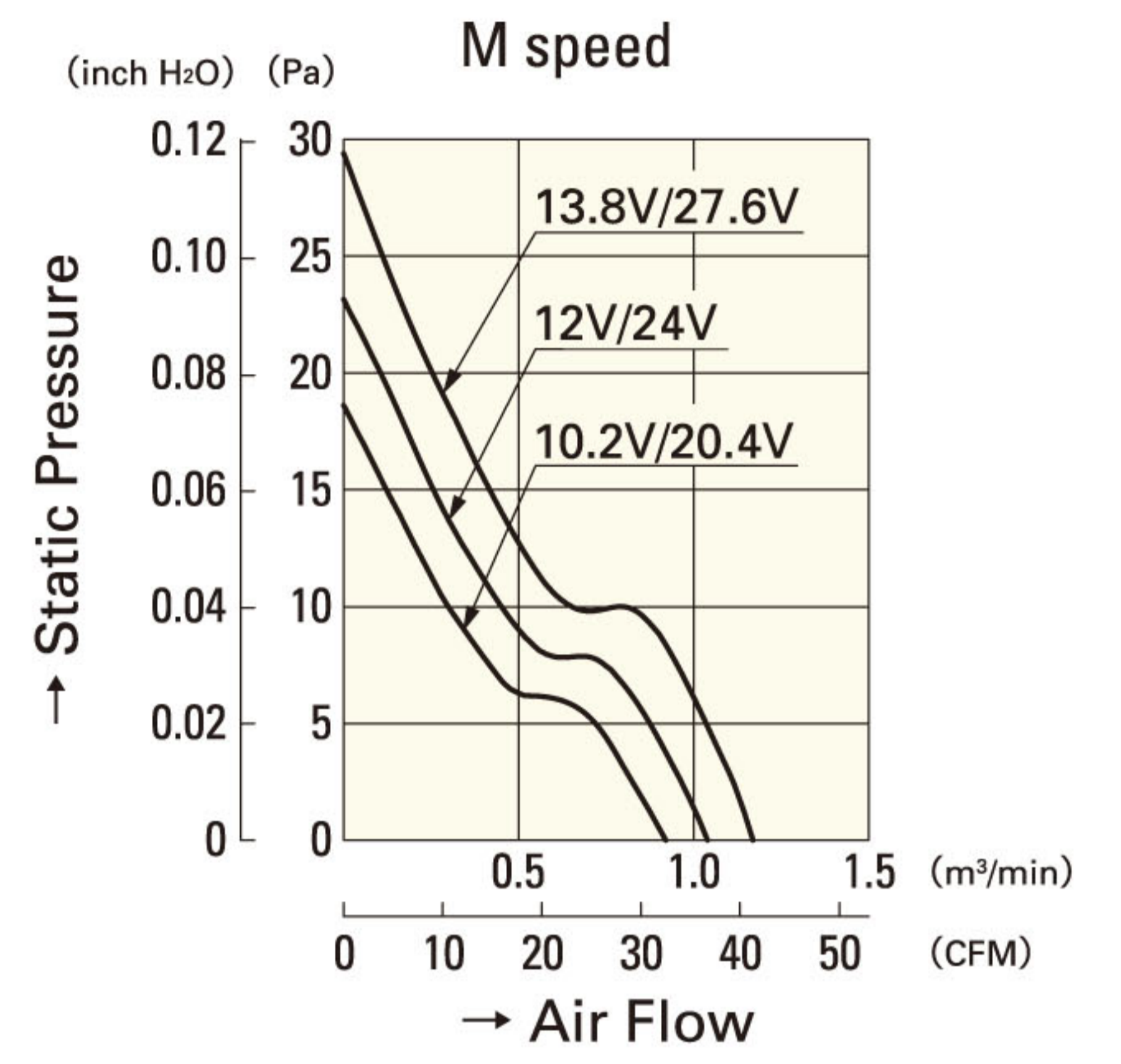


109P0948H401(4011)



109P0912F401(4011)

109P0924F401(4011)



109P0912M401(4011)

109P0924M401(4011)