

60mm

San Ace 60

15mm thick, 20mm thick, 25mm thick
 25mm thick (San Cooler)
 38mm thick (G type)



General Specifications With a pulse sensor Specifications for pulse sensors ⇨ Refer to Page 239

*Please inquire about other specifications.

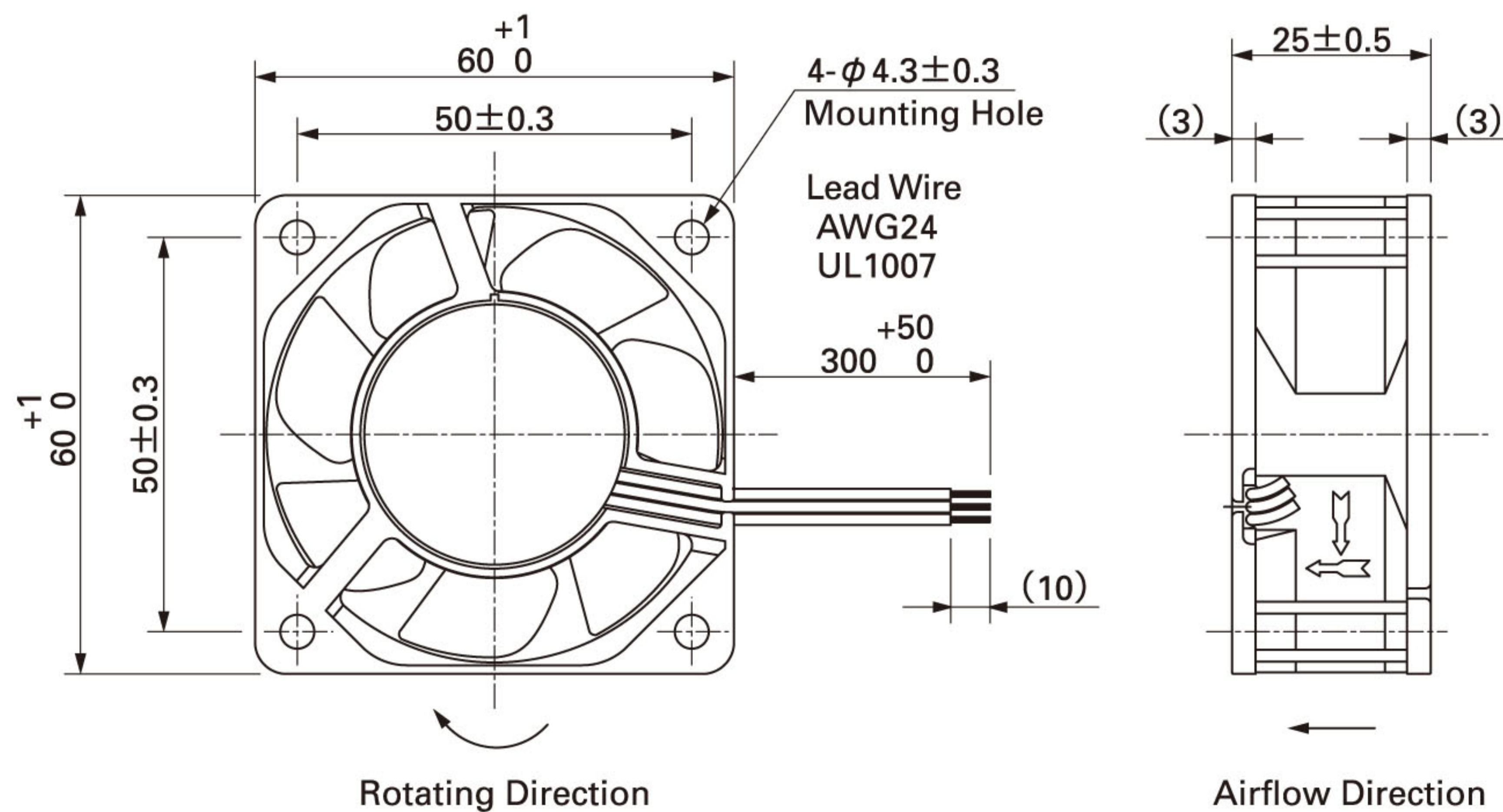
- Material Frame: Plastics (Flammability: UL94V-0),
 Impeller: Plastics (Flammability: UL94V-1)
- Life Expectancy Varies for each model (L10: Survival rate: 90% at 60°C,
 rated voltage, and continuously run in a free air state)
- Lead Wire ⊕red ⊖black Sensor yellow
- Storage Temperature ... -30°C to +70°C (Non-condensing)

60mm × 25mm thick (Mass : 90g)

Specifications The numbers in () represent ribless models.

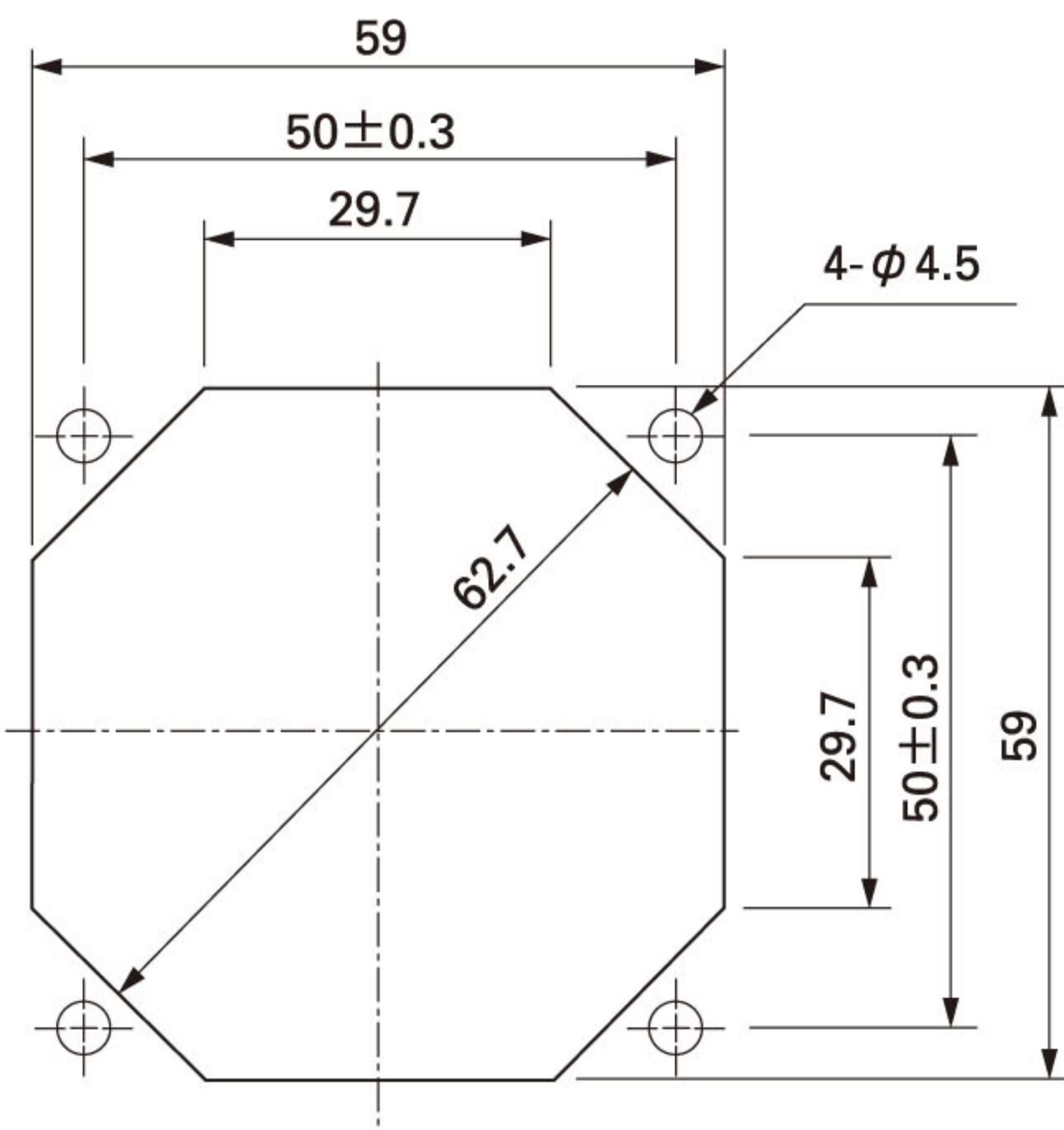
Model No.	Rated Voltage (V)	Operating Voltage Range (V)	Rated Current (A)	Rated Input (W)	Rated Speed (min ⁻¹)	Air Flow (m ³ /min) (CFM)		Static Pressure (Pa) (inchHzO)		SPL (dB[A])	Operating Temperature Range (°C)	Life Expectancy (h)
109R0605H401(4011)	5	4.5 to 5.5	0.34	1.70	3,800	0.53	18.7	40.2	0.161	28	-10 to +70	60,000
109R0605F401(4011)			0.20	1.00	3,200	0.44	15.5	29.4	0.118	24	-10 to +60	
109R0605M401(4011)			0.13	0.65	2,600	0.36	12.7	19.6	0.079	20	-10 to +70	
109R0612J401(4011)	12	10.8 to 13.2	0.47	5.64	7,600	1.05	37.1	155.0	0.622	44	-10 to +60	40,000
109R0612G401(4011)			0.24	2.88	5,600	0.78	27.5	88.0	0.353	39	-10 to +70	
109R0612D401(4011)		10.2 to 13.8	0.21	2.52	5,150	0.72	25.4	73.5	0.295	37		
109R0612S401(4011)			0.17	2.04	4,600	0.65	23.0	56.8	0.228	33		
109R0612H401(4011)			6 to 13.8	0.11	1.32	3,800	0.53	18.7	40.1	0.161		28
109R0612F401(4011)		0.09		1.08	3,200	0.44	15.5	29.4	0.118	24		
109R0612M401(4011)		7 to 13.8	0.06	0.72	2,600	0.36	12.7	19.6	0.079	20		
109R0624J401(4011)		24	21.6 to 26.4	0.24	5.76	7,600	1.05	37.1	155.0	0.622	44	-10 to +60
109R0624G401(4011)	20.4 to 27.6		0.13	3.12	5,600	0.78	27.5	88.0	0.353	39		
109R0624D401(4011)	12 to 27.6		0.12	2.88	5,150	0.72	25.4	73.5	0.295	37	-10 to +70	
109R0624S401(4011)			0.08	1.92	4,600	0.65	23.0	56.8	0.228	33		
109R0624H401(4011)			0.06	1.44	3,800	0.53	18.7	40.2	0.161	28		
109R0624F401(4011)			0.05	1.20	3,200	0.44	15.5	29.4	0.118	24		
109R0624M401(4011)	14 to 27.6		0.04	0.96	2,600	0.36	12.7	19.6	0.079	20		
109R0648J401(4011)	48		43.2 to 52.8	0.12	5.76	7,600	1.05	37.1	155.0	0.622	44	-10 to +60
109R0648G401(4011)		43 to 53	0.07	3.36	5,600	0.78	27.5	88.0	0.353	39		
109R0648H401(4011)		40 to 53	0.04	1.92	3,800	0.53	18.7	40.2	0.161	28	-10 to +70	60,000

Dimensions (Unit : mm)



Reference dimension of mounting holes and vent opening (Unit : mm)

Inlet side, Outlet side



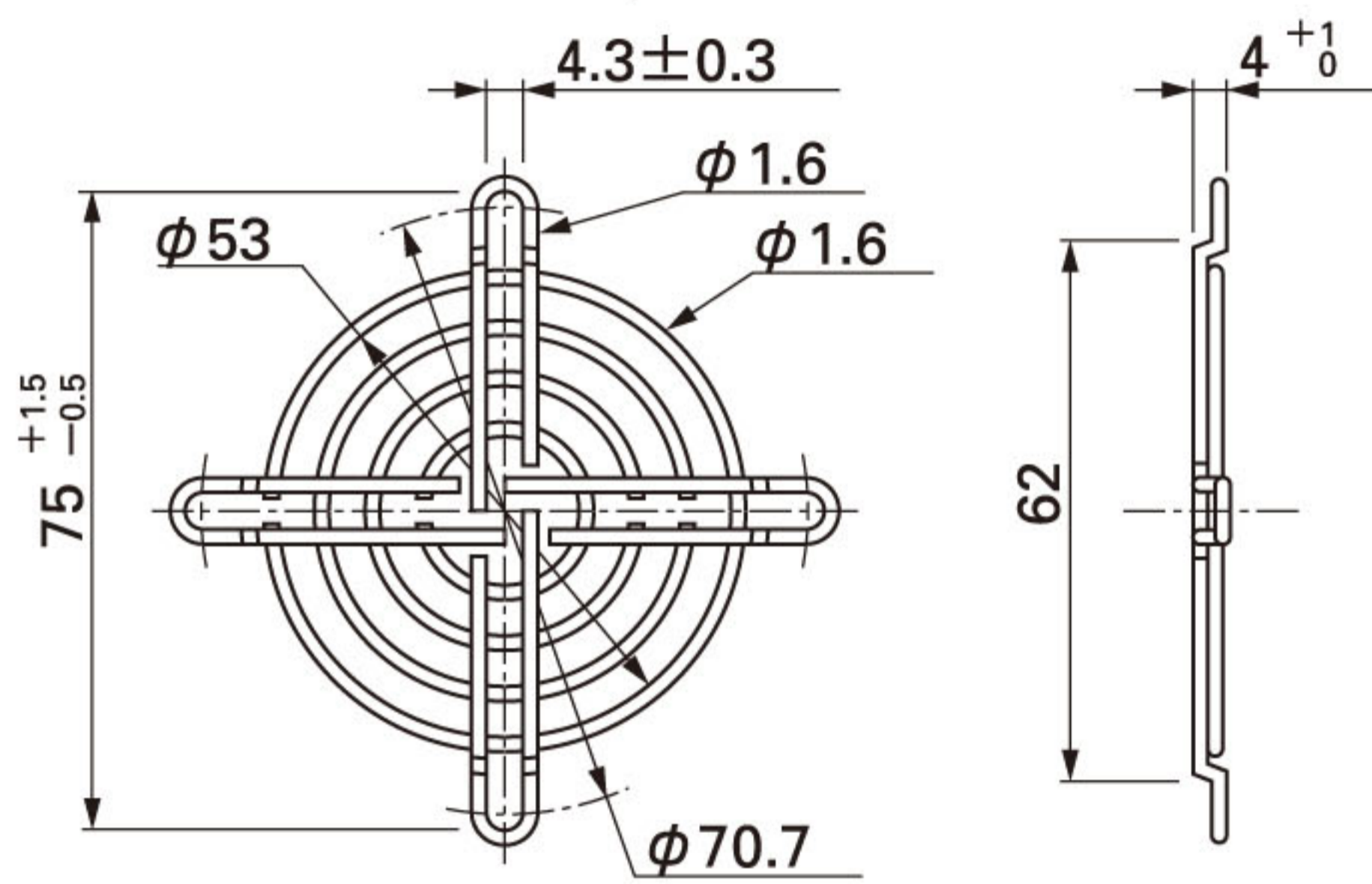
Options (Unit : mm)

Finger guards

Model : 109-139E Surface treatment : Nickel-chrome plating (silver)
 : 109-139H : Cation electropainting (black)

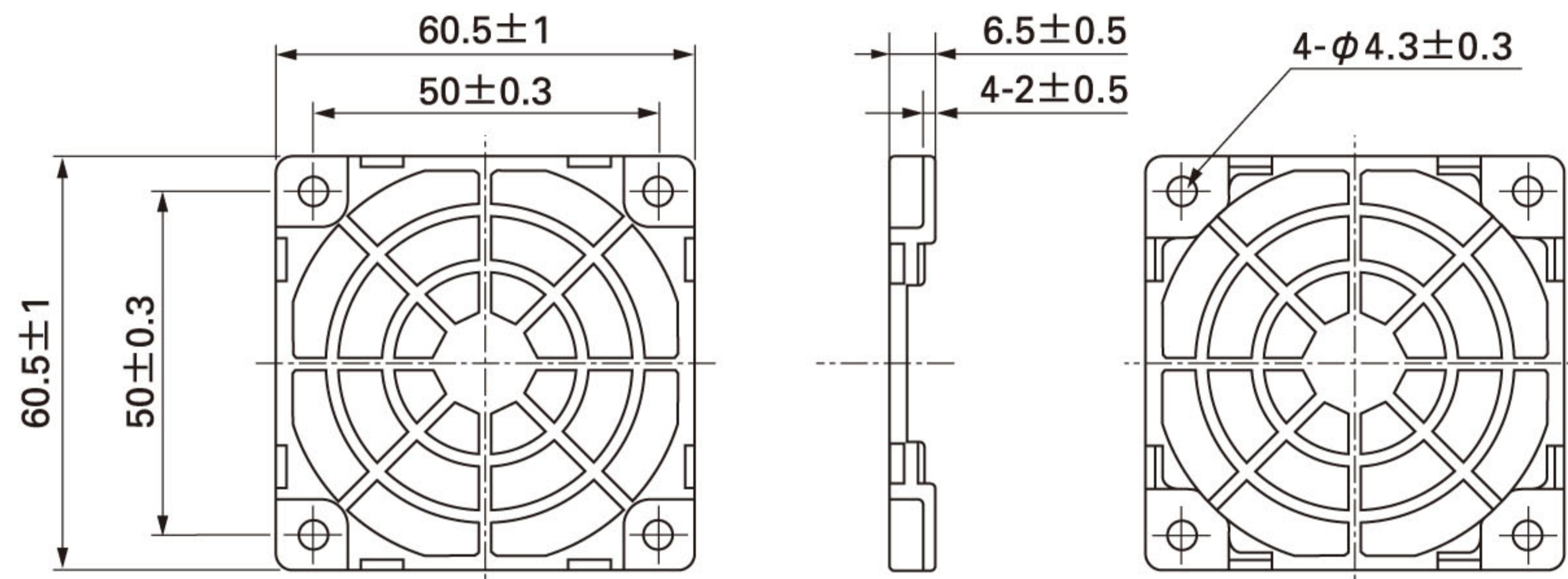
Color

Inlet side, Outlet side



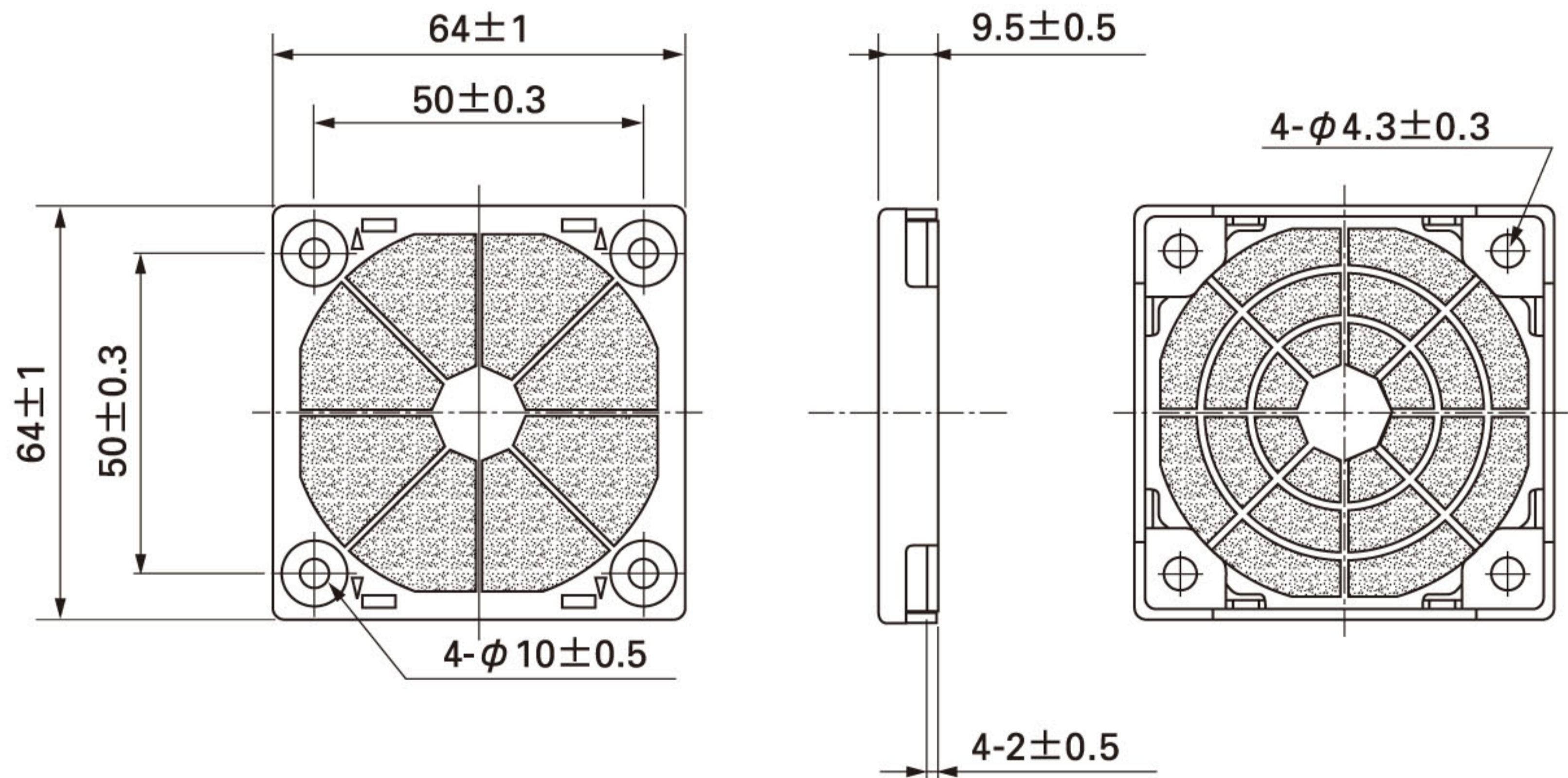
Resin finger guards

Model : 109-1003G



Resin filter kits

Model : 109-1003F13 (13PPI), 109-1003F20 (20PPI)
 : 109-1003F30 (30PPI), 109-1003F40 (40PPI)

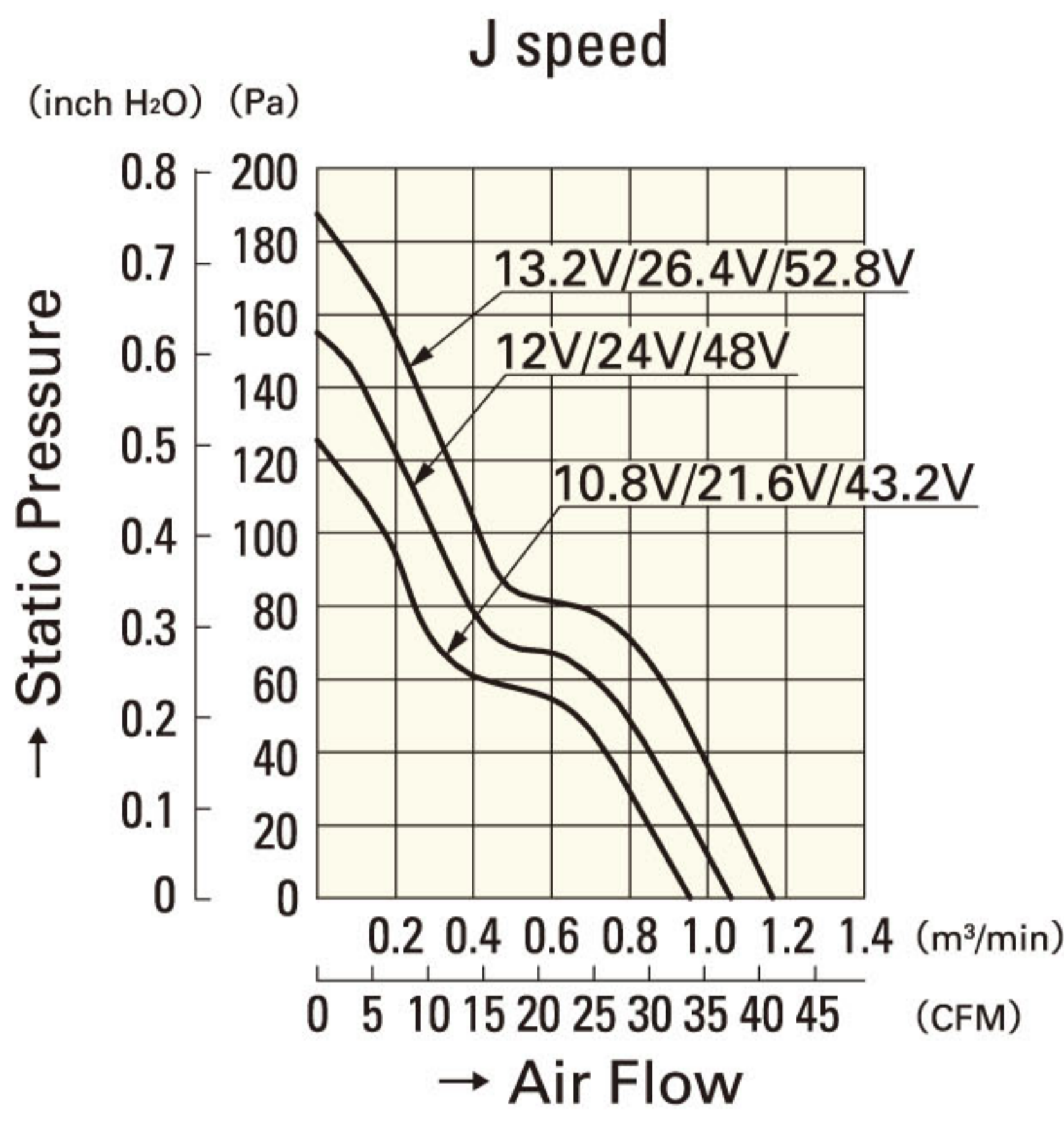


60mm

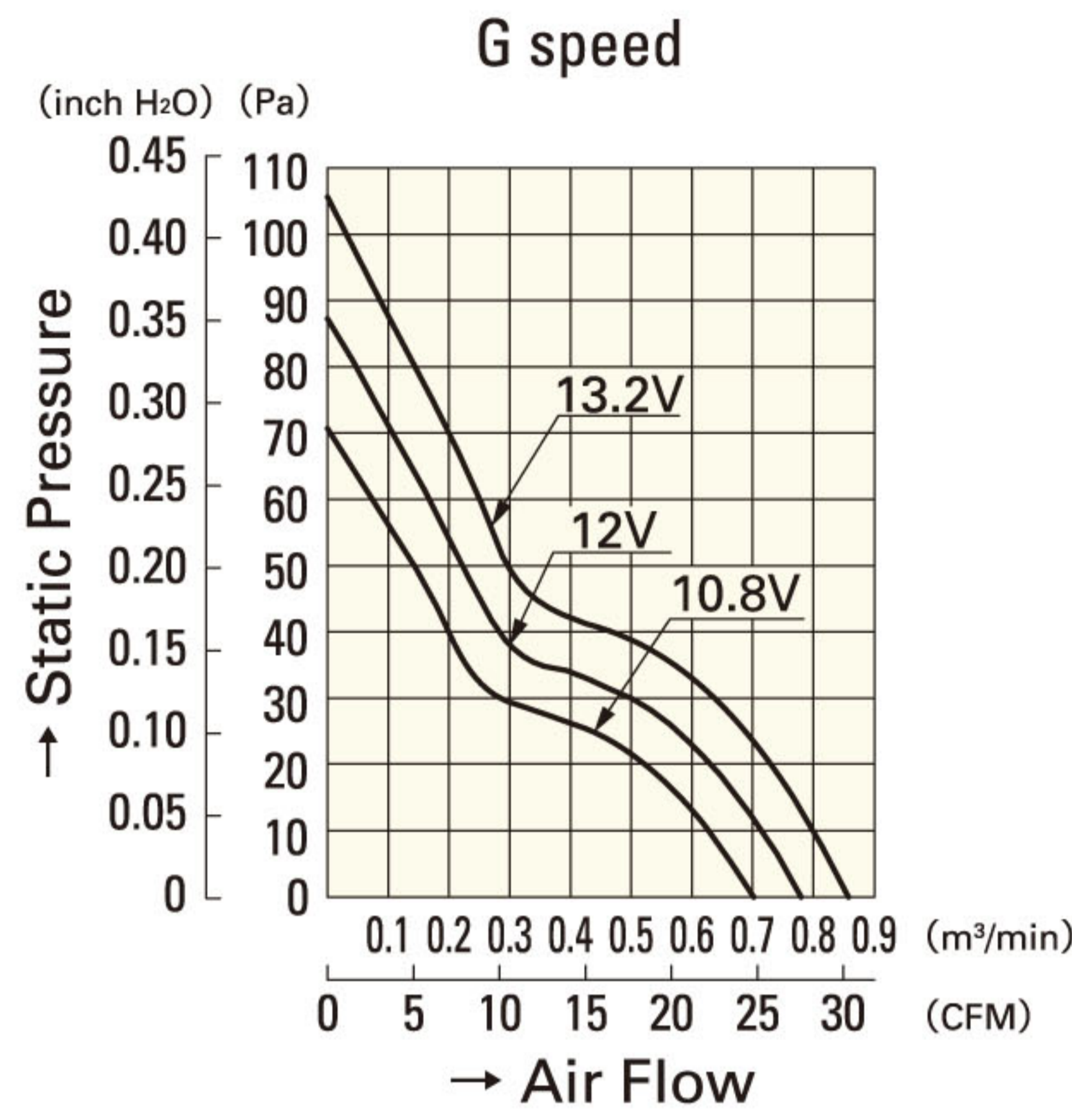
San Ace 60

60mm × 25mm thick (Mass : 90g)

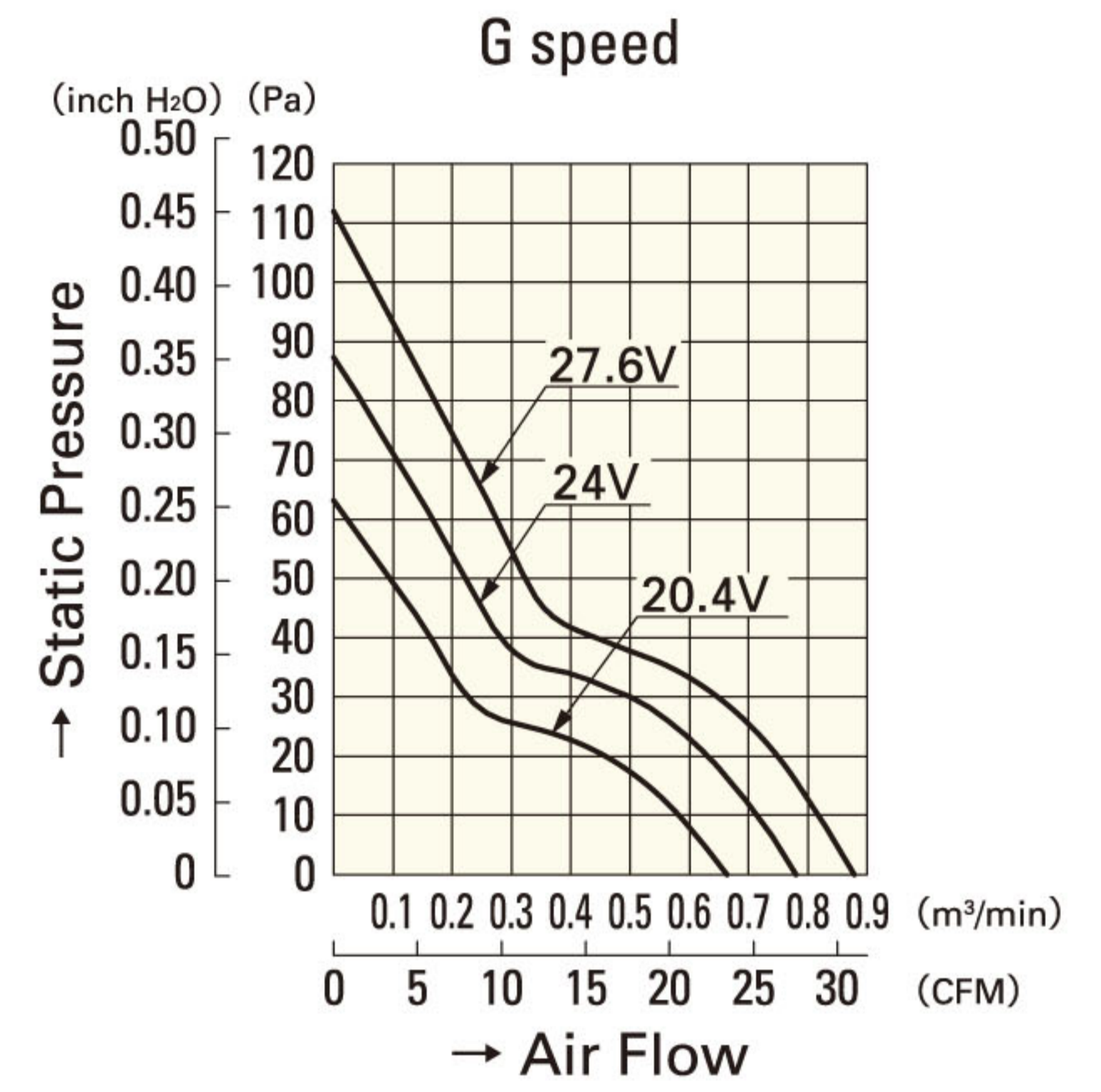
Air Flow and Static Pressure Characteristics



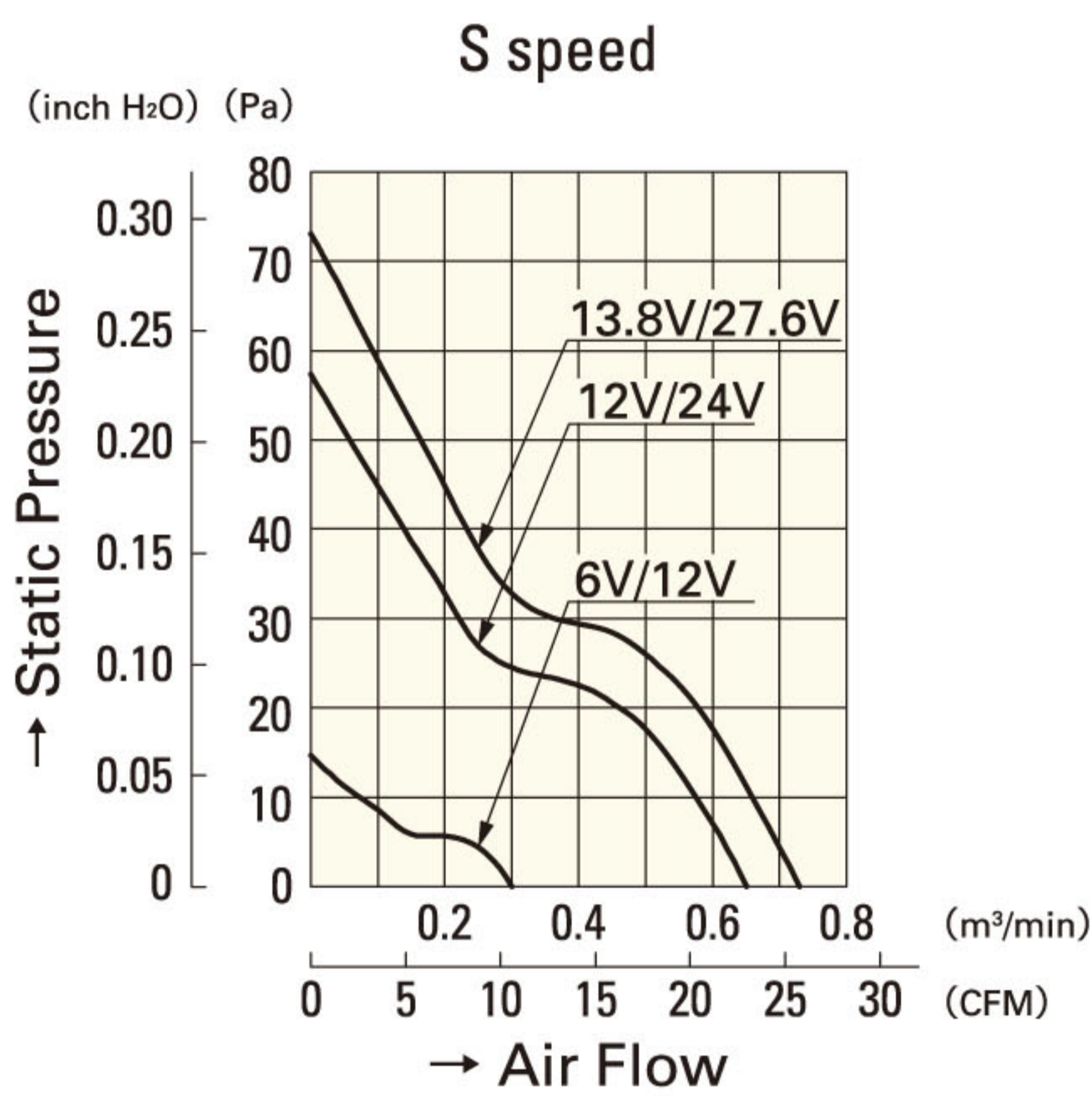
109R0612J401(4011)
109R0624J401(4011)
109R0648J401(4011)



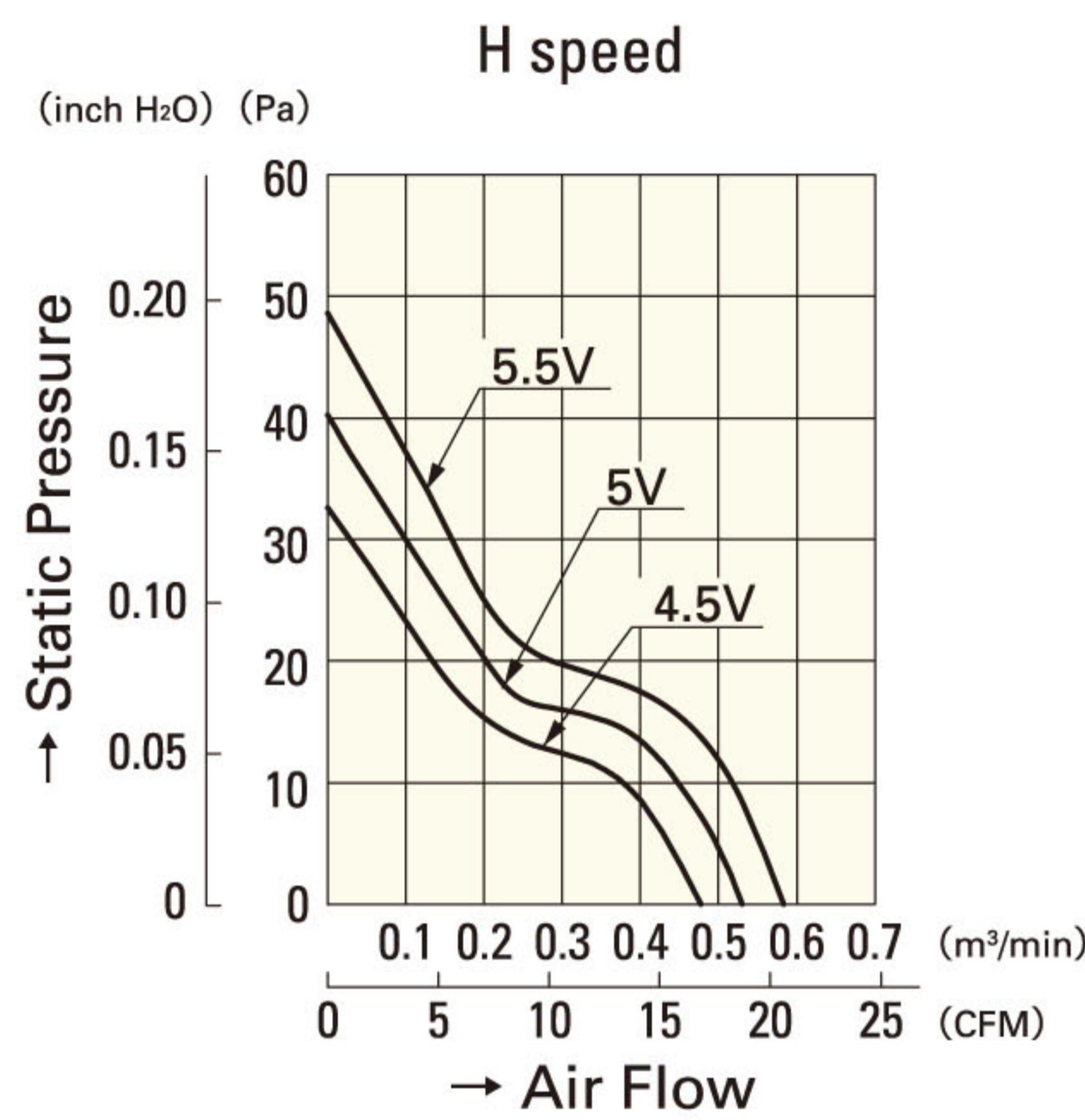
109R0612G401(4011)



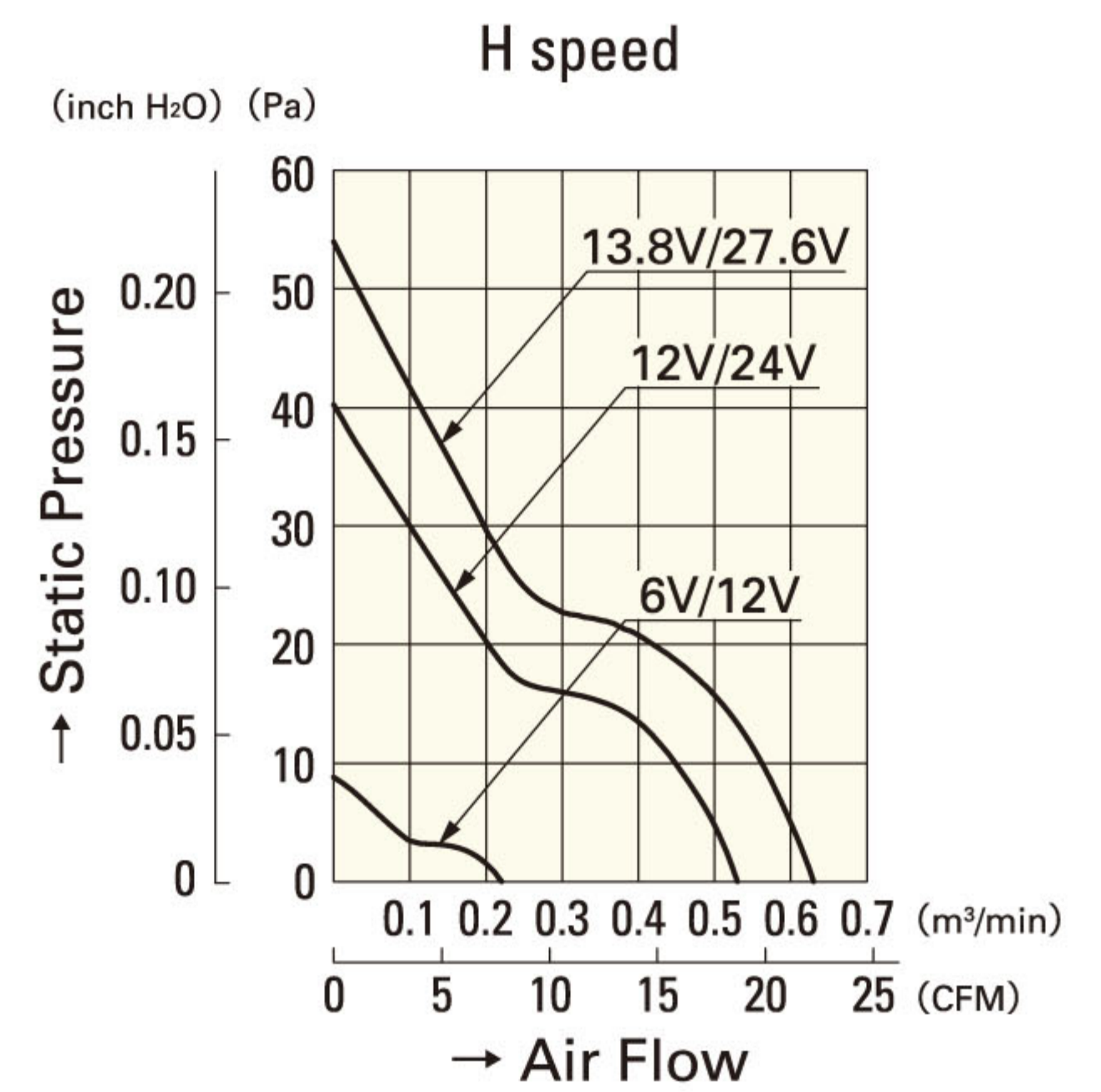
109R0624G401(4011)



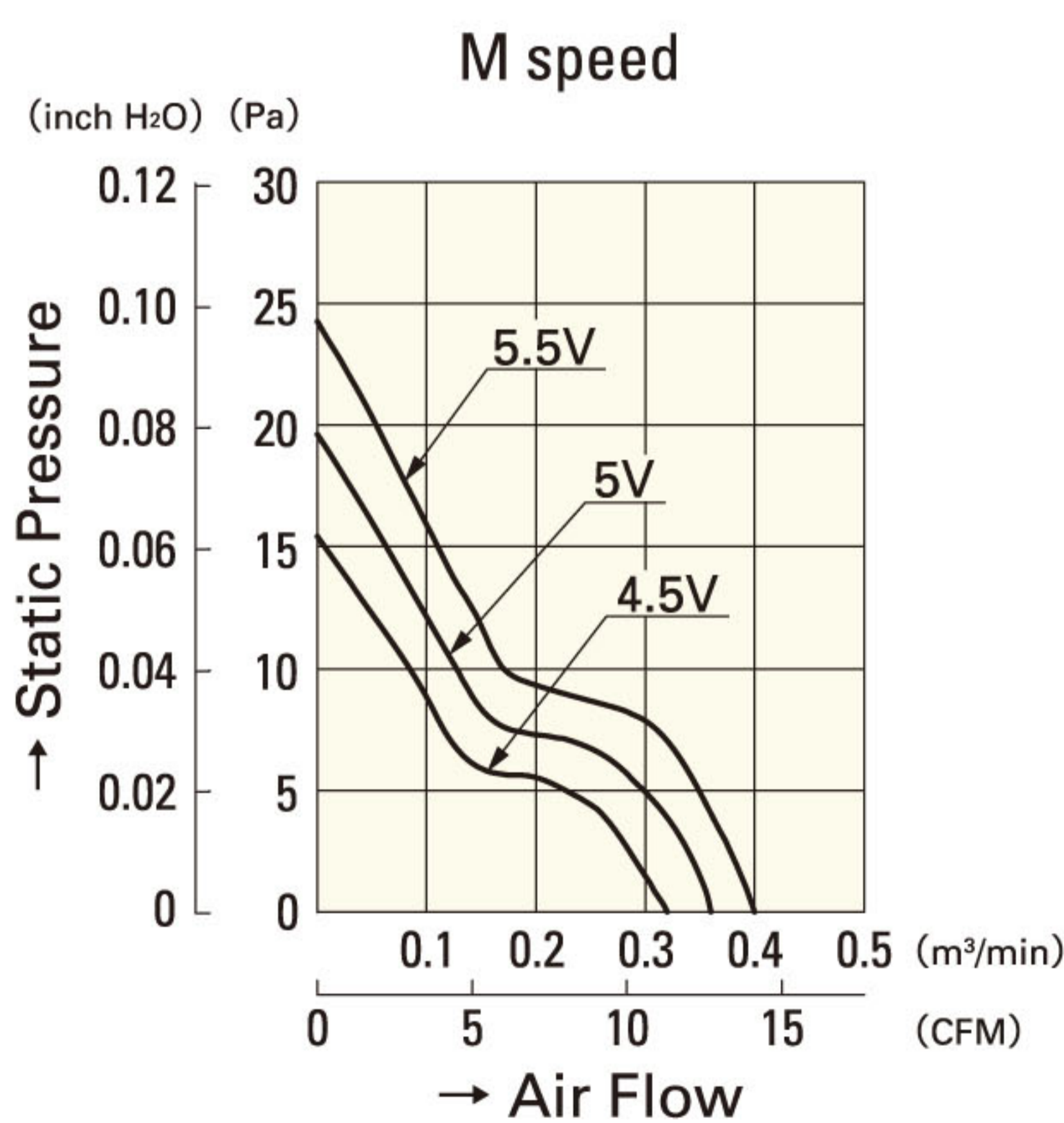
109R0612S401(4011)
109R0624S401(4011)



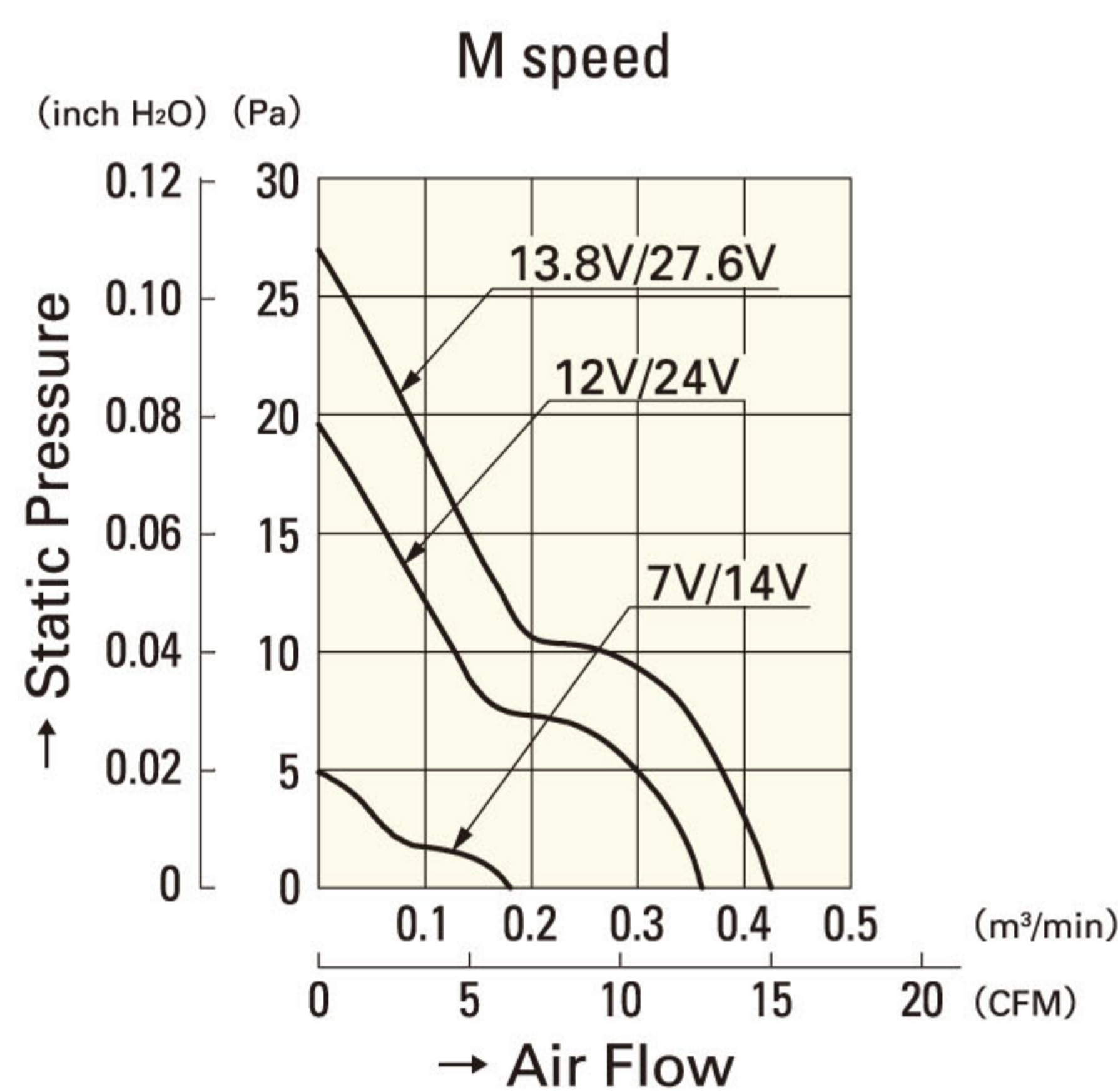
109R0605H401(4011)



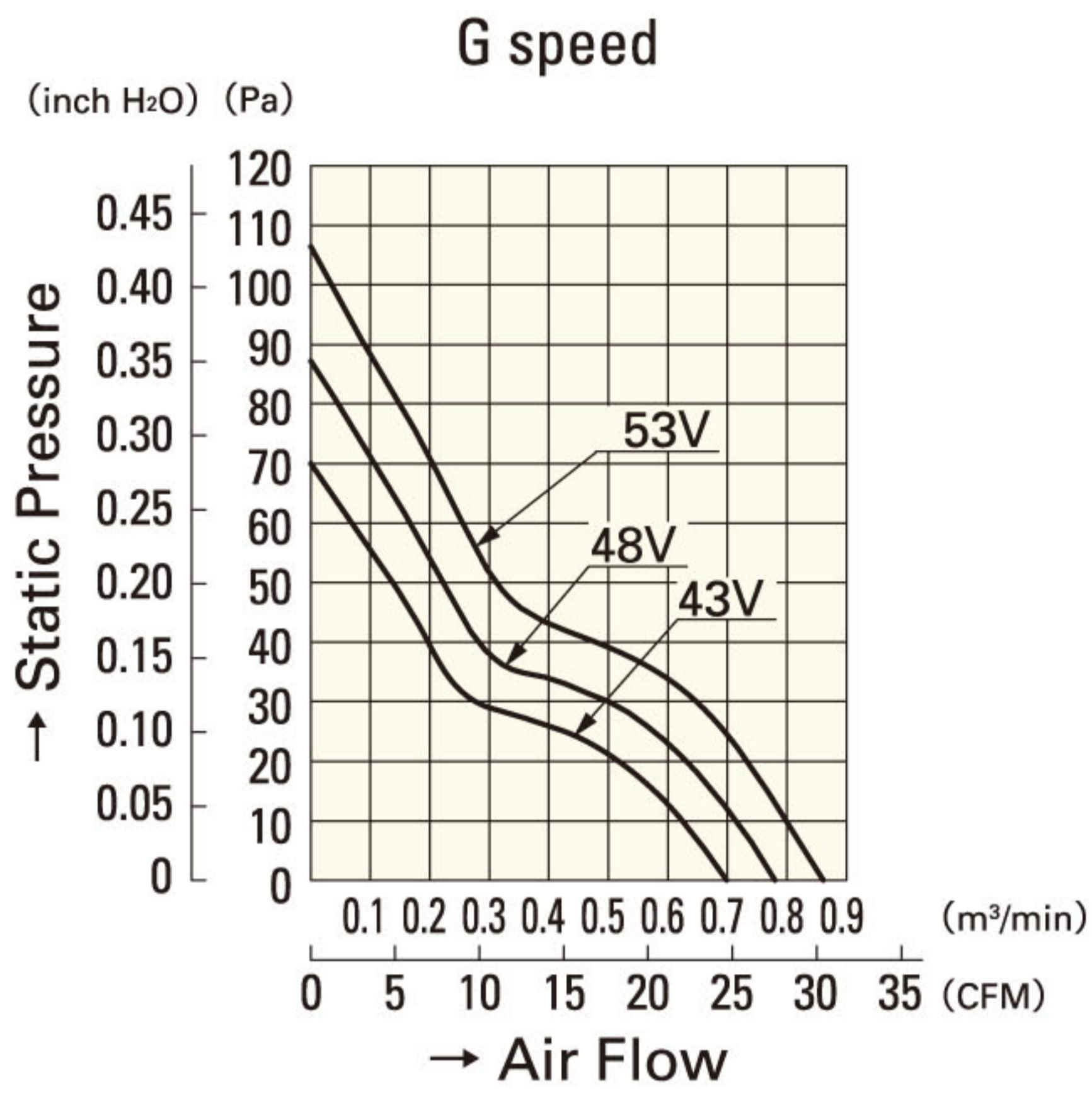
109R0612H401(4011)
109R0624H401(4011)



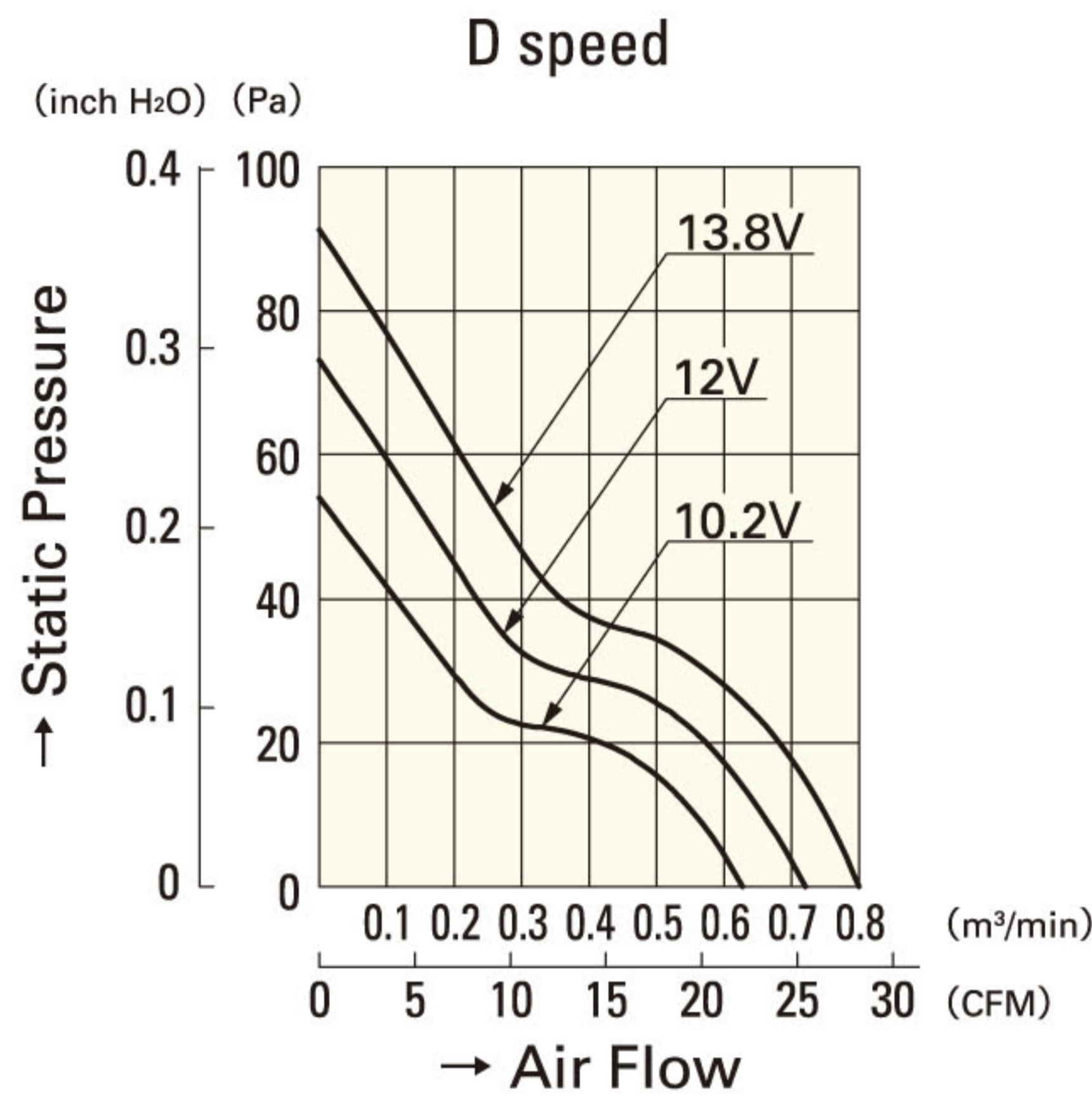
109R0605M401(4011)



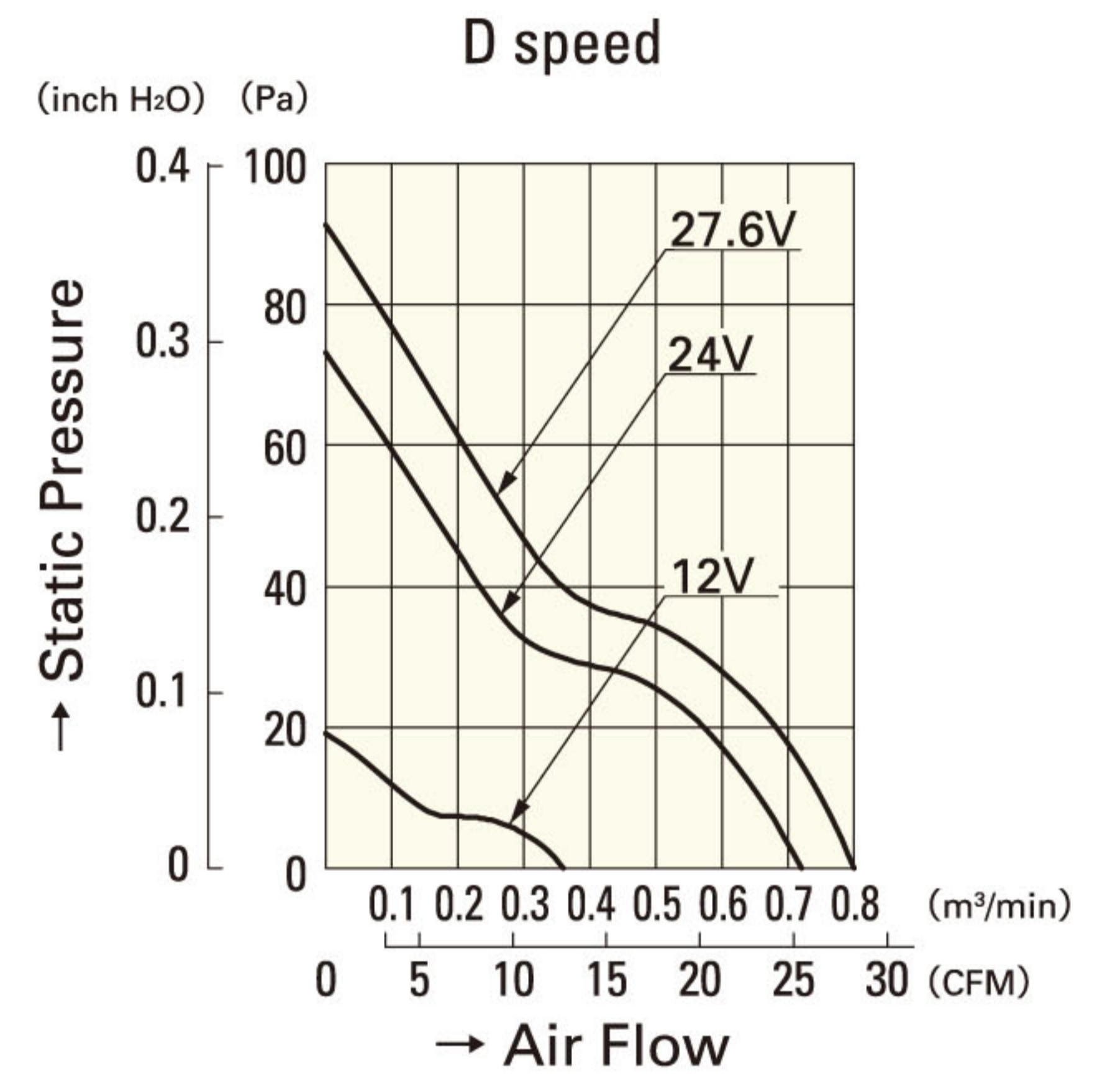
109R0612M401(4011)
109R0624M401(4011)



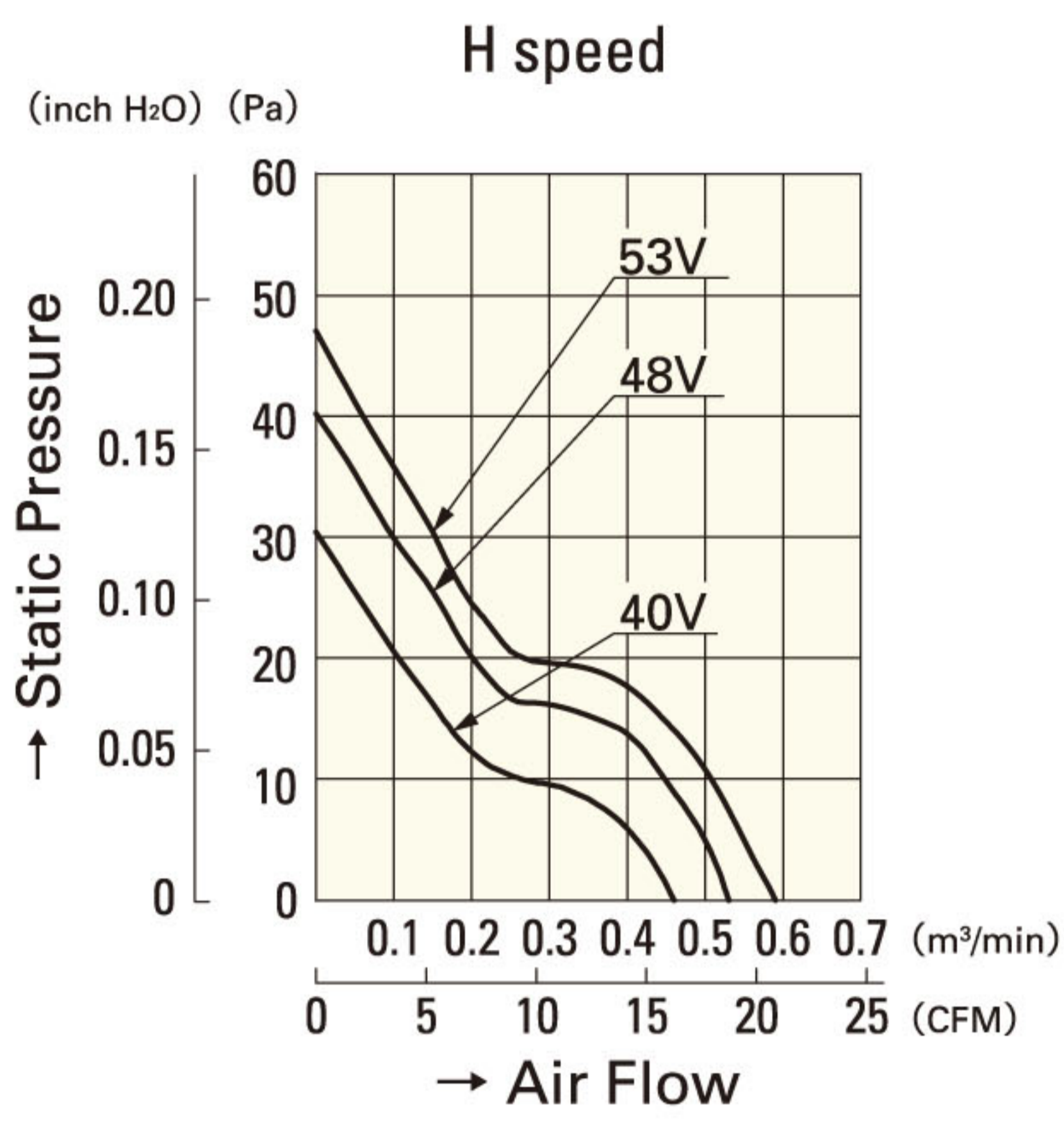
109R0648G401(4011)



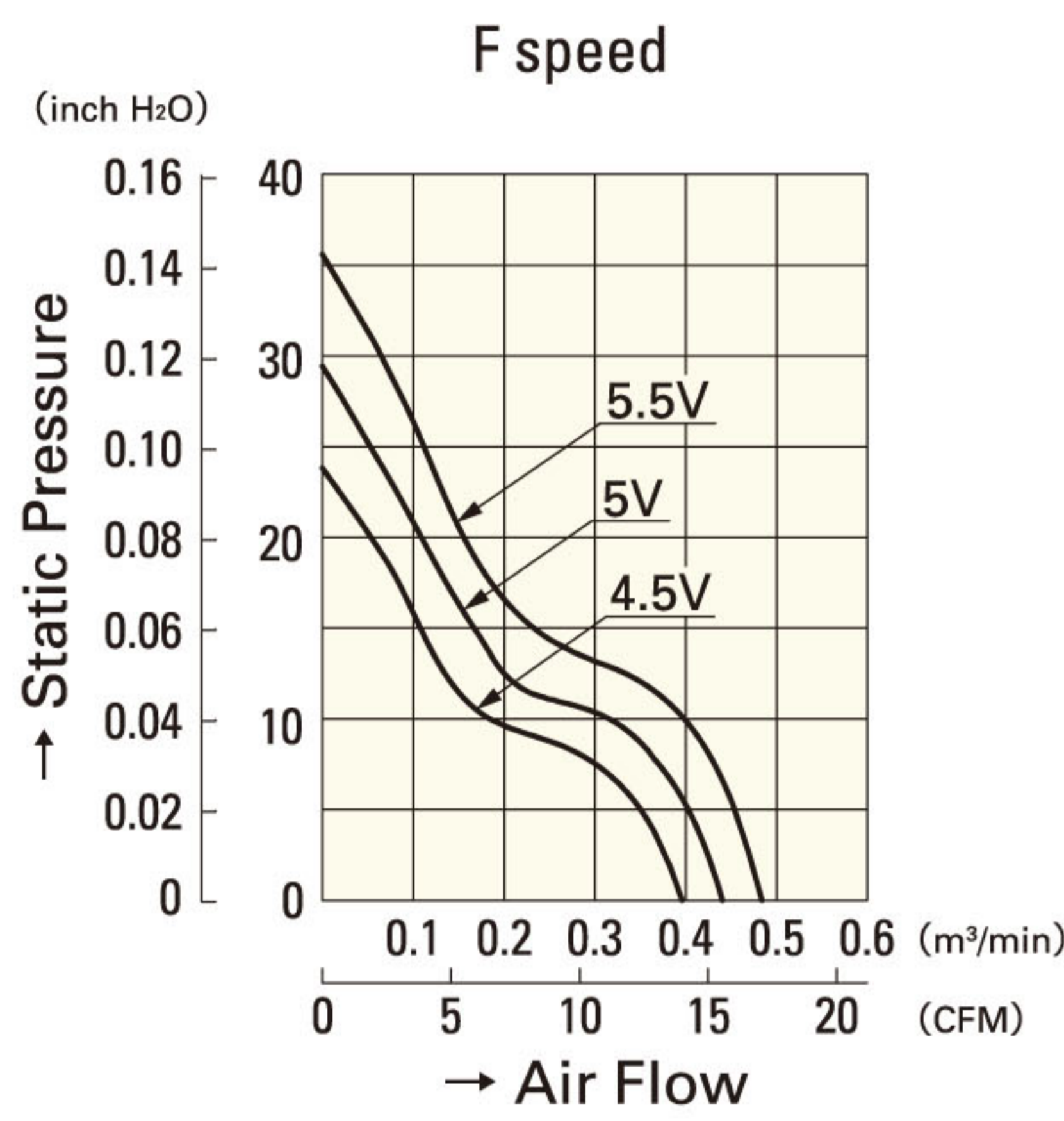
109R0612D401(4011)



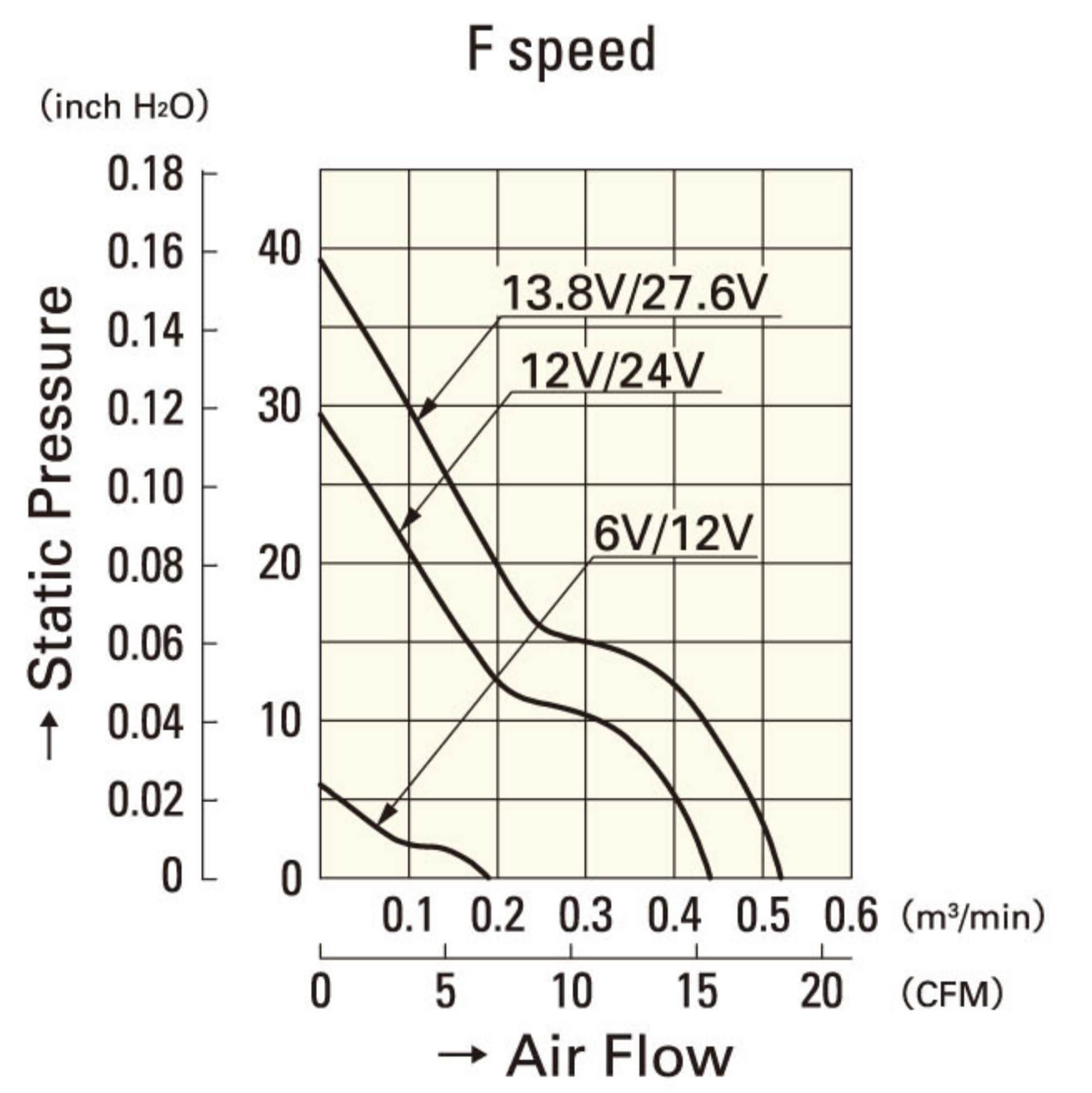
109R0624D401(4011)



109R0648H401(4011)



109R0605F401(4011)



109R0612F401(4011)

109R0624F401(4011)