

AC Fan

120mm sq.

San Ace 120

25mm thick, 25mm thick (with Sensor)
38mm thick, 38mm thick (with Sensor)



General Specifications

- Material Frame: Aluminum, Impeller:Plastics (Flammability: UL94V-1)
- Life Expectancy Varies for each model (L10:Survival rate: 90% at 60°C , rated voltage,and continuously run in a free air state)
- Dielectric Strength 50/60Hz 1,500VAC 1minute (between input terminal and frame)
- Dielectric Strength (With Sensor) ... between AC input and DC input(Sensor output)
 - : 50/60Hz 1,000VAC 1minute
 - between AC input and G
 - : 50/60Hz 1,500VAC 1minute,
 - between G and DC input(Sensor output)
 - : 50/60Hz 1,000VAC 1minute
- Sensor-Purpose Lead Wire ... ⊕ brown ⊖ black (Sensor) yellow

120×120×25mm (Mass : 370g / 390g (with Sensor))

Specifications Standard ※ represents low-speed.

Model No.	Voltage [V]	Frequency [Hz]	Input [W]	Current [A]	Locked Rotor Current [A]	Rated Speed [min ⁻¹]	Air Flow [m ³ /min] [CFM]	Static Pressure [Pa] [inchH ₂ O]	SPL [dB(A)]	Operating Temperature [°C]	Life Expectancy [h]
109S085	100	50/60	13.5/12	0.16/0.14	0.19/0.17	2,500/2,900	1.92/2.22 67.8/78.4	49 /53.9 0.197/0.216	38/41	-30 to +60	25,000
109S084	115			0.14/0.12	0.16/0.15						
109S088	200			0.08/0.07	0.1 /0.09						
109S087	230			0.07/0.06	0.08/0.07						
109S081	100	9.5/8.5	9.5/8.5	0.11	0.11/0.1	2,200/2,350	1.63/1.78 57.6/62.9	29.4/26.3 0.118/0.106	34/35		
109S083	115			0.1	0.1 /0.09						
109S082	200			0.07	0.07/0.06						
109S089	230			0.06	0.06/0.05						
109S086 ※	100	12/10	12/10	0.14/0.12	0.15/0.13	1,400/1,600	1.11/1.35 39.2/47.7	15.7/19.6 0.063/0.079	24/27		

with Sensor ※ represents low-speed.

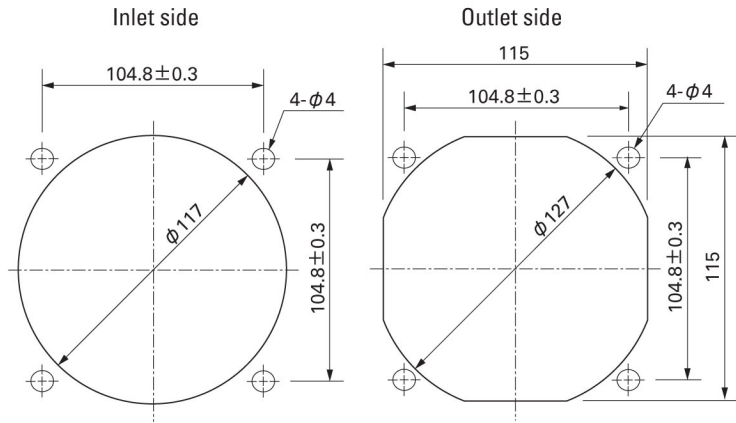
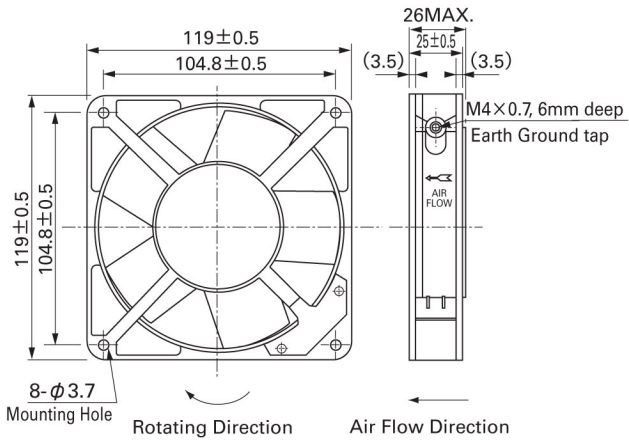
Model No.	Voltage [V]	Frequency [Hz]	Input [W]	Current [A]	Locked Rotor Current [A]	Rated Speed [min ⁻¹]	Air Flow [m ³ /min] [CFM]	Static Pressure [Pa] [inchH ₂ O]	SPL [dB(A)]	Operating Temperature [°C]	Life Expectancy [h]
109S485	100	50/60	13.5/12	0.16/0.14	0.19/0.17	2500/2900	1.92/2.22 67.8/78.4	48 /52 0.193/0.209	38/41	-10 to +60	25,000
109S484	115			0.14/0.12	0.16/0.15						
109S488	200			0.08/0.07	0.1 /0.09						
109S487	230			0.07/0.06	0.08/0.07						
109S486 ※	100	12/10	12/10	0.14/0.12	0.15/0.13	1400/1600	1.11/1.35 39.2/47.7	15.7/19.6 0.059/0.075	24/27		

Two types of power supplies, 5V and 12V, are available in fans with sensor attached.

Dimensions (Unit : mm)

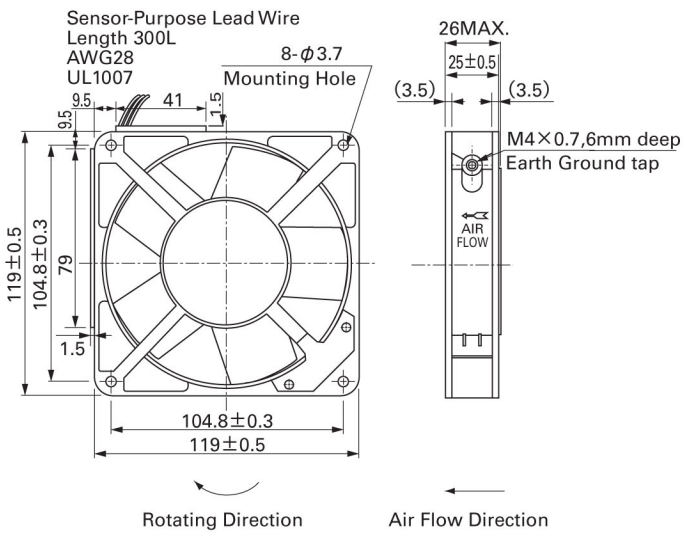
Reference dimension of mounting holes and vent opening (Unit : mm)

Standard



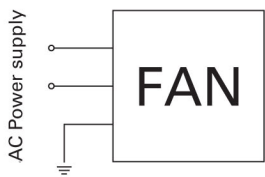
AC Fan 120mm

with Sensor



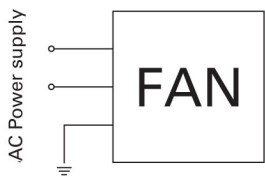
Wiring diagram

Standard

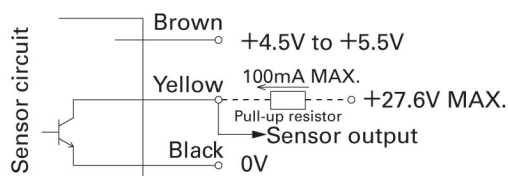


with Sensor

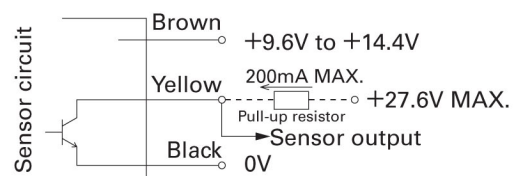
(For fan power supply)



5V



12V



GND should be shared in case that power supply for sensor circuit and that for sensor pull-up are separated.

120mm

120mm sq.

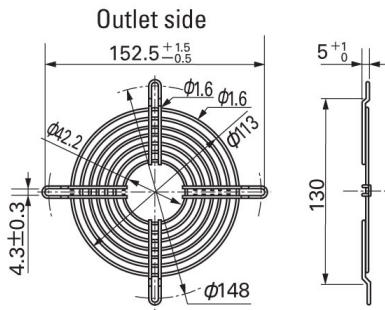
San Ace 120

120×120×25mm [Mass : 370g / 390g (with Sensor)]

Options (Unit : mm)

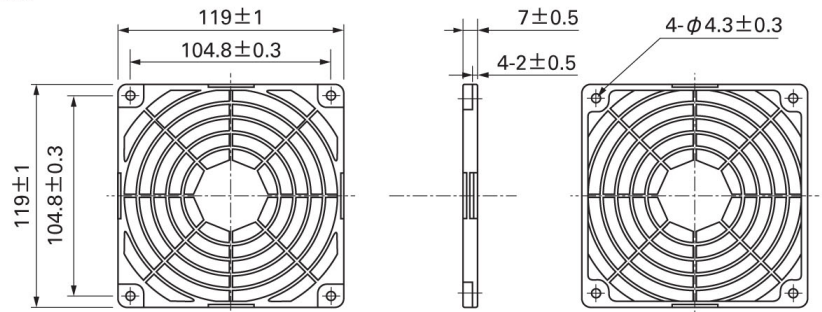
Finger guards

Model : 109-019C Surface treatment : Nickel-chrome plating (silver)
 : 109-019H : Cation electropainting (black)



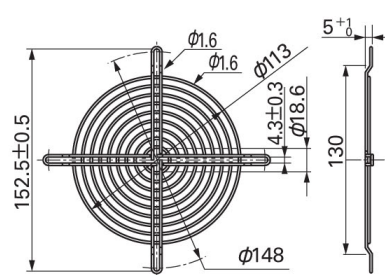
Resin finger guards

Model : 109-1000G



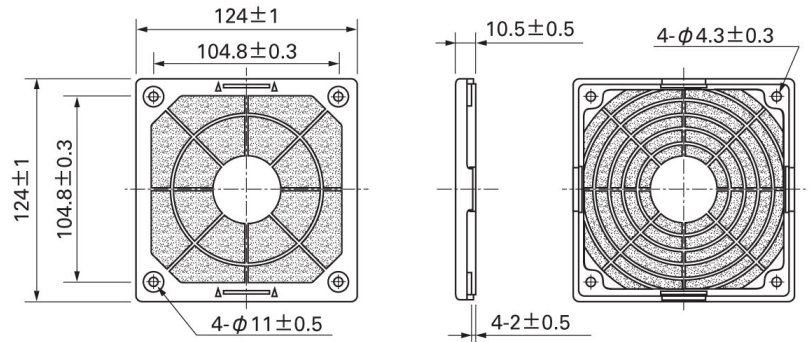
Model : 109-019E Surface treatment : Nickel-chrome plating (silver)
 : 109-019K : Cation electropainting (black)

Inlet side, Outlet side



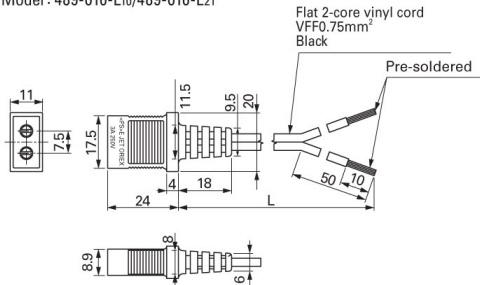
Resin filter kits

Model : 109-1000F13 (13PPI), 109-1000F20 (20PPI)
 : 109-1000F30 (30PPI), 109-1000F40 (40PPI)

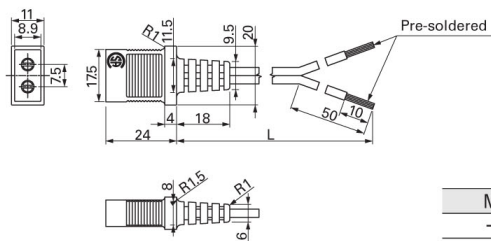


Plug cord

(Products compliant with Electrical Appliance and Material Safety Law)
 Model : 489-016-L10/489-016-L21



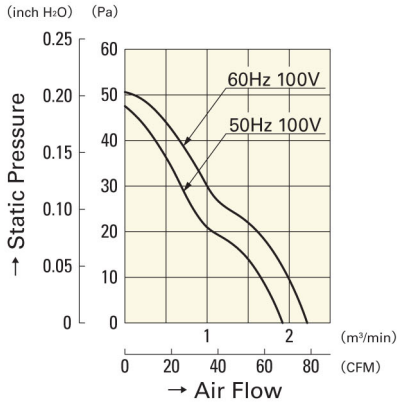
(UL/CSA CERTIFIED)
 UL FILE No.E50197 CSA FILE No.LR67048
 Model : 489-047-L10/489-047-L21



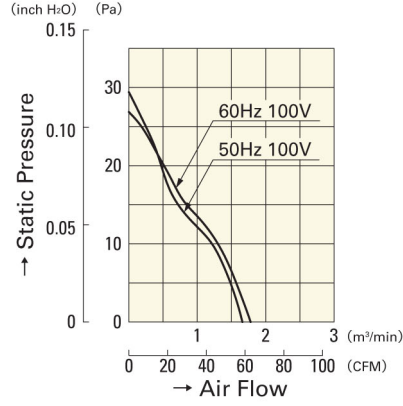
Model	Power cord length(mm)
- L10	1,000
- L21	2,100

Air Flow and Static Pressure Characteristics

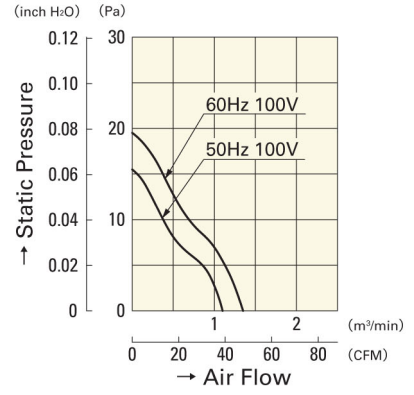
Standard



- 109S085**
- 109S084**
- 109S088**
- 109S087**

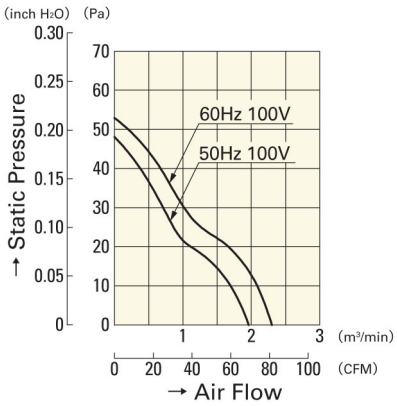


- 109S081**
- 109S083**
- 109S082**
- 109S089**

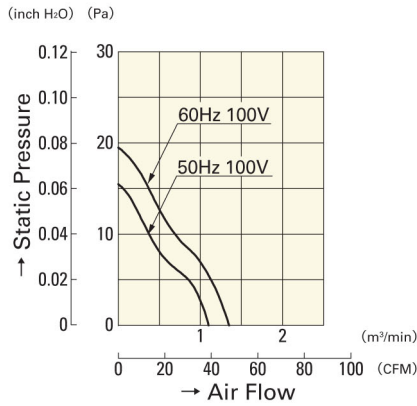


- 109S086**

with Sensor



- 109S485**
- 109S484**
- 109S488**
- 109S487**



- 109S486**