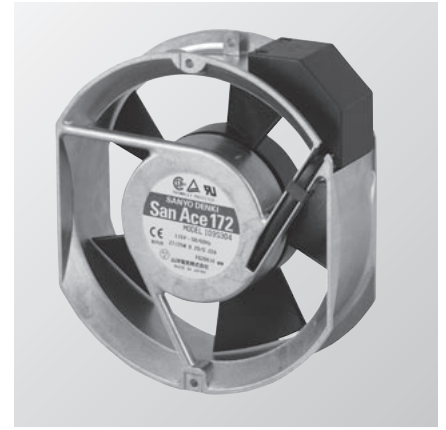


φ172mm

San Ace 172

- 51mm thick (Sidecut type)
- 51mm thick (Round type)
- 51mm thick (Round type /with sensor)



General Specifications

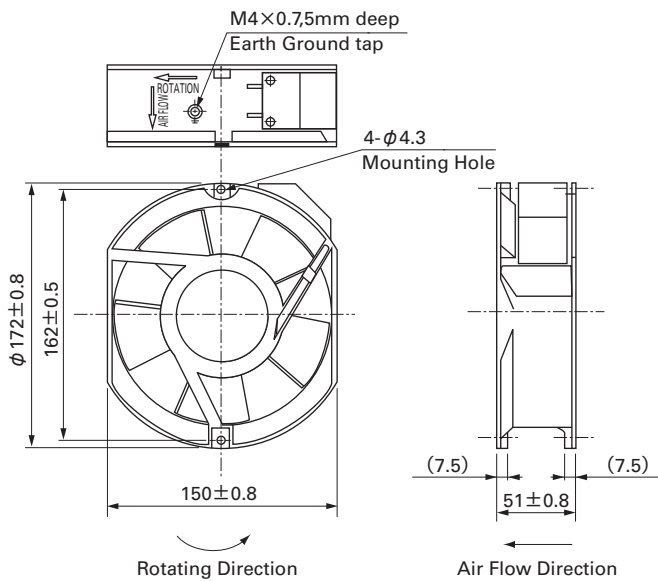
- Material..... Frame: Aluminum, Impeller:Plastics (Flammability: UL94V-1)
- Life Expectancy Varies for each model (L10:Survival rate: 90% at 60°C , rated voltage,and continuously run in a free air state)
- Dielectric Strength 50/60Hz 1,500VAC 1minute (between input terminal and frame)
- Dielectric Strength (With Sensor) ... between AC input and DC input(Sensor output)
 - : 50/60Hz 1,000VAC 1minute
 - between AC input and G
 - : 50/60Hz 1,500VAC 1minute,
 - between G and DC input(Sensor output)
 - : 50/60Hz 1,000VAC 1minute

φ172mm×51mm (Mass : 900g) **Sidecut type**

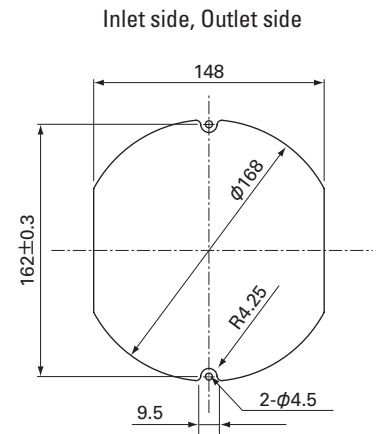
Specifications

Model No.	Voltage [V]	Frequency [Hz]	Input [W]	Current [A]	Locked Rotor Current [A]	Rated Speed [min ⁻¹]	Air Flow [m ³ /min] [CFM]	Static Pressure [Pa] [inchHzO]	SPL [dB(A)]	Operating Temperature [°C]	Life Expectancy [h]
109S301	100	50/60	27/25	0.33/0.25	0.65/0.64	2,900/3,500	5.3/6.4 187.3/226.1	147/196 0.590/0.787	51/56	-30 to +60	25,000
109S304	115			0.29/0.22	0.55/0.54						
109S302	200			0.16/0.13	0.33/0.32						
109S303	230			0.14/0.11	0.28/0.27						

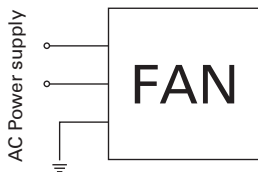
Dimensions (Unit : mm)



Reference dimension of mounting holes and vent opening (Unit : mm)



Wiring diagram



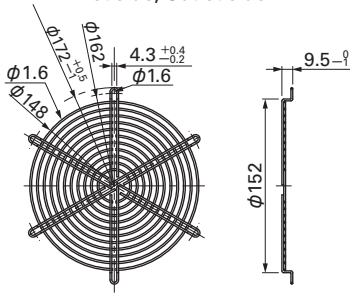
Options (Unit : mm)

Finger guards

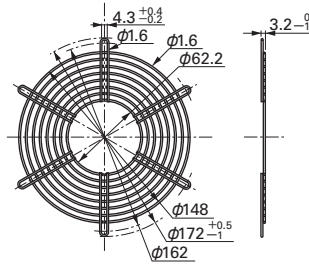
Model : 109-319E Surface treatment : Nickel-chrome plating (silver) Color : 109-319H : Cation electropainting (black)

Model : 109-320 Surface treatment : Nickel-chrome plating (silver) Color

Inlet side, Outlet side



Outlet side

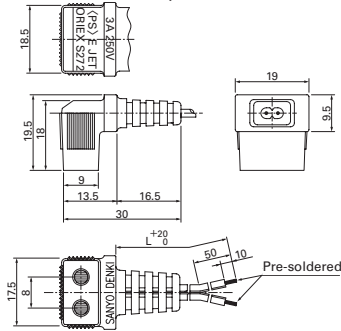


Plug cord

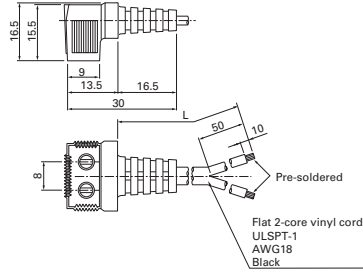
(Products compliant with Electrical Appliance and Material Safety Law) Model : 489-1619-L10/489-1619-L21

(UL/CSA CERTIFIED) UL FILE No.E50197 CSA FILE No.LR67048 Model No. : 489-084-L10/489-084-L21

L-shaped

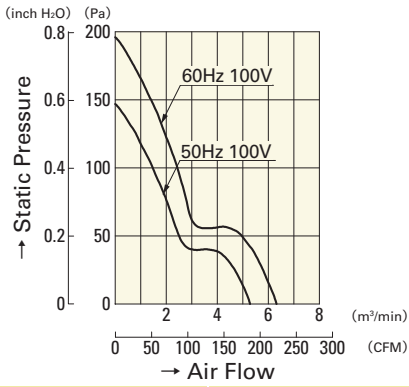


L-shaped



Model	Power cord length(mm)
- L10	1,000
- L21	2,100

Air Flow and Static Pressure Characteristics



109S301	109S304
109S302	109S303