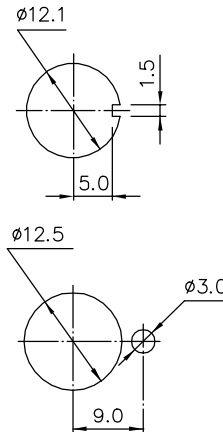
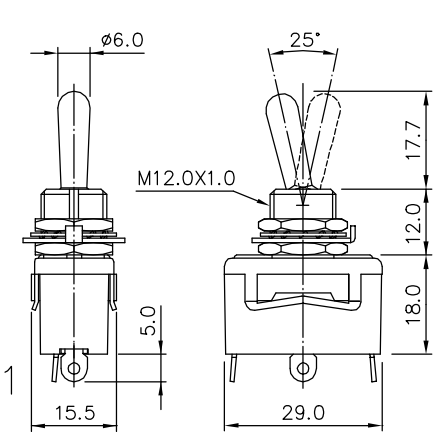




**701X
SERIES**



PANEL LAYOUT

SPECIFICATION

c us

RATING	: 15A 125VAC , 10A 250VAC (UL,C-UL) 20A 125/250VAC (IN HOUSE TEST)
INSULATION RESISTANCE	: DC 500V 100MΩ OR MORE
CONTACT RESISTANCE	: DC 2-4V 1A 20mΩ OR LESS
WITHSTAND VOLTAGE	: AC 1500V FOR 1 Min
AMBIENT TEMPERATURE	: 0 °C TO 55 °C
ELECTRICAL LIFE	: 6,000 CYCLES

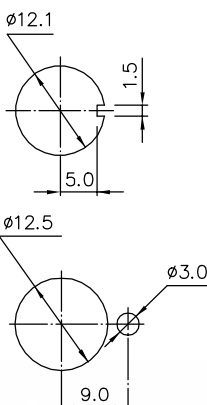
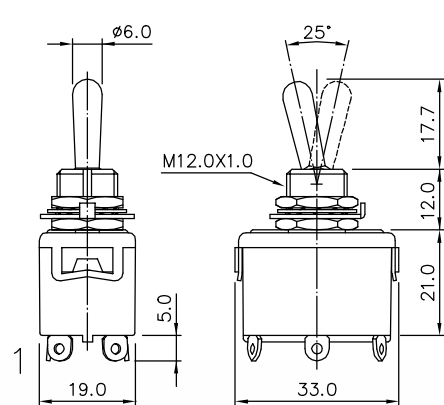
HOW TO ORDER

701 □ - □ - □ - □

SWITCH FUNCTION	SHAFT	RATING	TERMINAL
7011 : ON-OFF	K1:	C1: (UL) 10A 250VAC 15A 125VAC	T1:
7012 : ON-ON		C1: 20A 250VAC 20A 125VAC	T2: 6.35x0.8
7013 : ON-OFF-ON	K2:	C2: 10A 250VAC 15A 125VAC	T3: 4.75x0.8
7014 : (ON)-OFF		C3: 10A 250VAC 15A 125VAC	T4:
7015 : ON-(ON)	K3:		T6:
7016 : (ON)-OFF-(ON)			T11:
7017 : ON-OFF-(ON)			T12: 6.35x0.8
			T14:



**702X
SERIES**



PANEL LAYOUT

SPECIFICATION

c us

RATING	: 15A 125VAC , 10A 250VAC (UL,C-UL) 20A 125/250VAC (IN HOUSE TEST)
INSULATION RESISTANCE	: DC 500V 100MΩ OR MORE
CONTACT RESISTANCE	: DC 2-4V 1A 20mΩ OR LESS
WITHSTAND VOLTAGE	: AC 1500V FOR 1 Min
AMBIENT TEMPERATURE	: 0 °C TO 55 °C
ELECTRICAL LIFE	: 6,000 CYCLES

HOW TO ORDER

702 □ - □ - □ - □

SWITCH FUNCTION	SHAFT	RATING	TERMINAL
7021 : ON-OFF	K1:	C1: 10A 250VAC 15A 125VAC	T1:
7022 : ON-ON		C1: 20A 250VAC 20A 125VAC	T2: 6.35x0.8
7023 : ON-OFF-ON	K2:	C2: 10A 250VAC 15A 125VAC	T3: 4.75x0.8
7024 : (ON)-OFF		C3: 10A 250VAC 15A 125VAC	T4:
7025 : ON-(ON)	K3:		T6:
7026 : (ON)-OFF-(ON)			T11:
7027 : ON-OFF-(ON)			T12: 6.35x0.8
	K5:		T14:
	K4:		T12: 6.35x0.8