

V5 Sealed Low-current Part number 83201003



- IP 67/IP 69K protection
- Long overtravel 2 mm
- Multidirectional actuation at angles up to 45°
- Rating from 1 mA/5 VDC to 4 A/250 V AC
- Operating temperature -40 °C to +90 °C

Part numbers

	Type	Function	Connections / Locating pins
83201003	Low-current	I (SPDT)	X1/none

Specifications

Electrical characteristics

Rating nominal 250 VAC (A)	-
Operating range / 4 →14 VDC/AC (A)	0,001 →0,05
Rating thermal	0,1

Mechanical characteristics

Maximum operating force (N)	1,5
Min. Release force (N)	0,15
Maximum total travel force (N)	2,5
Max. permitted overtravel force (N)	10
Maximum rest position (mm)	11,1**
Operating position (mm)	10,5 ^{+0,2**}
Maximum differential travel (mm)	0,2
Min. overtravel (mm)	2
Ambient operating temperature (°C)	-40 →+90
Mechanical life (operations)	10 ⁶ ***
Contact gap (mm)	0,6
Weight (g) (tags version)	0,75

Comments

- * Please contact us
- ** According to dimension X0. See Dimensions section.
- *** With front-end actuation

Additional characteristics

Component

Material :

- Button : POM
- Membrane : VMQ
- Cover : PAMXD6 GF50
- Base : PA66
- Contacts : AgSnO2 (standard) or Ag (Low-current)
- Terminals : Silver-plated CuZn
- Blade : CuBe2
- Levers : Stainless steel

Electrical life

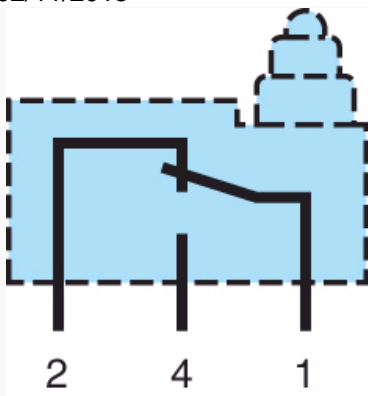
Standard :

- 250 VAC 4 A resistive > 6,000 cycles
- 14 VDC 2 A resistive 200,000 cycles
- 14 VDC 10 W lamps 100,000 cycles
- 14 VDC 0,5 A L/R = 4 ms 50,000 cycles

Low-current :

- 5 VDC 1 mA resistive 1,000,000 cycles

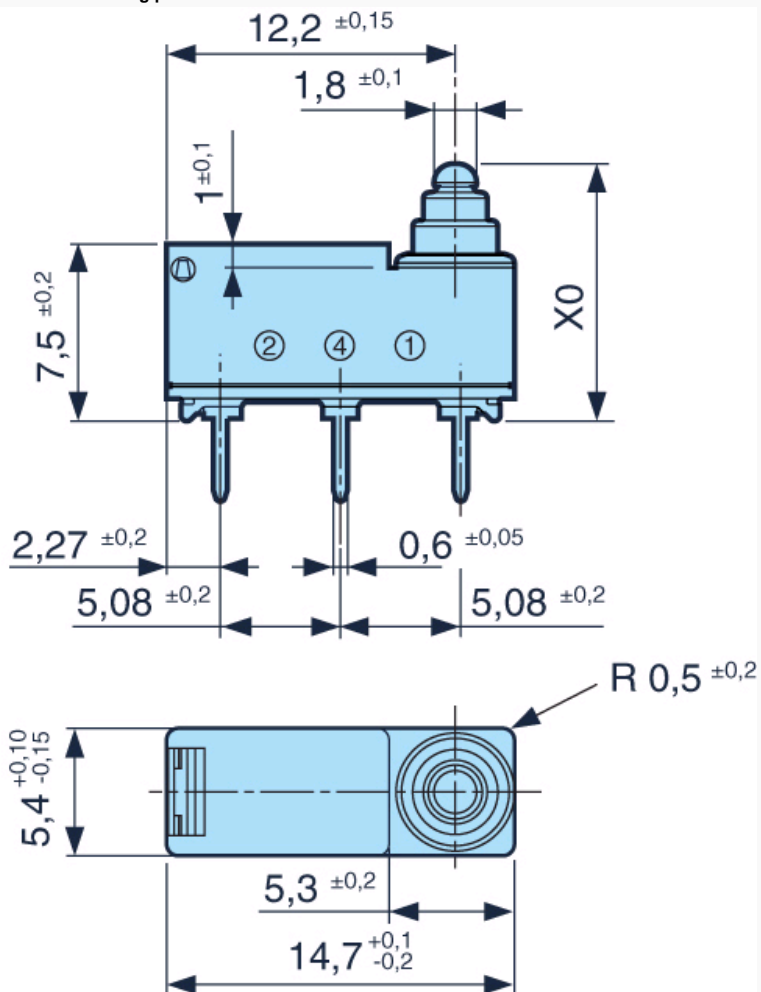
Principles



Dimensions (mm)

Product

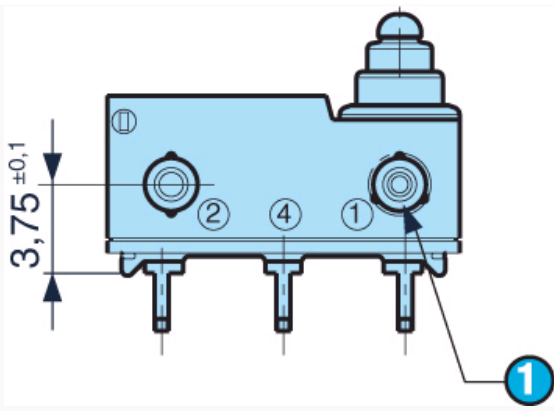
Version without locating pins



Dimensions (mm)

Product

Version with locating ribs

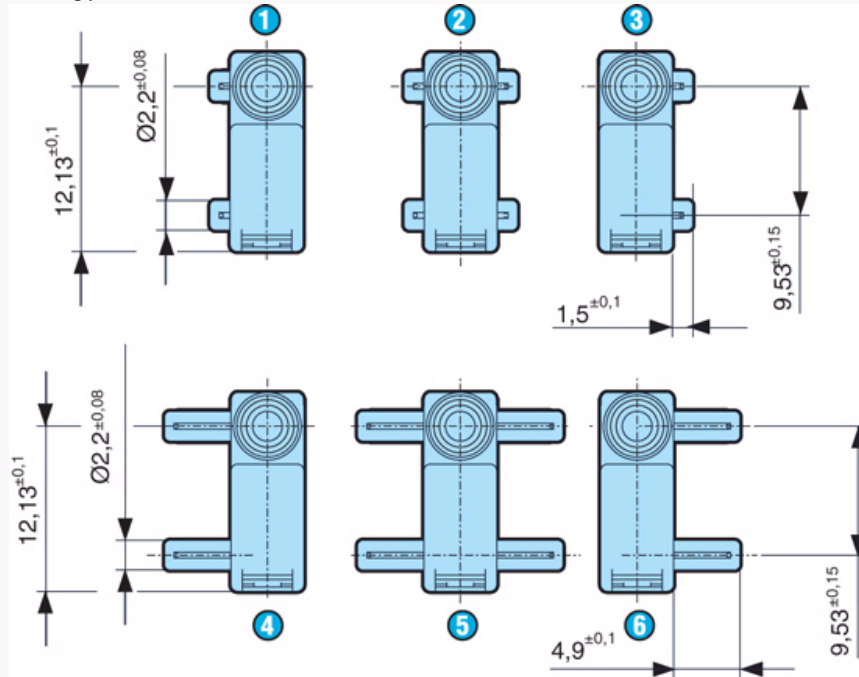


N°	Legend
1	Ø 2.6 ±0.1 on studs

Dimensions (mm)

Product

Locating pins

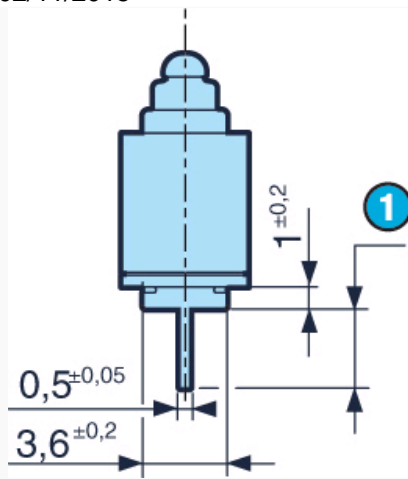


N°	Legend
1	2 short pins at rear (CAR)
2	4 short pins (4C)
3	2 short pins at front (CAV)
4	2 long pins at rear (LAR)
5	4 long pins (4L)
6	2 long pins at front (LAV)

Dimensions (mm)

Connections

X1-X1L

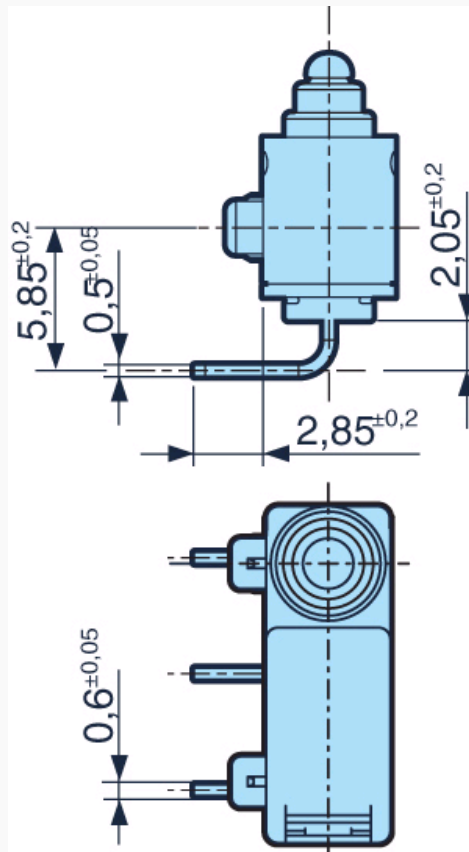


N°	Legend
①	X1 = 3.5 ± 0.2 X1L = 7 ± 0.2

Dimensions (mm)

Connections

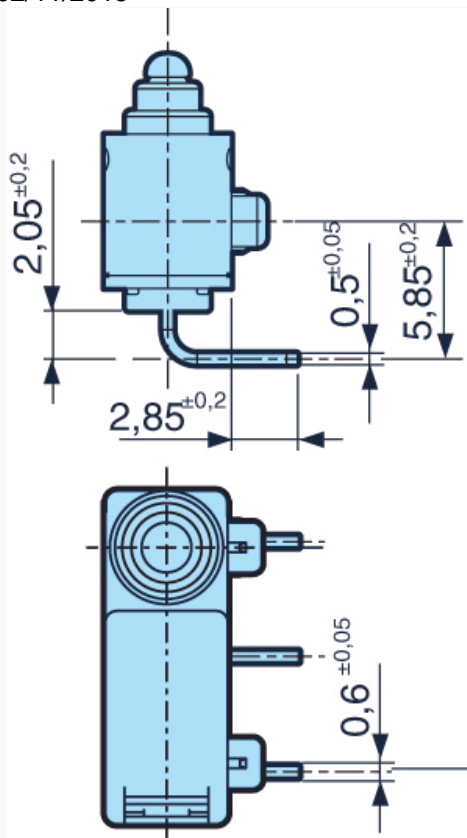
X2



Dimensions (mm)

Connections

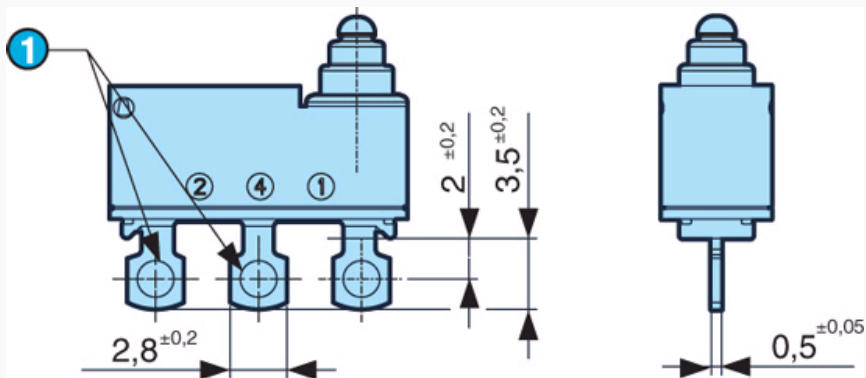
X3



Dimensions (mm)

Connections

W2 - W2ST

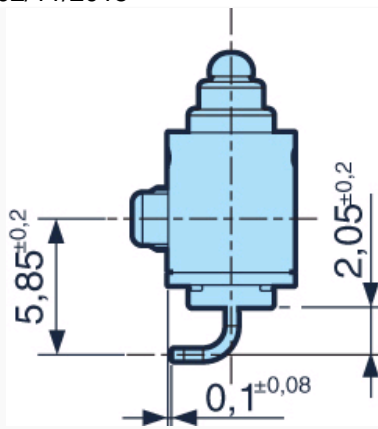


N°	Legend
①	With holes : W2 \varnothing 1.8 \pm 0.1
	Without holes : W2ST

Dimensions (mm)

Connections

CMS2

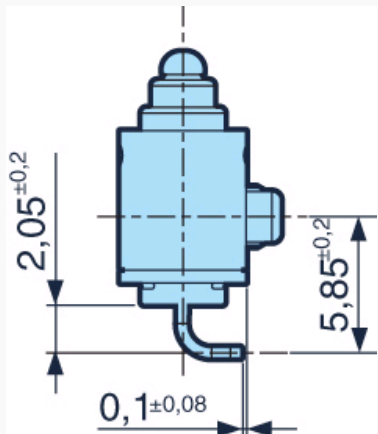


Please consult Crouzet

Dimensions (mm)

Connections

CMS3

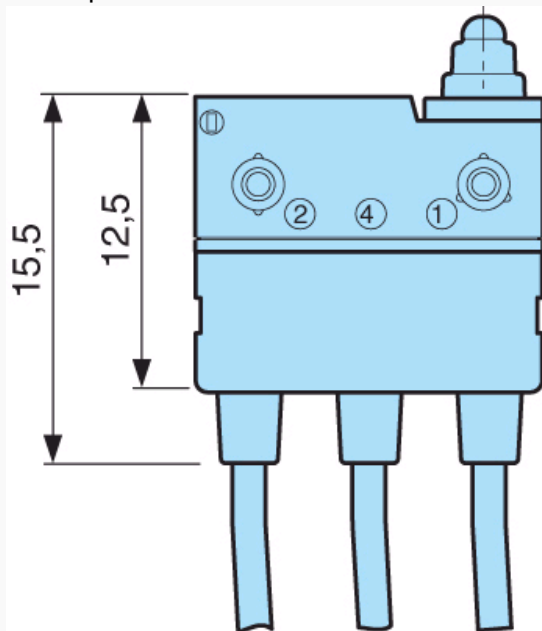


Please contact us

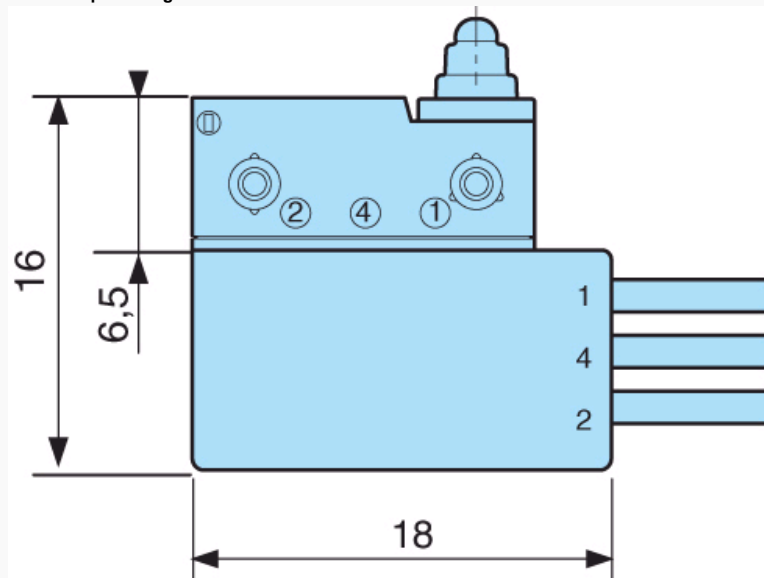
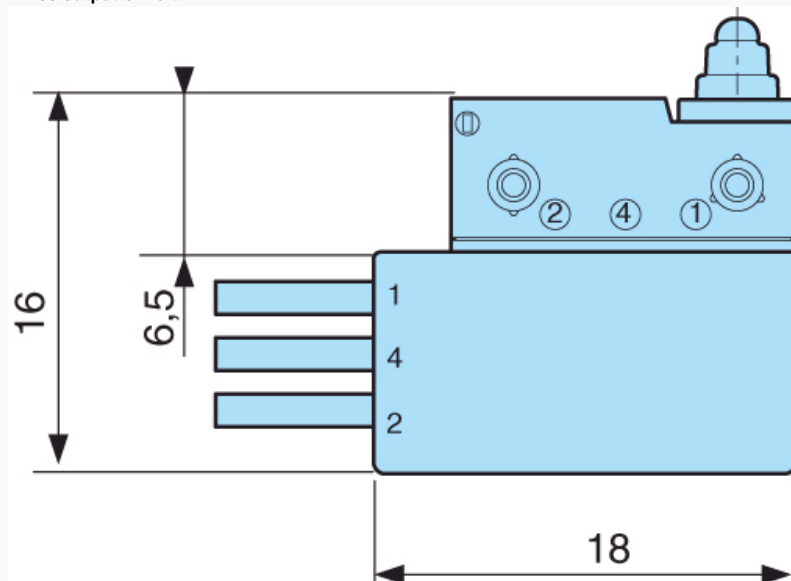
Dimensions (mm)

Connections

Wires output on bottom

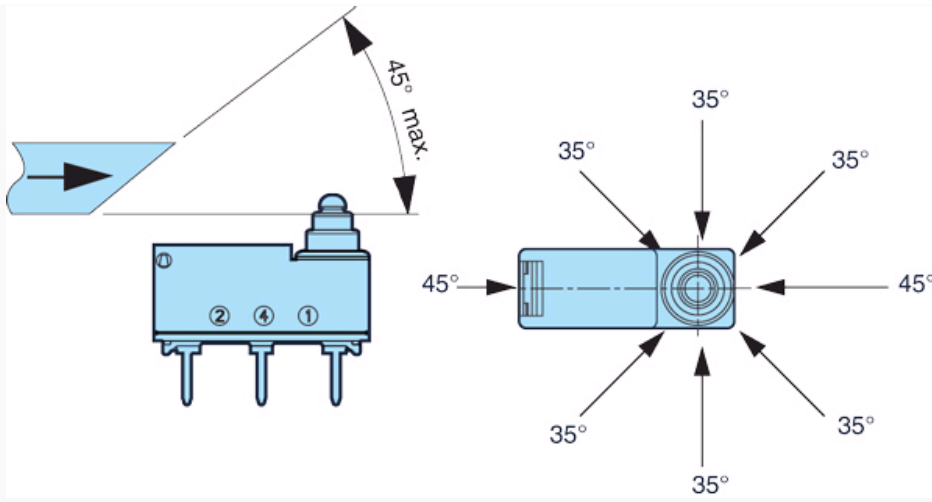


Wires characteristics 1 : Black 2 : Grey 4 : Blue Cross-section : 0.35 mm² Standard length : 500 mm PVC insulation

Dimensions (mm)**Connections****Wires output on right**Black : 1 Grey : 2 Blue : 4 Cross-section : 0.35 mm² Standard length : 500 mm PVC insulation**Dimensions (mm)****Connections****Wires output on left**Black : 1 Grey : 2 Blue : 4 Cross-section : 0.35 mm² Standard length : 500 mm PVC insulation**Dimensions (mm)**

A traduire

Side operation

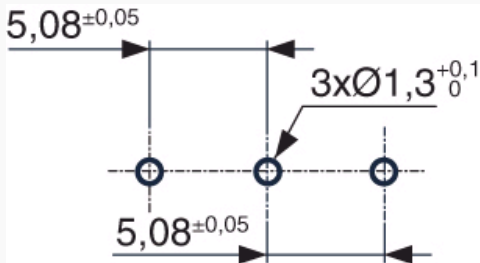


Black : 1 Grey : 2 Blue : 4 Cross-section : 0.35 mm² Standard length : 500 mm PVC insulation

Dimensions (mm)

Drilling

Installation on printed circuit board
X1-X2-X3

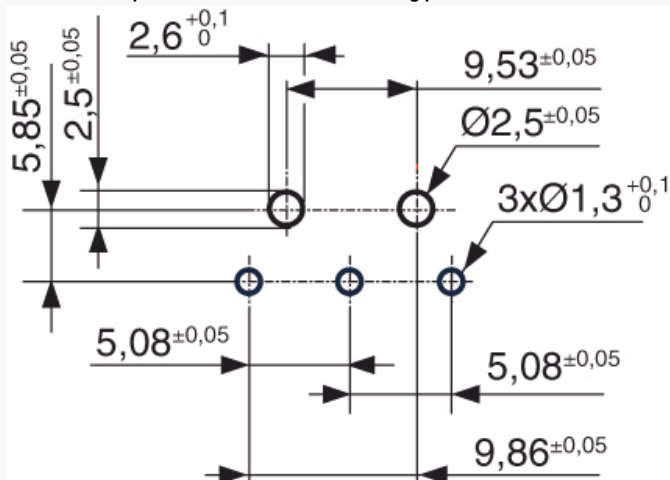


Black : 1 Grey : 2 Blue : 4 Cross-section : 0.35 mm² Standard length : 500 mm PVC insulation

Dimensions (mm)

Drilling

Installation on printed circuit board with locating pins

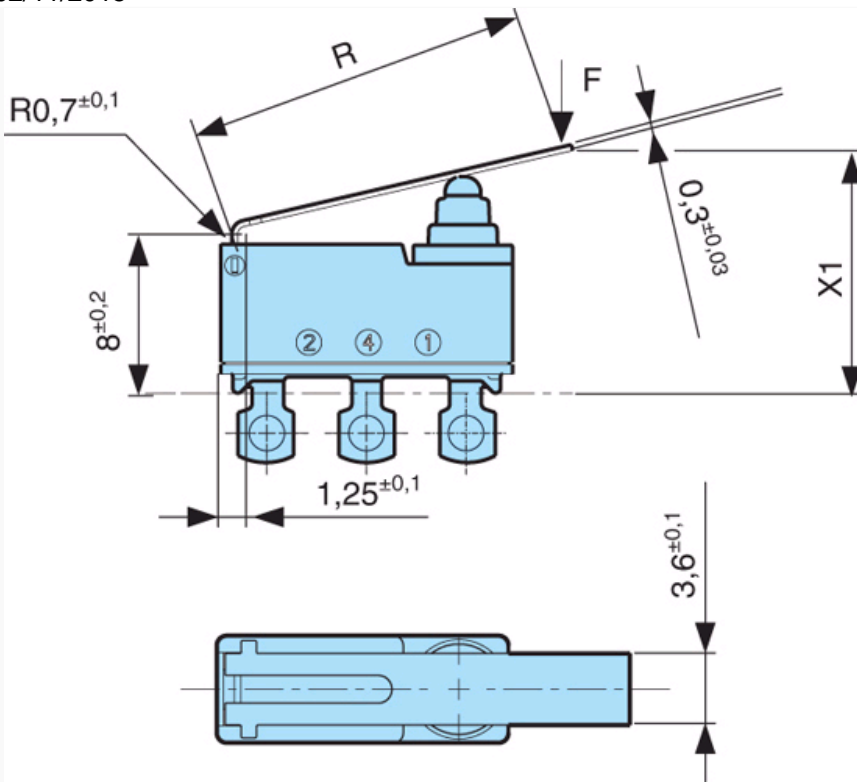


Black : 1 Grey : 2 Blue : 4 Cross-section : 0.35 mm² Standard length : 500 mm PVC insulation

Dimensions (mm)

Actuators

Hinged flat lever

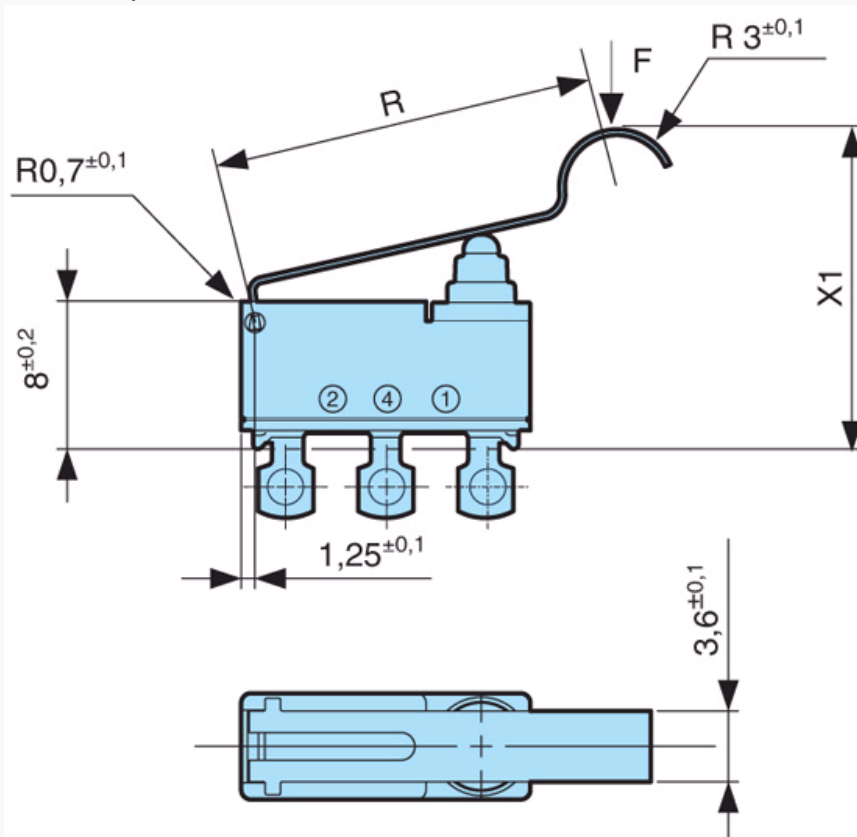


Black : 1 Grey : 2 Blue : 4 Cross-section : 0.35 mm² Standard length : 500 mm PVC insulation

Dimensions (mm)

Actuators

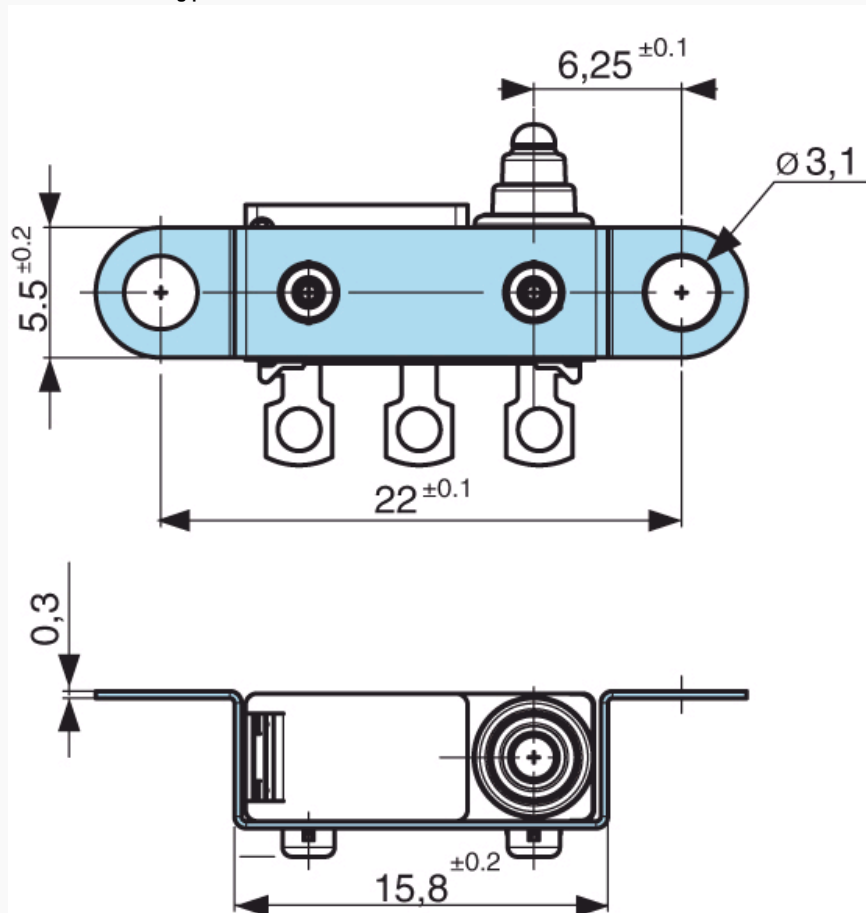
Flexible dummy roller lever



Black : 1 Grey : 2 Blue : 4 Cross-section : 0.35 mm² Standard length : 500 mm PVC insulation

Dimensions (mm)




Stainless steel fixing plate



Black : 1 Grey : 2 Blue : 4 Cross-section : 0.35 mm² Standard length : 500 mm PVC insulation

Connections

Actuators and fixing positions

Actuators				
Flexibles actuators	Flat	Flat	Dummy roller	
				
	200 AF R15	200 AF R20	200 FF R17	
Max. operating force (N)	1.5	1.3	1.5	
Min. release force (N)	0.1	0.05	0.1	
Operating position (mm)	11.4 ^{±0.1} *	12.2 ^{±0.1} *	14.75 ^{±0.1} *	

* according to dimension X1

Mounting accessories	
Stainless steel mounting flange	

Other information

Installation
See standard technical sales brochure

Applications