

Counter Rotating Fan

40mm sq.

San Ace 40

48mm thick (CRA type)
56mm thick (CRE type)
56mm thick (CRA type)



General Specifications With a pulse sensor

- Material Frame: Plastics (Flammability: UL94V-0),
Impeller: Plastics (Flammability: UL94V-0)
- Life Expectancy Varies for each model (L10: Survival rate: 90% at 60°C, rated voltage, and continuously run in a free air state)
- Lead Wire Inlet ⊕red ⊖black Sensor yellow
Outlet ⊕orange ⊖gray Sensor purple
- Storage Temperature -30°C to +70°C (Non-condensing)

40×40×56mm

 (Mass : 90g)

CRA type


Specifications

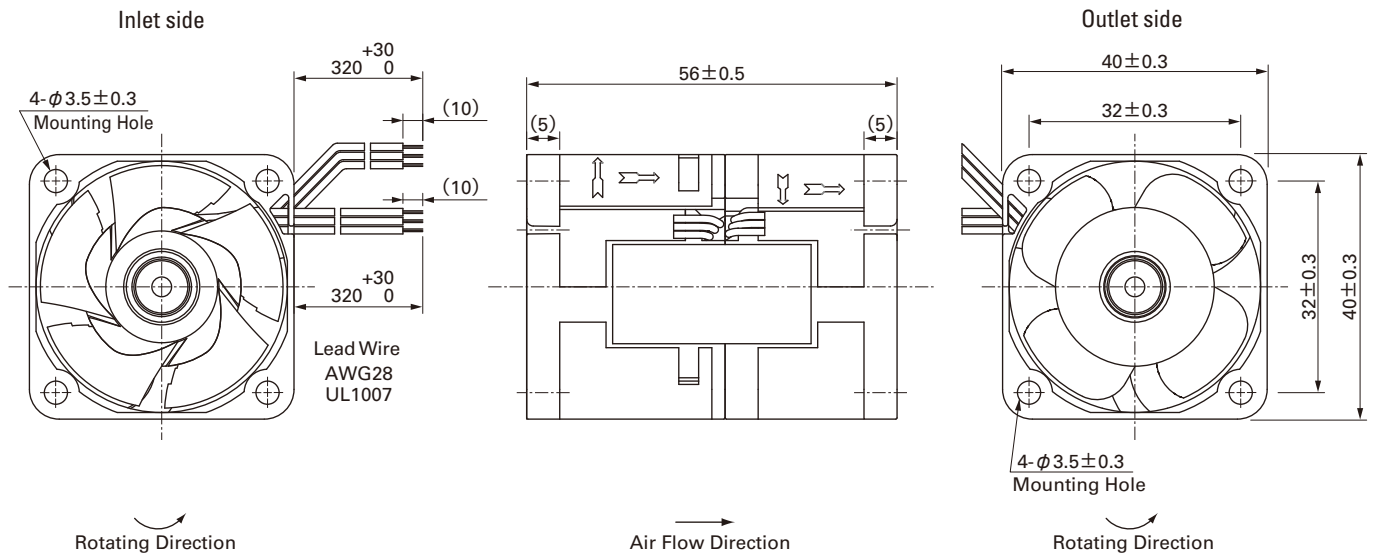
Model No.	Rated Voltage [V]	Operating Voltage Range [V]	Rated Current [A]	Rated Input [W]	Rated Speed [min ⁻¹]		Air Flow [m ³ /min] [CFM]		Static Pressure [Pa] [inchH ₂ O]		SPL [dB(A)]	Operating Temperature [°C]	Life Expectancy [h]
					Inlet	Outlet							
9CRA0412K501	12	10.8 ~ 12.6	1.8	21.6	17,000	13,000	0.95	33.5	650	2.61	65	-10 ~ +60	30,000
9CRA0412J501		10.8 to 13.2	1.4	16.8	15,800	12,200	0.90	31.8	570	2.29	62	-10 to +70	40,000
9CRA0412G501				1.0	12.0	14,000	10,400	0.77	27.2	435	1.75	59	

※PWM Frequency : 25kHz
Without Sensor **Pulse Sensor** Available in all models.

Lock Sensor
PWM Control

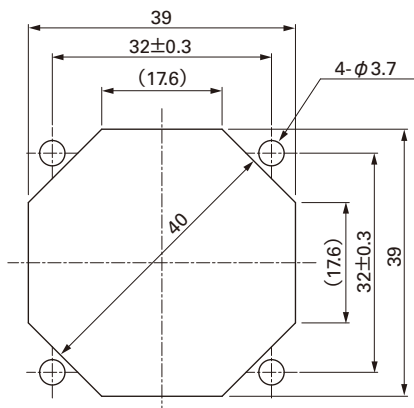
Please inquire as the availability of these functions depend on the model.

Dimensions (Unit : mm)



Reference dimension of mounting holes and vent opening (Unit : mm)

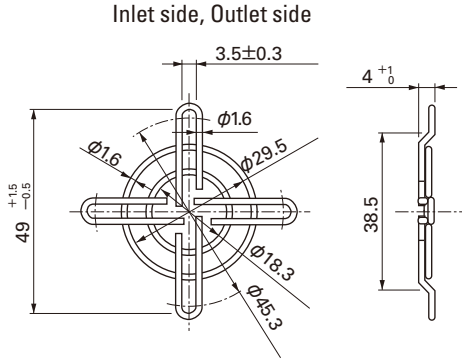
Inlet side, Outlet side



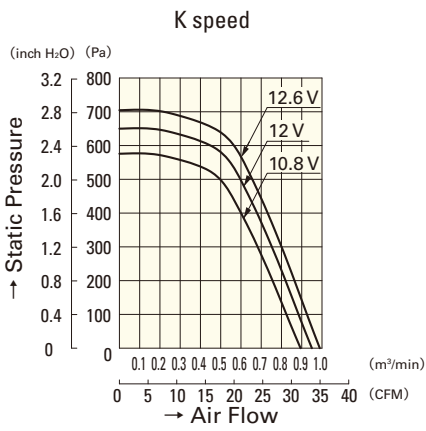
Options (Unit : mm)

Finger guards

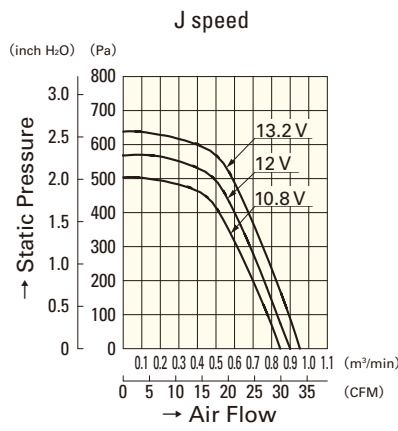
Model : 109-059 Surface treatment : Nickel-chrome plating (silver) Color



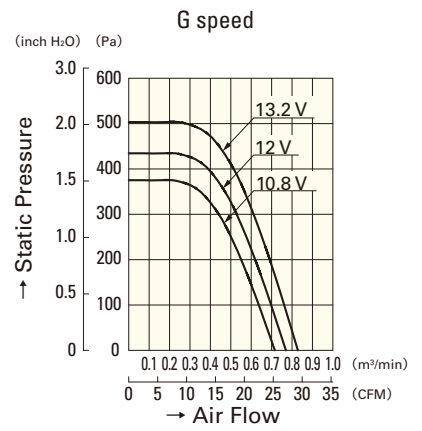
Air Flow and Static Pressure Characteristics



9CRA0412K501



9CRA0412J501



9CRA0412G501