

**36**mm sq.

# San Ace 36

28mm thick (GV type)



**General Specifications** With a pulse sensor Specifications for pulse sensors ⇔ Refer to Page 309

- Material ..... Frame: Plastics (Flammability: UL94V-0),  
Impeller: Plastics (Flammability: UL94V-1)
- Expected Life ..... Varies for each model (L10:Survival rate:90% at 60°C ,  
rated voltage, and continuously run in a free air state)
- Lead Wire ..... ⊕red ⊖black Sensor yellow
- Storage Temperature ..... -20°C to +70°C (Non-condensing)

**36×36×28mm** (Mass : 46g)

**GV type**

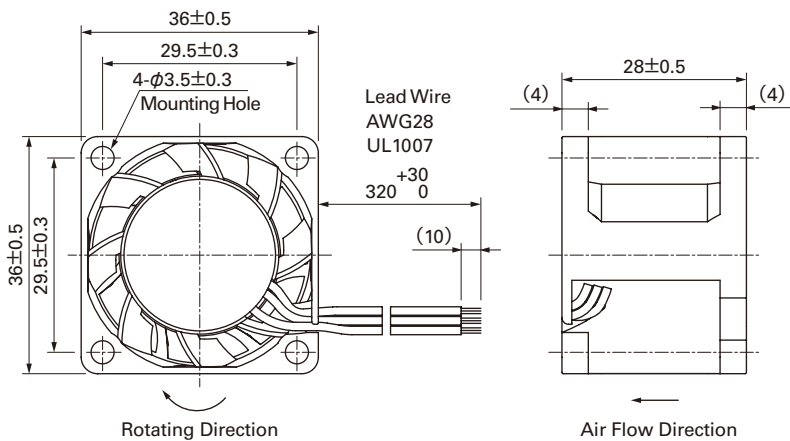
**Specifications**

Model No.	Rated Voltage [V]	Operating Voltage Range [V]	Rated Current [A]	Rated Input [W]	Rated Speed [min <sup>-1</sup> ]	Max. Air Flow [m <sup>3</sup> /min] [CFM]	Max. Static Pressure [Pa] [inchH <sub>2</sub> O]	SPL [dB(A)]	Operating Temperature [°C]	Expected Life [h]
9GV3612J301	12	7.0 to 13.2	0.75	9.0	19,000	0.55 19.4	525 2.108	58.5	-10 to +60	40,000
9GV3612G301			0.34	4.08	14,000	0.40 14.1	275 1.104	52.0		

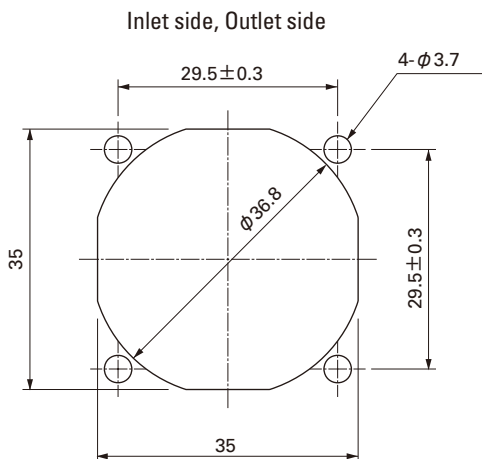
Without Sensor Pulse Sensor Available upon request for all the models above.

Lock Sensor PWM Control Please inquire as the availability of these functions depend on the model.

**Dimensions (Unit : mm)**



**Reference dimension of mounting holes and vent opening (Unit : mm)**

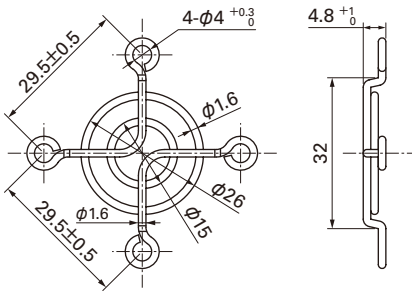


**Options (Unit : mm)**

**Finger guards**

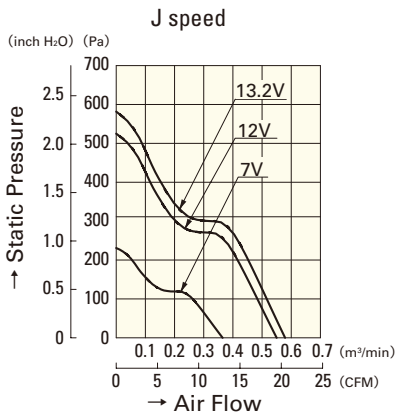
Model : 109-1050 Surface treatment : Nickel-chrome plating (silver) Color

Inlet side, Outlet side

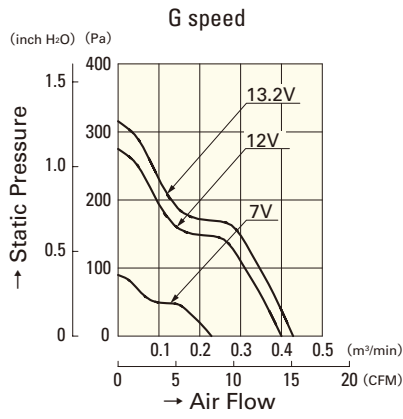


DC Fan 36mm

**Air Flow - Static Pressure Characteristics**



**9GV3612J301**



**9GV3612G301**

36mm