

ROTARY SWITCHES



ANQ SERIES

SPECIFICATIONS

Operating Force

- Rotation - Max.60 gf-cm
- 5 way switch - Max. 300 gf

Contact Resistance (initial)

- Max. 300mΩ
- Measured by ohm meter - open voltage <1VDC, Driver current -100mA

Insulation Resistance (at 100VDC/minute)

- Min. 100MΩ

Operating Temperature Range

- 0°C to 40°C

Electrical Service Life

- Rotation - Min. 200,000 operations
- C.W. 100,000 & C.C.W 100,000operations
- Push - Min. 200,000 operations

Electrical Operating Frequency

- Rotation - 30 operations per minute
- Push - 120 operations per minute

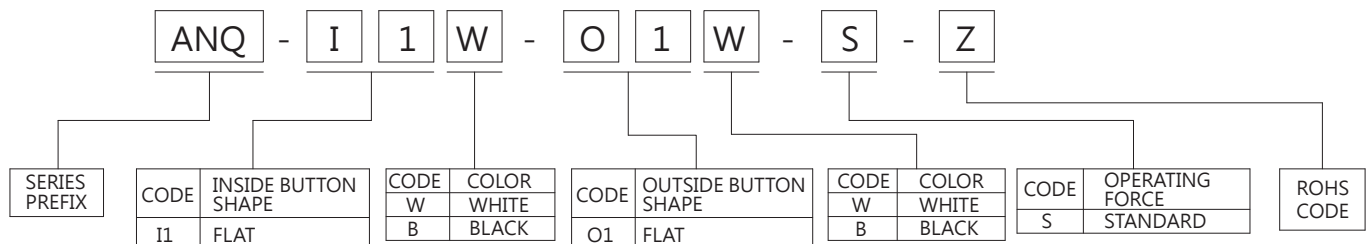
RATING

- 1mA 10VDC

APPLICATIONS

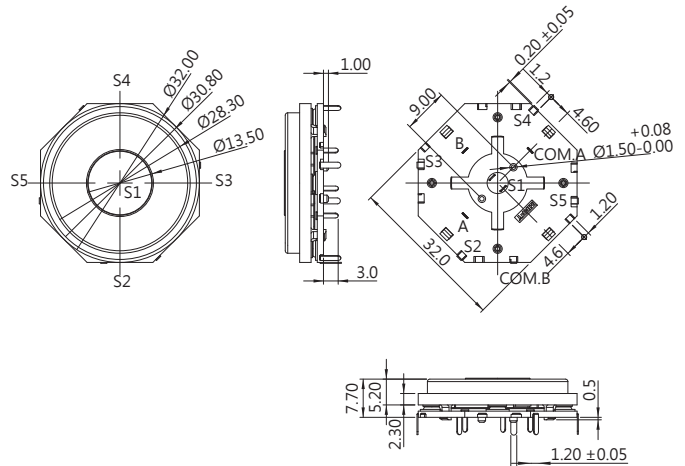
- Remote controls, Tablets, Keyboards, Audios, Mp3 players, Notebooks, Mobile phones, Control Panel

ORDERING INFORMATION

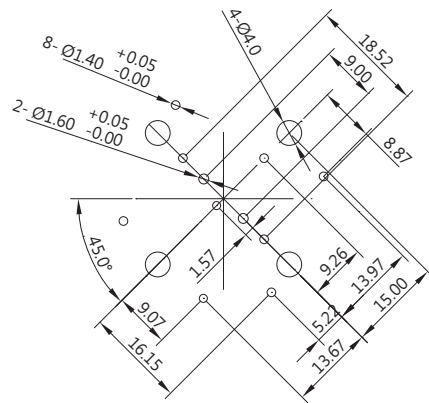


DIMENSIONS

Unless otherwise specified, a tolerance of ±0.4mm applies to all dimensions.

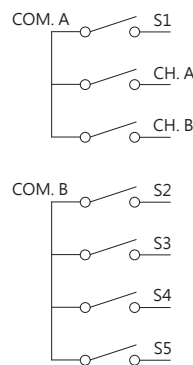


MOUNTING HOLES

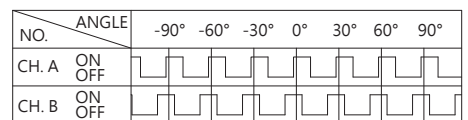


CONTACT CONFIGURATION

Functional Block Diagram



Rotational Output Waveform



CW ← → CCW

Numbers of detent : 24
Pulse/Rotation : 12 pulse/360°