

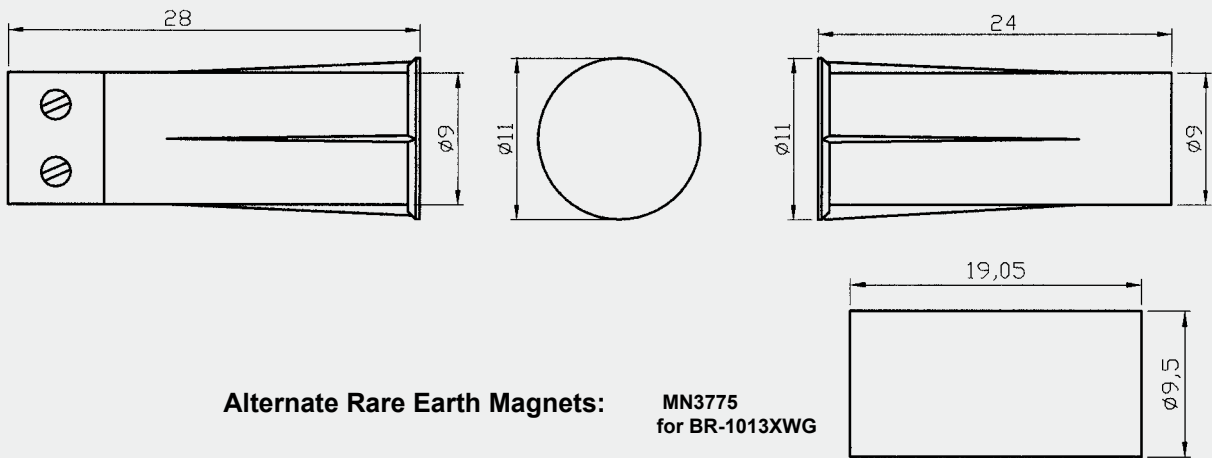
**Specification: BR-1013T**

- \* 3/8" diameter press to fit
- \* Terminal block for quick connecting
- \* Switch and Magnet available separately
- \* Build-in Resistors or Diodes on quest
- \* Colors: White, Brown, Grey

... Recessed Mounted



**Dimension (mm):**



**Order Information:**

Part Number	Loop Type	Reed Form	Closed Gap [Inch(mm)]	Depature Gap [Inch(mm)]	Maximum Initial Contact Resistance (Ohm)	Maximum Contact Rating (W)	Maximum Switching Voltage (VDC/VAC)	Maximum Switching Current (A)
BR-1013T	Closed	N/O	<sup>15</sup> / <sub>16</sub> (23)	0.87 (25)	0.150	10	100	0.5
BR-1013TXWG	Closed	N/O	1 <sup>1</sup> / <sub>2</sub> (37)	1.61 (41)	0.150	10	100	0.5
BR-1013TA	Open	N/C	<sup>3</sup> / <sub>4</sub> (19)		0.150	3	30	0.2

Note: Wire Range: #20~#24AWG