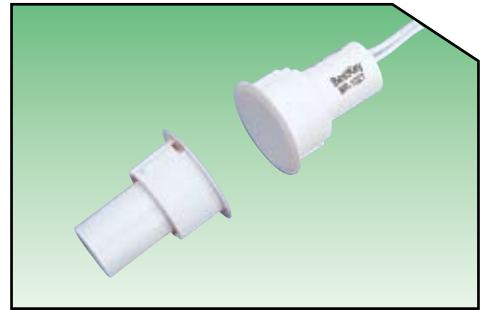


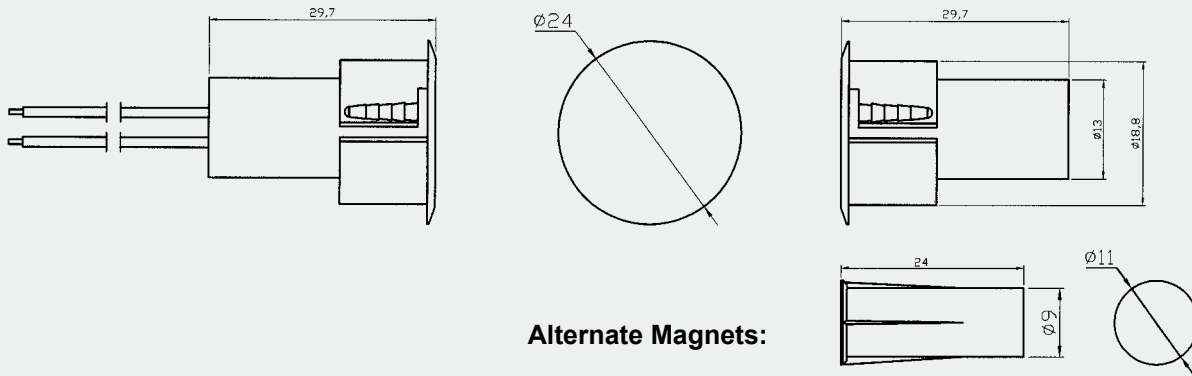
Specification: BR-1021

- * 3/4" diameter press to fit
- * Suitable for steel door install
- * Self-locking
- * Standard 18" #22AWG leads
- * Special leads available
- * Switch and Magnet available seperately
- * Resistor, Diode and Supervisory Loop available on request
- * Colors: White, Brown, Grey

... Recessed Mounted



Dimension (mm):



Alternate Magnets:

M3710C for BR-1021MM

Order Information:

| Part Number | Loop Type | Reed Form | Closed Gap (in steel door) [Inch(mm)] | Depature Gap (in steel door) [Inch(mm)] | Maximum Initial Contact Resistance (Ohm) | Maximum Contact Rating (W) | Maximum Switching Voltage (VDC/VAC) | Maximum Switching Current (A) |
|-------------|---------------|-----------|---------------------------------------|-----------------------------------------|------------------------------------------|----------------------------|-------------------------------------|-------------------------------|
| BR-1021 | Closed | N/O | 3/4 (19) | 0.95 (24) | 0.150 | 7.5 | 100 | 0.4 |
| BR-1021MM | Closed | N/O | 1 (23)(in wood) | 1 (25) | 0.150 | 7.5 | 100 | 0.4 |
| BR-1021WG | Closed | N/O | 1 (25) | | 0.150 | 7.5 | 100 | 0.4 |
| BR-1021A | Open | N/C | 5/8 (15) | | 0.150 | 3 | 30 | 0.2 |
| BR-1021C | Closed & Open | SPDT | 5/8 (15) | | 0.150 | 3 | 30 | 0.2 |
| BR-1021D | DPDT | 2SPDT | 1/2 (12) | | 0.150 | 3 | 30 | 0.2 |

Note: Gap will increase twice for installations other than steel

* These magnetic contact switches shall be installed so that a door or other movable opening cannot be opened more than 2 inches (51mm) without initiating an alarm. Switches exceeding 2 inches can not be installed per UL681-the Standard for installation and Classification of Burglar and Holdup Alarm