

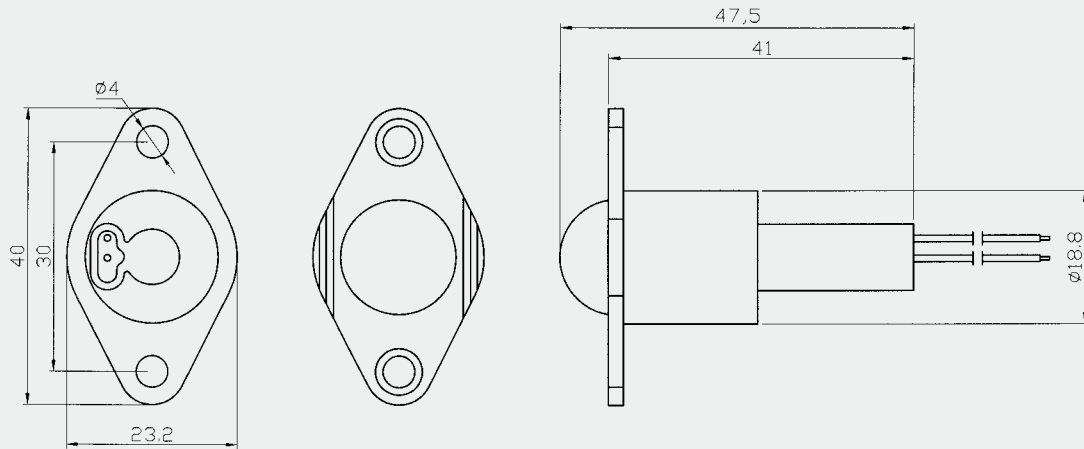
**Specification: BR-1031**

- \* Roll plunger flush type
- \* Work from 360 degree directions
- \* 3/4" diameter
- \* Standard 18" #22AWG leads
- \* Special leads available
- \* Spacer and screws included
- \* Resistor, Diode and Supervisory Loop available on request
- \* Colors: White or Brown

... Roll Ball Switch



**Dimension (mm):**



**Order Information:**

Part Number	Loop Type	Reed Form	Closed Gap (total travel) [Inch(mm)]	Maximum Initial Contact Resistance (Ohm)	Maximum Contact Rating (W)	Maximum Switching Voltage (VDC/VAC)	Maximum Switching Current (A)
BR-1031	Closed	N/O	1/4 (6)	0.150	10	100	0.5
BR-1031A	Open	N/C	1/4 (6)	0.150	3	30	0.2
BR-1031C	Closed & Open	SPDT	1/4 (6)	0.150	3	30	0.2

Note: Total Travel: .236 inch (6mm)

Pre Travel: .07 +/- .03 inch (1.75 +/- .75 mm)