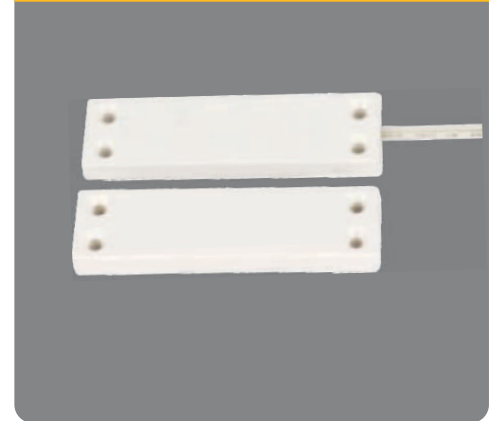


## SURFACE MOUNT

### Specification

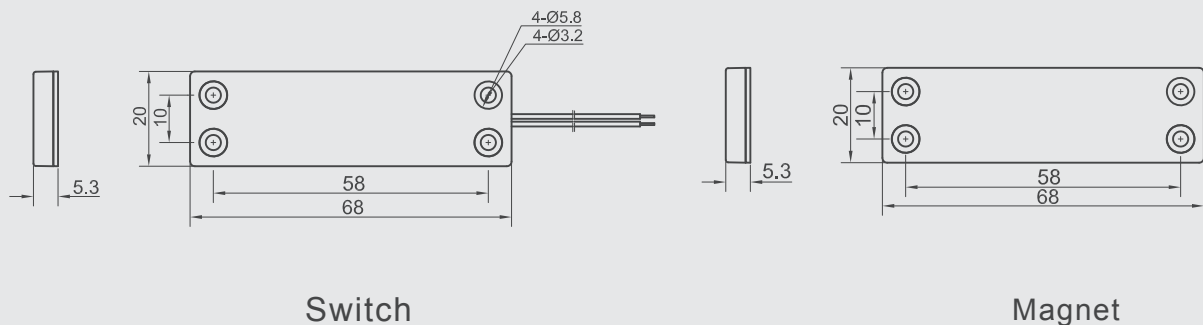
- ◀ Flat slim contacts for where minimum thickness required
- ◀ Concealed mounting, suitable for Vasistas fixtures
- ◀ Side leads with #22AWG 18" length
- ◀ 4-core cable available upon request
- ◀ Screws mounting
- ◀ Resistor, Diode available
- ◀ Switch or magnet available separately
- ◀ Color: White or Brown

### BS-2018



### Dimension

(Unit:mm)



Switch

Magnet

### Order Information

Part Number	Loop Type	Reed Form	Closed Gap [Inch(mm)]	Depature Gap [Inch(mm)]	Maximum Initial Contact Resistance (Ohm)	Maximum Contact Rating (W)	Maximum Switching Voltage (VDC /VAC)	Maximum Switching Current (A)	Certification
BS-2018	Closed	N/O	1(25)	1.05 (26)	0.20	10	100	0.5	
BS-2018A	Open	N/C	1(25)		0.20	3	30	0.2	
BS-2018C	Open/Closed	SPDT	1(25)		0.20	3	30	0.2	