

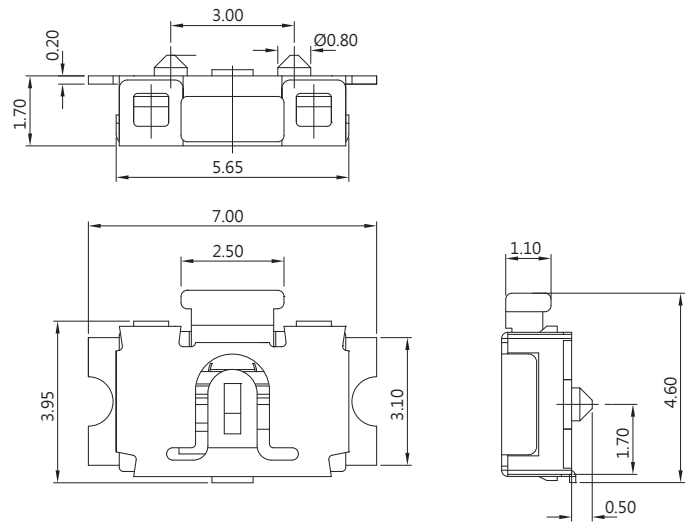
SIDE MINI SWITCHES



BS SERIES

DIMENSIONS

Unless otherwise specified, a tolerance of $\pm 0.4\text{mm}$ applies to all dimensions.



SPECIFICATIONS

Operating Frequency

30 operation/min.

Contact Resistance (Initial)

3 Ω Max.

Measured by ohm meter –open voltage <1VDC, driver current -100mA

Insulation Resistance (At 100VDC)

10M Ω Min.

Electrical Service Life

100,000 operations.

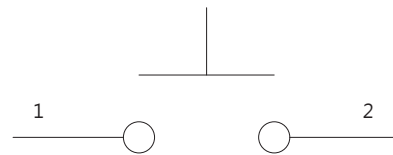
Electrical Operating Frequency

30 operations per minute

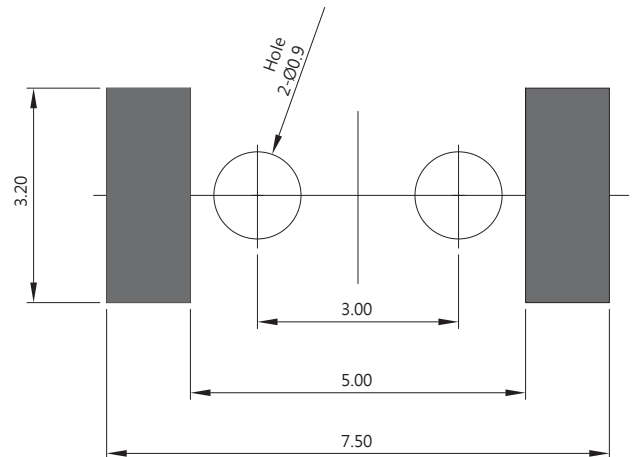
Operating Temperature range

0°C to 55°C

CONTACT CONFIGURATION



MOUNTING HOLES



RATING

50mA 30VDC

APPLICATIONS

Mp3 Players, PDA, Digital Cameras, Mobile Phone.

ORDERING INFORMATION

