

MICRO SWITCHES



DF3 SERIES

SPECIFICATIONS

Contact Resistance (initial)

Max. 100mΩ

Measured by ohm meter - open voltage < 1VDC, driver current -100 mA

Insulation Resistance (at 500VDC/minute)

Min. 100MΩ

Dielectric Strength

1500VAC (50~ 60Hz)

Storage Temperature Range

-25°C to 85°C (with no icing)

Operating Temperature Range

-40°C to 85°C (with no icing)

Storage Humidity

At 40°C , Max. 85% R.H

Vibration

10~55Hz, displacement 0.75 mm (p-p)

Electrical Service Life

3A~5A - Min. 10,000 operations

Electrical Operating Frequency

3A~5A - 10~30 operations per minute

Mechanical Service Life

Min. 5,000,000 operations

Mechanical Operating Frequency

120 operations per minute

APPLICATIONS

Mouses, Joysticks, Small home appliances, Central heating control

CERTIFICATE INFORMATION

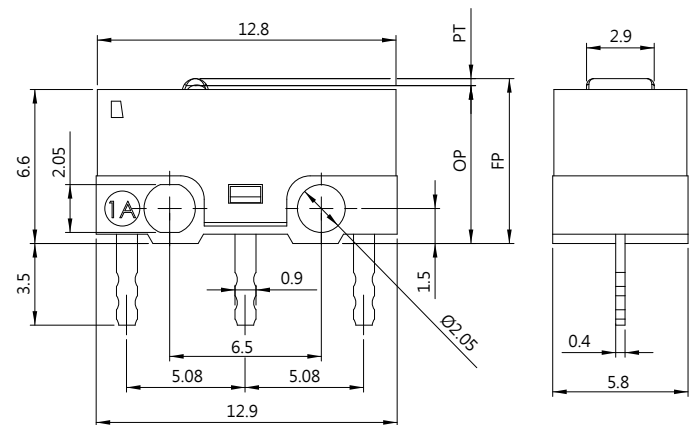
Model Name	cULus · ENEC15
DF3-03	3A 125/250VAC, 3A 24VDC (Normal temperature) Min. 10,000 operations
DF3-S3	3A 125VAC Min. 50,000 operations (Normal temperature)
	3A 250VAC Min. 30,000 operations
	3A 24VDC Min. 10,000 operations
DF3-05	5A 125/250VAC, 3A 24VDC (Temp:85°C) Min. 10,000 operations

SPECIAL APPLICATIONS FOR GAMING MOUSE

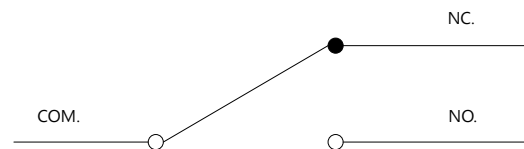
DF3-0.1A, Min. 20,000,000 operations

DIMENSIONS

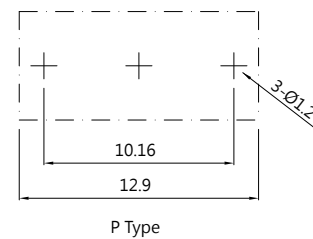
Unless otherwise specified, a tolerance of ±0.4mm applies to all dimensions.



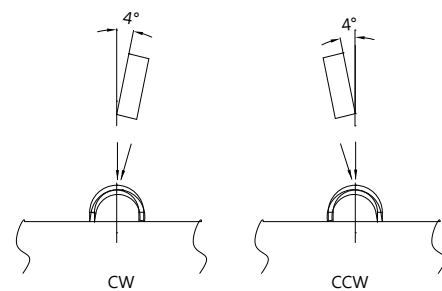
CONTACT CONFIGURATION



MOUNTING HOLES



PRESSING DIRECTION IS SUGGESTED TO BE VERTICAL AND WITH +/-4



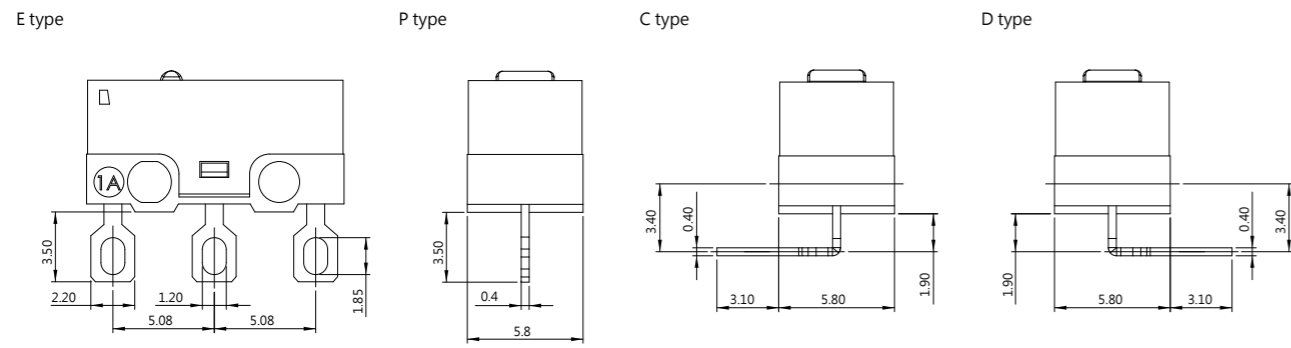
Available for the model that mouse has stoppers added more than Min.0.1mm

THE SELECTION OF RATING & FORCE

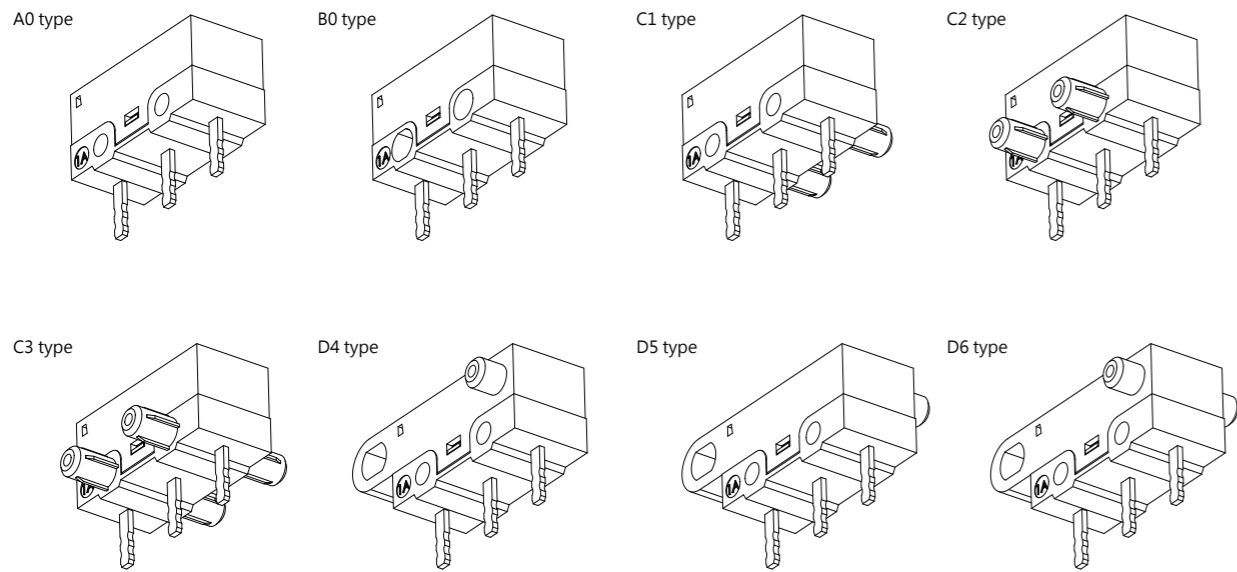
Model	Rating	L	S
DF3	3A	*	*
	5A	*	*

NOTE : The Symbol " * " to represent the result is accepted

TERMINAL TYPES



PILLAR TYPES



ORDERING INFORMATION

DF3 - 03 S 1 - 01 P 0 C 1 - 0A - Z

CODE	DESCRIPTION
DF3	SERIES PREFIX
03	RATING CURRENT 3A 125/250VAC Min.10,000 operations 3A 24VDC Min.10,000 operations
S	OPERATING FORCE S STANDARD L LIGHT
1	STRUCTURE TYPE 0 SINGLE BLADE
01	ACTUATOR TYPE 00 01 02
P	TERMINAL TYPE C D E P
0	CIRCUIT ARRANGEMENT 0 S.P.D.T 1 S.P.S.T NO 2 S.P.S.T NC
C	PILLAR & MOUNTING HOLES TYPE A B C
1	PILLAR TYPE 0 WITHOUT PILLAR 1 2 3
0A	SPECIAL CODE
Z	ROHS CODE

CODE	L1	H	ΦA	ΦB	ΦC	ΦD	P
A	3.15	5.10	2.05	2.45	2.05	2.45	6.50

CODE	L1	H1	H2	ΦA	ΦB	P
A	1.95	1.85	2.05	2.05	2.55	13.05

OPERATING CHARACTERISTICS

SWITCH TYPE	PART SUFFIX	OF Max. (gf)	OP (mm)	PT Max. (mm)	OT Min. (mm)	MD Max. (mm)	FP Max. (mm)	RF Min. (gf)
DF3- □□□-0□-Z	L	80	7.0±0.2	0.5	0.2	0.12	7.50	21
	S	150						35
DF3- □□□-1□-Z	L	30	8.2±0.8	3.4	0.6	0.8	10.1	5
	S	56						8
DF3- □□□-2□-Z	L	25	10.2±0.8	3.5	0.7	0.7	14.2	5
	S	43						7
DF3- □□□-3□-Z	L	35	7.9±0.5	2.1	0.3	0.4	9.3	5
	S	57						12
DF3- □□□-4□-Z	L	36	8.0±0.6	2.5	0.5	0.7	10.8	6
	S	60						10
DF3- □□□-5□-Z	L	50	9.2±0.6	1.64	0.49	0.3	10.15	7
	S	75						11
DF3- □□□-6□-Z	L	30	8.33±0.9	3.5	0.6	0.8	10.6	5
	S	50						8
DF3- □□□-7□-Z	L	27	10.75±0.9	3.5	0.3	0.8	13.5	3
	S	48						8
DF3- □□□-8□-Z	L	33	8.15±0.7	2.8	0.6	0.7	11.2	5
	S	54						9
DF3- □□□-9□-Z	L	13	9.5±1.7	6.9	0.55	1.9	16.8	2
	S	21						3