

規格承認書

SPECIFICATION FOR APPROVAL

客戶名稱：
(CUSTOMER)

客戶料號：
(PART NO)

品名規格：
(DESCRIPTION)

DFB351005L

送樣日期：
(SENDING DATE)

2010-2-7

客戶簽章： SIGNATURE	永林興電子(深圳)有限公司制作		
	審核： REPORTED BY	確認： CHECK BY	作成： APPROVED BY
	周向阳	吴明峰	李燕红

敬請“客戶簽章”欄簽核後將零件承認書回傳永林興公司，以便後續作業，謝謝!



Y L TECH(HK)CO.

永林興 科技有限公司
YOUNG LIN TECH CO.,LTD.

致宣電子深圳有限公司
ZHI XUAN ELECTRONICS(SHENZHEN)CO.,LTD.

永林興電子(深圳)有限公司
YONG LIN XING ELECTRONICS(SHENZHEN)CO.,LTD.

ISO9001(2000)
ISO14001
CERTIFIED SUPPLIER

<http://www.yltc.cn>

SPECIFICATION FOR APPROVAL

.

TO: ████████	SAMPLE ISSUE NO.: YLM0100159-1
MODEL:DFB351005L	SAMPLE ISSUE DATE: 2010-2-7
PART NAME: DC FAN(RoHS)	SAMPLE QTY: 4PCS
	REV: 0

1. SCOPE:

THIS SPECIFICATION DEFINES THE ELECTRICAL AND MECHANICAL CHARACTERISTICS OF THE DC BRUSHLESS FAN.THE FAN MOTOR IS WITH TWO PHASES AND FOUR POLES.

2. CHARACTERS:

ITEM	DESCRIPTION
RATED VOLTAGE	5VDC
OPERATION VOLTAGE	4~6VDC
STARTING VOLTAGE	4.5VDC(ON/OFF)
INPUT CURRENT	0.14±0.02A
SPEED (10 MINUTE/ ROOM TEMPERATURE 25°C)	5000 RPM±25%
AIR FLOW (AT ZERO STATIC PRESSURE)	3.51CFM
AIR PRESSURE (AT ZERO AIRFLOW)	1.28mmH ₂ O
ACOUSTICAL NOISE (AVG.)	20.88dB-A
SAFETY TYPE	UL TUV CE

客户签章: SIGNATURE	YONG LIN XING ELECTRONICS(SHENZHEN)CO.,LTD		
	APPROVED BY:	CHECKED BY:	PREPARED BY:
	周向阳	吴明峰	李燕红

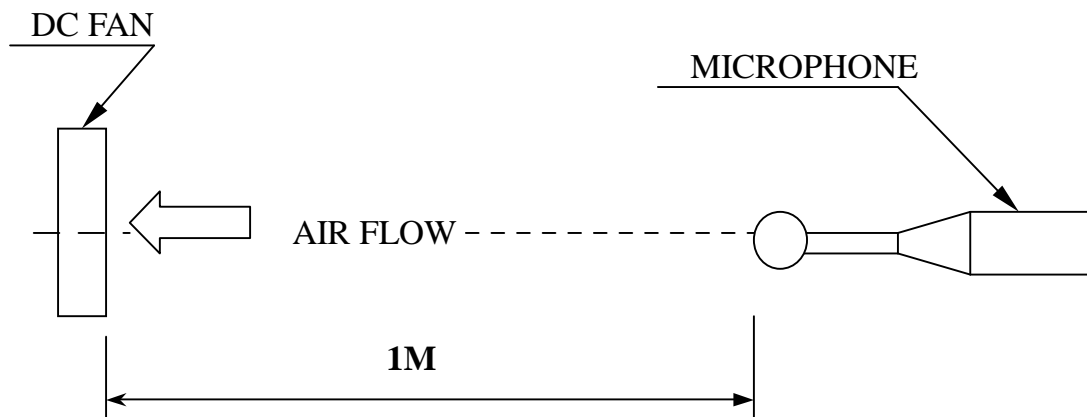
(Continued)

YOUNG LIN TECH CO., LTD,

MODEL: DFB351005L

INSULATION STRENGTH	10 MEG OHM MIN. AT 500 VDC (BETWEEN FRAME AND (+) TERMINAL)
DIELECTRIC STRENGTH	5 mA MAX. AT 500 VAC 60 Hz ONE MINUTE, (BETWEEN FRAME AND (+) TERMINAL)
LIFE EXPECTANCE	50,000 HOURS CONTINUOUS OPERATION AT 25°C WITH 15~65 %RH.
ROTATION	WIDDERSHINS VIEW FROM FRAME PLATE SIDE
OVER CURRENT SHUT DOWN	INAPPLICABILITY
LEAD WIRE	UL 1061 -AWG #28 BLACK BLACK : (-) RED RED : (+)

- NOTES: 1. ALL READINGS ARE MEASURED AFTER STABLY WARMING UP THROUGH 10 MINUTES.
2. THE VALUES WRITTEN IN PARENS, ARE LIMITED SPEC.
3. ACOUSTICAL NOISE MEASURING CONDITION:



NOISE IS MEASURED AT RATED VOLTAGE IN FREE AIR IN ANECHOIC CHAMBER WITH B & K SOUND LEVEL METER WITH MICROPHONE AT A DISTANCE OF ONE METER FROM THE FAN INTAKE

YOUNG LIN TECH CO., LTD,

MODEL: DFB351005L

3. MECHANICAL:

- 3-1. DIMENSIONS — — — — — -SEE DIMENSIONS DRAWING
- 3-2. FRAME — — — — — PLASTIC UL: 94V-0
- 3-3. IMPELLER — — — — — PLASTIC UL: 94V-0
- 3-4. BEARING SYSTEM — — — — — TWO BALL BEARING
- 3-5. WEIGHT — — — — — 10GRAMS

4. ENVIRONMENTAL:

- 4-1. OPERATING TEMPERATURE — — — — — -10 TO + 70 DEGREE C
- 4-2. STORAGE TEMPERATURE — — — — — -40 TO + 75 DEGREE C
- 4-3. OPERATING HUMIDITY — — — — — 5 TO 90 % RH
- 4-4. STORAGE HUMIDITY — — — — — 5 TO 95% RH

5. PROTECTION:

5-1. DROP TEST

IN MINIMUM PACKAGING CONDITION FAN WITHSTANDS EACH ONE DROP OF THREE FACES FROM 30 CM DISTANCE HEIGHT ONTO 10 MM THICKNESS OF WOODEN BOARD.

5-2. LOCKED ROTOR PROTECTION

IMPEDANCE OF MOTOR WINDING PROTECTS MOTOR FROM FIRE IN 15 MINUTE OF LOCKED ROTOR CONDITION AT THE RATED VOLTAGE.

6. RE OZONE DEPLETING SUBSTANCES;

6-1.RESTRICTION SUBSTANCES OF SAMPLE ARE AS FOLLOWS:

Pb(PPM)<1000	Cd(PPM)<100	Hg(PPM)<1000
Cr6 ⁺ (PPM)<1000	PBBs (PPM)<1000	PBDEs (PPM)<1000

YLTC	Research & Development Department		
	Approved BY: 周向阳	Checked BY: 吴明峰	Prepared BY: 李燕红

IMPORTANT NOTES & GENERAL INSTRUCTIONS

1. Any item which is needed to add into specification shall be determined on customer's prior written request. If no information given , fan will be delivered based on our standard judgment.

2. Customer shall confirm the matching and reliability of fan on actual set or unit application.

This include confirmation on set or unit life, electrical noise, mechanical noise, Vibration , static electricity ,electric power noise ,drift ,electric resonance between

motor and control circuit ,mechanical resonance between motor and chassis, irregular movement of set due to motor noise ,irregular movement of set in strong electromagnetic field ,damaged by lightning surge earthing method etc

3. In order to improve the performance within the scope of specification, parts or material changes are subject to prior notice to customer.

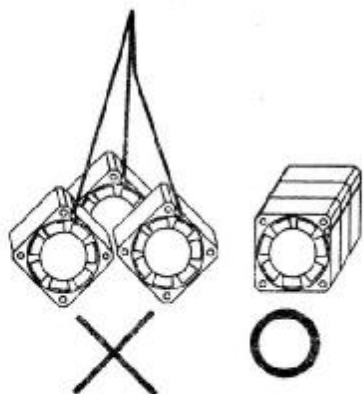
4. Any revisions on the specification shall be done based on mutual discussion and agreement.

5. When any trouble occurs, both parties shall discuss on this specification to solve the matters. In this case, our guarantee is only limited to fans

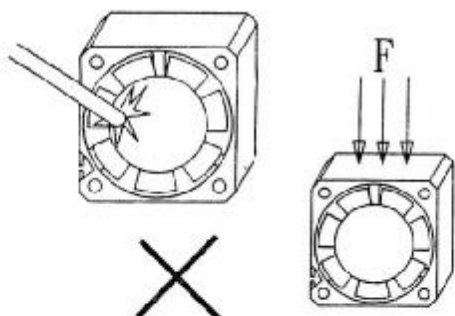
風扇使用注意事項



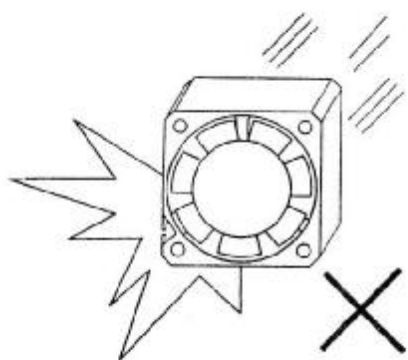
HOW TO HANDLE FAN PROPERLY?



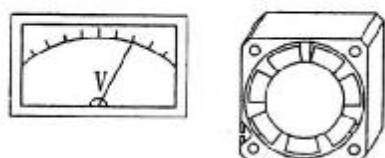
1. 取用風扇, 輕取外框兩側, 不可拉扯導線.
1. Hold the fan by frame side. Do not hold lead wires to support the fan.



2. 取用風扇, 不可碰觸或擠壓扇葉與外框.
2. No touching or pressing on the impeller hub. Avoid crushing the frame side.



3. 風扇嚴禁掉落地面, 或敲擊外框任何面.
3. Do not drop on the ground. Do not pound on the frame side.



4. 風扇電源需依照規格電壓安裝使用.
4. Connect leads properly and apply voltage according to specification.

NOMENCLATURE:

Model	DF	S	20	06	12	H
	1	2	3	4	5	6

1. Series Name: DF = DC Fan
2. Bearing Type: B = Two Balls
C = One Ball And One Sleeve
S = Sleeve
3. Frame Size: 20 = 20 mm long by 20 mm wide
35 = 35 mm long by 35 mm wide
22 = 220 mm OD
4. Frame Height: 06 = 6 mm
10 = 10 mm
30 = 30 mm
5. Voltage: 12 = 12 V dc
05 = 05 V dc
6. Speed: H = High Speed
M = Medium speed
L = Low Speed



Product Service

CERTIFICATE
 No. B 07 05 34564 013

Model(s):

DFx2006yz Series, DFx3510yz Series, DFx2230yz Series
 Difference

DF x 2006 y z
 1 2 3 4 5

1 = Commercial Code

D: DC

F: FAN

2 = Bearing type

"x" can be C, B or S

"C" : 1 Ball 1 Sleeve

"B" : 2 Ball

"S" : 1 Sleeve

3 = Frame size by Fan thick

"2006" : 20 x 20 by 6 mm

"3510" : 35 by 35 by 10 mm

"2230" : ø220 by 30 mm

4 = Input Voltage

"y" can be 05 or 12

"05" : 05 Vdc

"12" : 12 Vdc

5 = Fan speed

"z" can be H, M or L

"H" : High speed

"M" : Medium speed

"L" : Low speed

Parameters:

Rated input voltage:	5 or 12 Vdc
Rated input current:	See attachment
Protection class:	III
Max. ambient temperature:	40°C
Degree of protection against ingress of liquids:	Ordinary

Remark: When installing, all requirements of below mentioned test standards must be fulfilled.

Tested according to:

EN 60950-1/A11:2004

Production Facility(ies):

52640

Page 2 of 3

Bill X

Test Report Certification

Issued Date : 2007/11/12

Report No. : 07A085R-ITCEP07V04



Product Name : DC Fans
 Applicant : Young Lin Tech. Co., Ltd.
 Address : No. 175, Hsin I Rd., Ta Pi Hsiang, Yun Lin Hsien, Taiwan, R.O.C.
 Manufacturer : Young Lin Tech. Co., Ltd.
 Model No. : DFS200605H;DFS200605M;DFS351005H;DFS351005M; DFS351005L;DFC351005H;DFC351005M;DFC351005L; DFB351005H;DFB351005M;DFB351005L;DFS400705H; DFS400705M;DFB400705H;DFB400705M;DFS402805H; DFS402805M;DFS402805L;DFB402805H;DFB402805M; DFB402805L;DBS551205M;DBB551205M;DBC551205M; DFS701505H;DFS701505M;DFS701505L;DFB701505H; DFB701505M;DFB701505L;DFC701505H;DFC701505M; DFC701505L;DFS802505H;DFS802505M;DFS802505L; DFB802505H;DFB802505M;DFB802505L;DFC802505H; DFC802505M;DFC802505L
 Rated Voltage : AC 230 V / 50 Hz
 EUT Voltage : DC 5V
 Trade Name : YLTC
 Applicable Standard : EN 55022: 1998+A1: 2000+A2: 2003 Class B
 EN 55024: 1998+A1: 2001+A2: 2003
 EN 61000-3-2:2000+A2:2005
 EN 61000-3-3:1995+A1:2001
 Test Result : Complied
 Performed Location : Quietek Corporation (Linkou Laboratory)
 No.5-22,Ruei-Shu Valley, Ruei-Ping Tsuen Lin Kuo Shiang,
 Taipei, 244 Taiwan, R.O.C.
 TEL:+866-2-8601-3788 / FAX:+886-2-8601-3789

Documented By : Leven Huang
 (Engineering Adm. Assistant / Leven Huang)

Reviewed By : Sampras Yen
 (Assistant Engineer / Sampras Yen)

Approved By : Vincent Lin
 (Deputy Manager / Vincent Lin)