

規格承認書

SPECIFICATION FOR APPROVAL

客戶名稱：
(CUSTOMER)

TM&F

客戶料號：
(PART NO)

品名規格：
(DESCRIPTION)

DFB401012L

送樣日期：
(SENDING DATE)

2010-4-27

客戶簽章：
SIGNATURE

永林興電子(深圳)有限公司制作

審核：
REPORTED BY

確認：
CHECK BY

作成：
APPROVED BY

周向阳

吴明峰

李燕红

敬請“客戶簽章”欄簽核後將零件承認書回傳永林興公司，以便後續作業，謝謝！



Y L TECH(HK)CO.

永林興科技有限公司
YOUNG LIN TECH CO.,LTD.

致宣電子深圳有限公司
ZHI XUAN ELECTRONICS(SHENZHEN)CO.,LTD.

永林興電子(深圳)有限公司
YONG LIN XING ELECTRONICS(SHENZHEN)CO.,LTD.

ISO9001 (2000)

ISO14001

CERTIFIED SUPPLIER

 <https://www.ylfc.cn>

SPECIFICATION FOR APPROVAL

.

TO: TM&F

SAMPLE ISSUE NO.: YLM0100427

MODEL: DFB401012L

SAMPLE ISSUE DATE: 2010-4-27

PART NAME: DC FAN(RoHS)

SAMPLE QTY: 8PCS

REV: 0

1. SCOPE:

THIS SPECIFICATION DEFINES THE ELECTRICAL AND MECHANICAL CHARACTERISTICS OF THE DC BRUSHLESS FAN.THE FAN MOTOR IS WITH TWO PHASES AND FOUR POLES.

2. CHARACTERS:

ITEM	DESCRIPTION
RATED VOLTAGE	12 VDC
OPERATION VOLTAGE	10.8~13.2VDC
STARTING VOLTAGE	10VDC(ON/OFF)
INPUT CURRENT	0.05±0.02A
SPEED (10 MINUTE/ ROOM TEMPERATURE 25°C)	4200 RPM±15%
AIR FLOW (AT ZERO STATIC PRESSURE)	4.48CFM
AIR PRESSURE (AT ZERO AIRFLOW)	2.32mmH ₂ O
ACOUSTICAL NOISE (AVG.)	21.13dB-A
SAFETY TYPE	UL TUV CE

客户签章: SIGNATURE	YONG LIN XING ELECTRONICS(SHENZHEN)CO.,LTD		
	APPROVED BY:	CHECKED BY:	PREPARED BY:
	周向阳	吴明峰	李燕红

(Continued)

Page: 1

YOUNG LIN TECH CO., LTD,

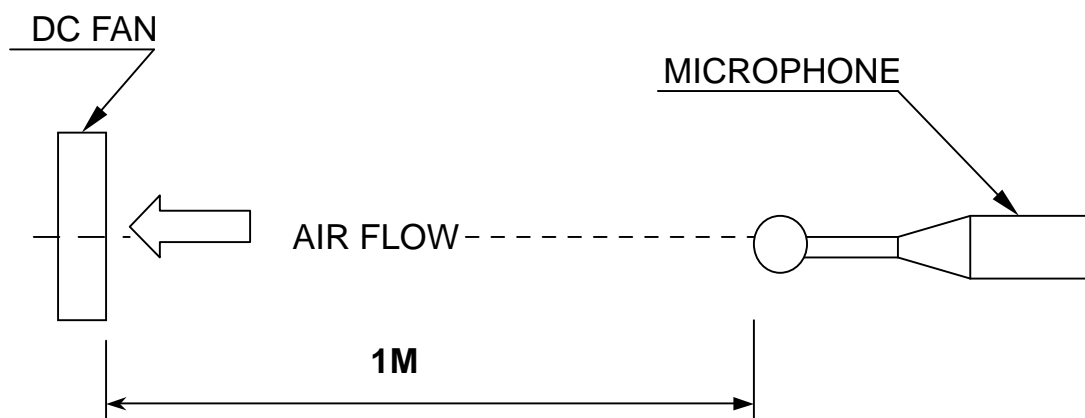
MODEL: DFB401012L

INSULATION STRENGTH	10 MEG OHM MIN. AT 500 VDC (BETWEEN FRAME AND (+) TERMINAL)
DIELECTRIC STRENGTH	5 mA MAX. AT 500 VAC 60 Hz ONE MINUTE, (BETWEEN FRAME AND (+) TERMINAL)
LIFE EXPECTANCE	50,000 HOURS CONTINUOUS OPERATION
ROTATION	AT 25°C WITH 15~65 %RH. WIDDERSHINS VIEW FROM FRAME PLATE SIDE
OVER CURRENT SHUT DOWN	INAPPLICABILITY
LEAD WIRE	UL 1007 -AWG #26 BLACK BLACK : (-) RED RED : (+)

NOTES: 1. ALL READINGS ARE MEASURED AFTER STABLY WARMING UP THROUGH 10 MINUTES.

2. THE VALUES WRITTEN IN PARENS, ARE LIMITED SPEC.

3. ACOUSTICAL NOISE MEASURING CONDITION:



NOISE IS MEASURED AT RATED VOLTAGE IN FREE AIR IN ANECHOIC CHAMBER WITH B & K SOUND LEVEL METER WITH MICROPHONE AT A DISTANCE OF ONE METER FROM THE FAN INTAKE

YOUNG LIN TECH CO., LTD,

MODEL: DFB401012L

3. MECHANICAL:

- 3-1. DIMENSIONS— — — — — -SEE DIMENSIONS DRAWING
- 3-2. FRAME— — — — — PLASTIC UL: 94V-0
- 3-3. IMPELLER — — — — — PLASTIC UL: 94V-0
- 3-4. BEARING SYSTEM — — — — — TWO BALL BEARING
- 3-5. WEIGHT — — — — — 14GRAMS

4. ENVIRONMENTAL:

- 4-1. OPERATING TEMPERATURE— — — — — -10 TO + 70 DEGREE C
- 4.2. STORAGE TEMPERATURE— — — — — -40 TO + 75 DEGREE C
- 4-3. OPERATING HUMIDITY — — — — — 5 TO 90 % RH
- 4-4. STORAGE HUMIDITY — — — — — 5 TO 95% RH

5. PROTECTION:

5-1. DROP TEST

IN MINIMUM PACKAGING CONDITION FAN WITHSTANDS EACH ONE DROP OF THREE FACES FROM 30 CM DISTANCE HEIGHT ONTO 10 MM THICKNESS OF WOODEN BOARD.

5-2. LOCKED ROTOR PROTECTION

IMPEDANCE OF MOTOR WINDING PROTECTS MOTOR FROM FIRE IN 15 MINUTE OF LOCKED ROTOR CONDITION AT THE RATED VOLTAGE.

6. RE OZONE DEPLETING SUBSTANCES;

6-1.RESTRICTION SUBSTANCES OF SAMPLE ARE AS FOLLOWS:

- Pb(PPM)<1000 Cd(PPM)<100 Hg(PPM)<1000
- Cr6+ (PPM)<1000 PBBs (PPM)<1000 PBDEs (PPM)<1000

YLTC	Research & Development Department		
	Approved BY: 周向阳	Checked BY: 吴明峰	Prepared BY: 李燕红

IMPORTANT NOTES & GENERAL INSTRUCTIONS

1. Any item which is needed to add into specification shall be determined on customer's prior written request. If no information given , fan will be delivered based on our standard judgment.

2. Customer shall confirm the matching and reliability of fan on actual set or unit application.

This include confirmation on set or unit life, electrical noise, mechanical noise, Vibration static electricity ,electric power noise ,drift ,electric resonance between motor and control circuit ,mechanical resonance between motor and chassis, irregular movement of set due to motor noise ,irregular movement of set in strong electromagnetic field ,damaged by lightning surge earthing method etc

3. In order to improve the performance within the scope of specification, parts or material changes are subject to prior notice to customer.

4. Any revisions on the specification shall be done based on mutual discussion and agreement.

5. When any trouble occurs, both parties shall discuss on this specification to solve the matters. In this case, our guarantee is only limited to fans

風扇使用注意事項



HOW TO HANDLE FAN PROPERLY?



1. 取用風扇, 輕取外框兩側, 不可拉扯導線.
1. Hold the fan by frame side. Do not hold lead wires to support the fan.



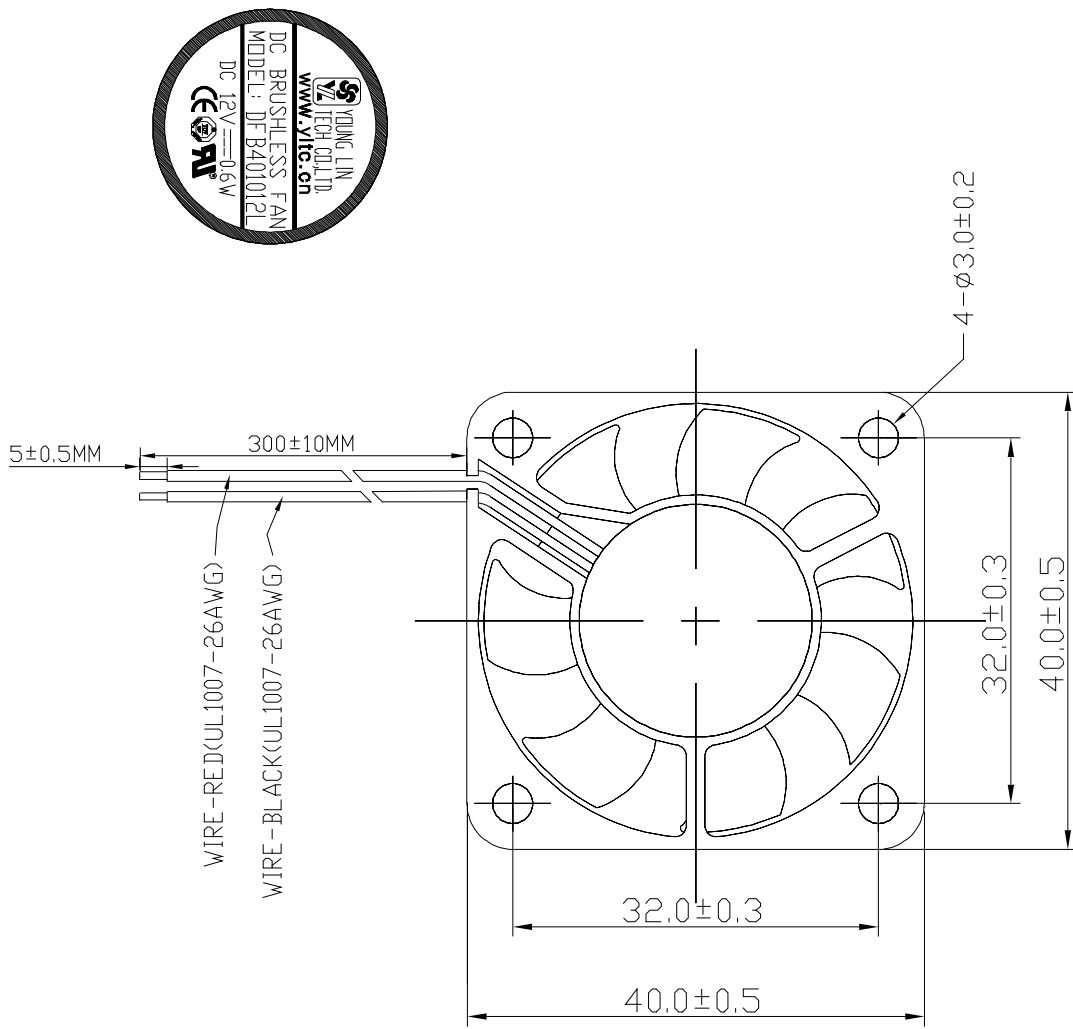
2. 取用風扇, 不可碰觸或擠壓扇葉與外框.
2. No touching or pressing on the impeller hub. Avoid crushing the frame side.



3. 風扇嚴禁掉落地面, 或敲擊外框任何面.
3. Do not drop on the ground. Do not pound on the frame side.



4. 風扇電源需依照規格電壓安裝使用.
4. Connect leads properly and apply voltage according to specification.



NO.	DESCRIPTION	SPECIFICATION	Q'TY	VENDOR	PART NO.	REMARKS	客户签章: SIGNATURE	DESCRIPTION	DC FAN	SCALE	N.T.S
							李燕红	MODEL NO.:	DFB401012L	SCALE	N.T.S
								DRAW:	吴明峰	CHKD:	周向阳
							YONG LIN XING ELECTRONICS(SHENZHEN) CO., LTD				

DESCRIPTIONPRODUCT COVERED:

USR/CNR, component - Electric fans, Models:

DFS251005L	DFS251012L	DFS401012L
DFS251005M	DFS251012M	DFS401012M
DFS251005H	DFS251012H	DFS401012H
DFB251005L	DFB251012L	DFB401012L
DFB251005M	DFB251012M	DFB401012M
DFB251005H	DFB251012H	DFB401012H
DFC251005L	DFC251012L	DFC401012L
DFC251005M	DFC251012M	DFC401012M
DFC251005H	DFC251012H	DFC401012H
DFS301005L	DFS301012L	DFS501012L
DFS301005M	DFS301012M	DFS501012M
DFS301005H	DFS301012H	DFS501012H
DFB301005L	DFB301012L	DFB501012L
DFB301005M	DFB301012M	DFB501012M
DFB301005H	DFB301012H	DFB501012H
DFC301005L	DFC301012L	DFC501012L
DFC301005M	DFC301012M	DFC501012M
DFC301005H	DFC301012H	DFC501012H
DFS401005L		
DFS401005M		
DFS401005H		
DFB401005L		
DFB401005M		
DFB401005H		
DFC401005L		
DFC401005M		
DFC401005H		



CERTIFICATE

No. B 04 12 34564 008

Model(s):

DFX2510 Series, DFX3010 Series,
 DFX4010 Series, DFX5010 Series
 DF X 25 10 y z
 A B C D E F
 A - Commercial Code
 B - Bearing Type
 X can be S, B or C
 S - Sleeve Bearing
 B - Ball Bearing
 C - Complex with Sleeve & Ball Bearing
 C - Frame Size
 25 - 25 mm by 25 mm
 30 - 30 mm by 30 mm
 40 - 40 mm by 40 mm
 50 - 50 mm by 50 mm
 D - Frame Thickness
 10 - 10 mm
 E - Input Voltage
 y can be 05 or 12
 05 - 5 Vdc
 12 - 12 Vdc
 F - Fan Speed
 z can be H, M or L
 H - High Speed
 M - Medium Speed
 L - Low Speed

Parameters:

Rated input voltage: 5 or 12 Vdc
 Protection class: III
 Max. ambient temperature: 25°C
 Degree of protection against ingress of liquids: Ordinary

Remark: When installing, all requirements of below mentioned test standards must be fulfilled.
 See attachment for model designation and ratings.

Tested according to:

EN 60950-1:2001

Production Facility(ies):

52640

Bill [Signature]

CERTIFICATE OF COMPLIANCE

Manufacturer	Young Lin Tech Co., Ltd.
Address	No. 175, Hsin I Road Ta Pi Hsiang, Yun Lin Taiwan, R. O. C.
Description of EUT	DC Fan
Model Designation	DFX251012Y, DFX301012Y DFX401012Y, DFX501012Y (X = S, B or C; Y = H, M or L)
Tested According to	EN 50 082-1:1992, EN 50 081-1:1992 IEC 801-2:1984, EN 55 014:1993 IEC 801-3:1984, EN 55 022:1994 IEC 801-4:1988 EN 60 555-2:1987

This evaluation was carried out to the best of our knowledge and ability, and our responsibility is limited to the exercise of reasonable care. This certification is not intended to relieve the sellers from their contractual obligations.

Issued Date

November 5, 1998

Issued Agency ...: **Safety Services International Inc.**
7F, No. 758, Chung-Cheng Road
Chungho City, Taipei Hsien
Taiwan, R. O. C.

Tested by

Grace Shieh
Project Engineer

Checked by

Wilson Wang
Wilson Wang / Engineering Manager

Approved by

Peter Wang
Peter Wang / Director

