

規格承認書

SPECIFICATION FOR APPROVAL

客戶名稱：
(CUSTOMER) TM&F

客戶料號：
(PART NO) _____

品名規格：
(DESCRIPTION) DFB402012L

送樣日期：
(SENDING DATE) 2010-4-23

客戶簽章： SIGNATURE	永林興電子(深圳)有限公司制作		
	審核： REPORTED BY	確認： CHECK BY	作成： APPROVED BY
	周向阳	吴明峰	李燕红

敬請“客戶簽章”欄簽核後將零件承認書回傳永林興公司，以便後續作業，謝謝！



Y L TECH(HK)CO.

永林興科技有限公司
YOUNG LIN TECH CO.,LTD.

致宣電子深圳有限公司
ZHI XUAN ELECTRONICS(SHENZHEN)CO.,LTD.

永林興電子(深圳)有限公司
YONG LIN XING ELECTRONICS(SHENZHEN)CO.,LTD.

ISO9001 (2000)

ISO14001

CERTIFIED SUPPLIER

 <http://www.yltc.cn>

SPECIFICATION FOR APPROVAL

TO: TM&F	SAMPLE ISSUE NO.:YLM0100424
MODEL: DFB402012L	SAMPLE ISSUE DATE: 2010-4-23
PART NAME: DC FAN(RoHS)	SAMPLE QTY: 4PCS

REV: 0

1. SCOPE:

THIS SPECIFICATION DEFINES THE ELECTRICAL AND MECHANICAL CHARACTERISTICS OF THE DC BRUSHLESS FAN.THE FAN MOTOR IS WITH TWO PHASES AND FOUR POLES.

2. CHARACTERS:

ITEM	DESCRIPTION
RATED VOLTAGE	12 VDC
OPERATION VOLTAGE	10.8~13.2VDC
STARTING VOLTAGE	9VDC(ON/OFF)
INPUT CURRENT	0.04±0.02A
SPEED (10 MINUTE/ ROOM TEMPERATURE 25°C)	4200 RPM± 15%
AIR FLOW (AT ZERO STATIC PRESSURE)	4.79CFM
AIR PRESSURE (AT ZERO AIRFLOW)	213mmH2O
ACOUSTICAL NOISE (AVG.)	19.71dB-A
SAFETY TYPE	UL,TUV,CE

客户签章: SIGNATURE	YONG LIN XING ELECTRONICS(SHENZHEN)CO.,LTD		
	APPROVED BY:	CHECKED BY:	PREPARED BY:
	周向阳	吴明峰	李燕红

(Continued)

Page: 1

YOUNG LIN TECH CO., LTD,

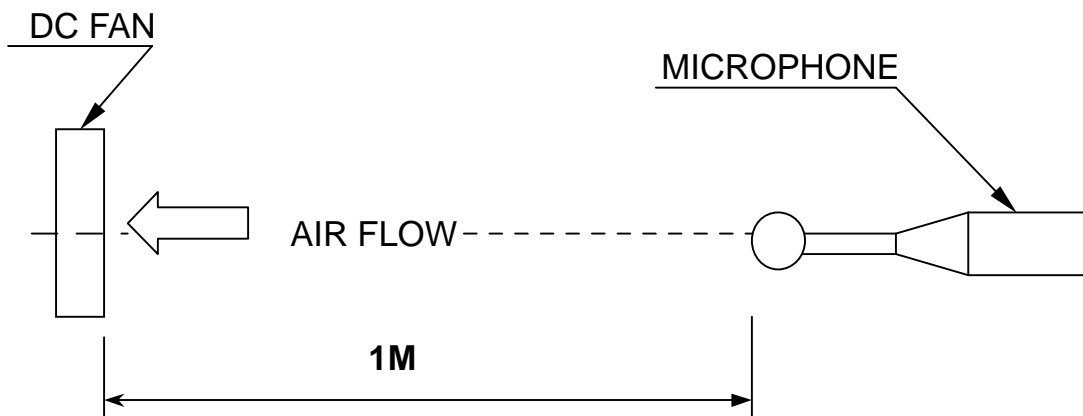
MODEL: DFB402012L

INSULATION STRENGTH	10 MEG OHM MIN. AT 500 VDC (BETWEEN FRAME AND (+) TERMINAL)
DIELECTRIC STRENGTH	5 mA MAX. AT 500 VAC 60 Hz ONE MINUTE, (BETWEEN FRAME AND (+) TERMINAL)
LIFE EXPECTANCE	50,000 HOURS CONTINUOUS OPERATION AT 25°C WITH 15~65 %RH.
ROTATION	WIDDERSHINS VIEW FROM FRAME PLATE SIDE
OVER CURRENT SHUT DOWN	INAPPLICABILITY
LEAD WIRE	UL1007-AWG #26 BLACK BLACK : (-) RED RED : (+)

NOTES: 1. ALL READINGS ARE MEASURED AFTER STABLY WARMING UP THROUGH 10 MINUTES.

2. THE VALUES WRITTEN IN PARENS, ARE LIMITED SPEC.

3. ACOUSTICAL NOISE MEASURING CONDITION:



NOISE IS MEASURED AT RATED VOLTAGE IN FREE AIR IN ANECHOIC CHAMBER WITH B & K SOUND LEVEL METER WITH MICROPHONE AT A DISTANCE OF ONE METER FROM THE FAN INTAKE

YOUNG LIN TECH CO., LTD,

MODEL: DFB402012L

3. MECHANICAL:

- 3-1. DIMENSIONS— — — — — -SEE DIMENSIONS DRAWING
- 3-2. FRAME— — — — — PLASTIC UL: 94V-0
- 3-3. IMPELLER— — — — — PLASTIC UL: 94V-0
- 3-4. BEARING SYSTEM— — — — — TWO BALL BEARING
- 3-5. WEIGHT — — — — — 24.8GRAMS

4. ENVIRONMENTAL:

- 4-1. OPERATING TEMPERATURE— — — — — -10 TO + 70 DEGREE C
- 4-2. STORAGE TEMPERATURE— — — — — -40 TO + 75 DEGREE C
- 4-3. OPERATING HUMIDITY — — — — — 5 TO 90 % RH
- 4-4. STORAGE HUMIDITY — — — — — 5 TO 95% RH

5. PROTECTION:

- 5-1. DROP TEST
IN MINIMUM PACKAGING CONDITION FAN WITHSTANDS EACH ONE DROP OF THREE FACES FROM 30 CM DISTANCE HEIGHT ONTO 10 MM THICKNESS OF WOODEN BOARD.
- 5-2. LOCKED ROTOR PROTECTION
IMPEDANCE OF MOTOR WINDING PROTECTS MOTOR FROM FIRE IN 15 MINUTE OF LOCKED ROTOR CONDITION AT THE RATED VOLTAGE.

6. RE OZONE DEPLETING SUBSTANCES;

- 6-1.RESTRICTION SUBSTANCES OF SAMPLE ARE AS FOLLOWS:
Pb(PPM)<1000 Cd(PPM)<100 Hg(PPM)<1000
Cr6+ (PPM)<1000 PBBs (PPM)<1000 PBDEs (PPM)<1000

YLTC	Research & Development Department		
	Approved BY: 周向阳	Checked BY: 吴明峰	Prepared BY: 李燕红

IMPORTANT NOTES & GENERAL INSTRUCTIONS

1. Any item which is needed to add into specification shall be determined on customer's prior written request. If no information given , fan will be delivered based on our standard judgment.
2. Customer shall confirm the matching and reliability of fan on actual set or unit application.

This include confirmation on set or unit life, electrical noise, mechanical noise, Vibration static electricity ,electric power noise ,drift ,electric resonance between motor and control circuit ,mechanical resonance between motor and chassis, irregular movement of set due to motor noise ,irregular movement of set in strong electromagnetic field ,damaged by lightning surge earthing method etc
3. In order to improve the performance within the scope of specification, parts or material changes are subject to prior notice to customer.
4. Any revisions on the specification shall be done based on mutual discussion and agreement.
5. When any trouble occurs, both parties shall discuss on this specification to solve the matters. In this case, our guarantee is only limited to fans

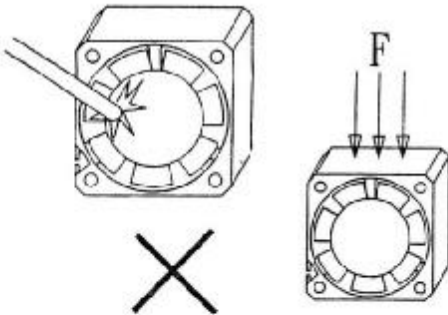
風扇使用注意事項



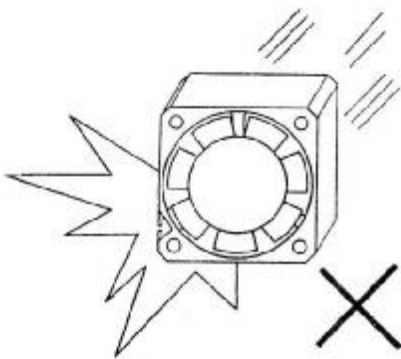
HOW TO HANDLE FAN PROPERLY?



1. 取用風扇, 輕取外框兩側, 不可拉扯導線.
1. Hold the fan by frame side. Do not hold lead wires to support the fan.



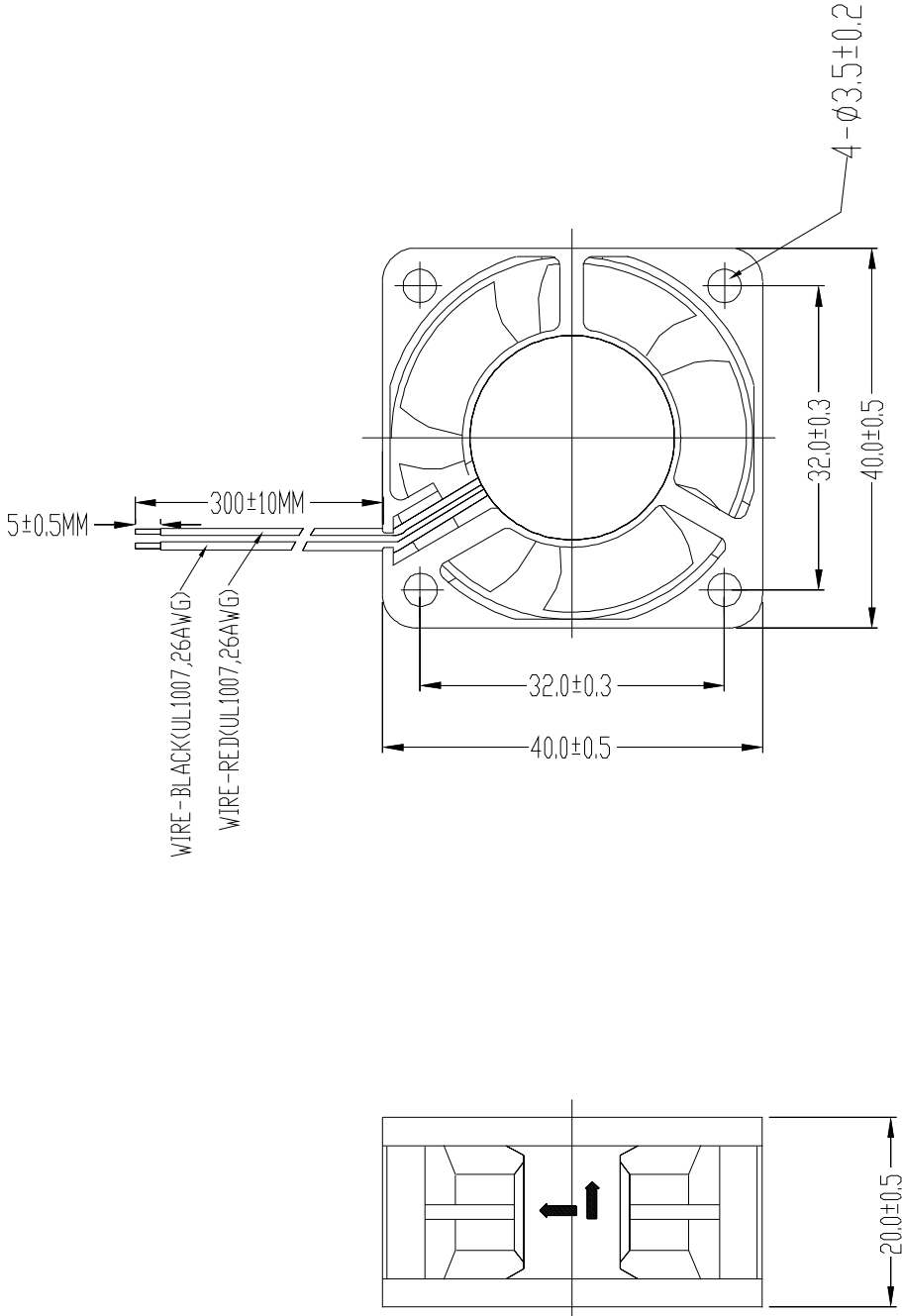
2. 取用風扇, 不可碰觸或擠壓扇葉與外框.
2. No touching or pressing on the impeller hub. Avoid crushing the frame side.



3. 風扇嚴禁掉落地面, 或敲擊外框任何面.
3. Do not drop on the ground. Do not pound on the frame side.



4. 風扇電源需依照規格電壓安裝使用.
4. Connect leads properly and apply voltage according to specification.



NO.	DESCRIPTION	SPECIFICATION	Q'TY	VENDOR	PART NO.	REMARKS	客户签章: SIGNATURE	DESCRIPTION	DC FAN	Symbol	
								MODEL NO.	DFB402012L	SCALE	N.T.S
								DRAW:	李燕红	CHKD:	吴明峰
								APPD:	周向阳		
								YONG LIN XING ELECTRONICS(SHENZHEN) CO., LTD			

Model DF(A)4020 Series

1. Rotor - Same as DF(A)4007 series, FIG. 2, Item 1, except measures 12.7 mm high.
2. Rubber Ferrite Magnet - Same as DF(A)4007 series, FIG. 2, Item 2, except measures 20.1 mm OD, 12.8 mm high, 1.5 mm thick.
3. Shaft - Same as DF(A)4007 series, FIG. 2, Item 3, except measures 1.9 mm OD, 16.8 mm high.
4. Stator (Core) - Same as DF(A)4007 series, FIG. 2, Item 4, except 16.8 mm OD, 7.4 mm ID, 8.2 mm high.
5. Bobbin - Consists of two parts. Material same as Impeller, Fig. 1 Item 1, made of minimum 0.1 mm thick. Both parts secured by press-fit to Stator, Item 4 above.
6. Coils - Enameled copper wire wound over Bobbin, Item 5. Coil ends mechanically secured and soldered to Printed Wiring Board, Item 7.
7. Printed Wiring Board - R/C (ZPMV2); see Construction Details, Printed Wiring Boards. Secured to center hub of Fan Frame, Item 2 by physical fit. Secured to posts integral to Bobbin, Item 5, by snap-fit.

Aufbauübersicht für Elektro-und Medizingeräte

Data form for electrical and medical equipment



Taiwan

Zertifikat Nr./ Certificate No. B 04 12 34564 010 Seite Page 4 von of 4

Prüfbericht Nr./ Test Report No. 612104130501

Im Gerät eingebaute Einzelteile: (Schalter, Temperaturregler, Heizkörper, Stecker, Fassungen, Leitungen, kondensatoren, Motoren und sonstige Wicklungen z. B. Transformatoren, Magnetspulen)

Built-in component: (switch, temperature regulator, heating element, plug, socket, wiring, capacitor, motors and other components with windings e. g. transformers, coils)

Bauteil/ Kind of Component	Hersteller/ Manufacturer	Angaben über Typ, Stromstärke, Leistung, Transformatorspezifikationsnummer, Isolationsklasse/Information about type, current, power, transformer specification number, insulating class	Pfzzeichen von Test mark from (VDE, BSI, UL etc.)		
object/part No	manufacturer/ trademark	type/model	technical data	Standard	mark(s) of conformity)
Models	Rating	Models	Rating	Difference	
DFx4007yz		DFx6010yz		Model Example:	
DFB400712H	12Vdc, 1.6W	DFC601012H	12Vdc, 2.8W	DF	S
DFS400712H	12Vdc, 1.6W	DFB601012H	12Vdc, 2.8W	A	B
DFB400712M	12Vdc, 1.3W	DFS601012H	12Vdc, 2.8W	40	07
DFS400712M	12Vdc, 1.3W	DFC601012M	12Vdc, 2.0W	12	H
DFB400705H	5Vdc, 1.3W	DFB601012M	12Vdc, 2.0W	D	E
DFS400705H	5Vdc, 1.3W	DFS601012M	12Vdc, 2.0W	F	
DFB400705M	5Vdc, 1.2W	DFC601012L	12Vdc, 1.6W	A – DC Fan	
DFS400705M	5Vdc, 1.2W	DFB601012L	12Vdc, 1.6W	B – Bearing Type	
		DFS601012L	12Vdc, 1.6W	S – Sleeve Bearing	
		DFC601012D	12Vdc, 4.5W	B – Ball Bearing	
		DFB601012D	12Vdc, 4.5W	C – One Ball One Sleeve	
		DFS601012D	12Vdc, 4.5W	C – Frame Size	
				40 – 40 mm by 40 mm	
				45 – 45 mm by 45 mm	
				60 – 60 mm by 60 mm	
DFx4020 yz				D – Frame Thickness	
DFB402012L	12Vdc, 0.8W			07 – 7mm	
DFS402012L	12Vdc, 0.8W			10 – 10 mm	
DFB402012M	12Vdc, 1.3W			20 – 20 mm	
DFS402012M	12Vdc, 1.3W			E – Input voltage	
DFB402012H	12Vdc, 1.6W			12 – 12 Vdc	
DFS402012H	12Vdc, 1.6W			5 – 5 Vdc	
DFB402005L	5Vdc, 0.6W			F – Speed	
DFS402005L	5Vdc, 0.6W			L – Low speed	
DFB402005M	5Vdc, 0.8W			M – Medium speed	
DFS402005M	5Vdc, 0.8W			H – High speed	
DFB402005H	5Vdc, 1.3W			D – Ultra high speed	
DFS402005H	5Vdc, 1.3W				
DFx4507yz		DFx6020yz			
DFB450712H	12Vdc, 1.6W	DFC602012H	12Vdc, 2.0W		
DFS450712H	12Vdc, 1.6W	DFB602012H	12Vdc, 2.0W		
DFB450712M	12Vdc, 1.3W	DFS602012H	12Vdc, 2.0W		
DFS450712M	12Vdc, 1.3W	DFC602012M	12Vdc, 1.4W		
DFB450705H	5Vdc, 1.2W	DFB602012M	12Vdc, 1.4W		
DFS450705H	5Vdc, 1.2W	DFS602012M	12Vdc, 1.4W		
DFB450705M	5Vdc, 1.1W	DFC602012L	12Vdc, 1.0W		
DFS450705M	5Vdc, 1.1W	DFB602012L	12Vdc, 1.0W		
		DFS602012L	12Vdc, 1.0W		



Ort / place Taipei, Taiwan

Datum / date June 04, 2008

Stempel und Unterschrift des Auftraggebers / Seal and signature of applicant

Wenmin Liu



JUN 06 2008

DEUTSCHLAND

Zertifizierstelle
Frankfurt
Hannover
München
Strasskirchen, MIKES

Ridlerstraße 31, D-80339 München
Mergenthalerallee 27, D-65760 Eschborn
Masurenweg 1 -3, D-30163 Hannover
Ridlerstraße 31, D-80339 München
Ohmstraße 2-4, D-94342 Strasskirchen

Tel:
0049/89/50084-180
0049/6196/9601-0
0049/511/96359-0
0049/89/50084-0
0049/9424/1031

Fax:
0049/89/50084-230
0049/6196/9601-99
0049/511/96359-39
0049/89/50084-222
0049/9424/8533



2 EUT DESCRIPTION

Product	DC Fans
Trade Name	YLTC
Model	DFS4010; DFB4010; DFC4010; DFS4020; DFB4020; DFS4510; DFB4510; DFS5010; DFB5010; DFC5010; DFS6010; DFB6010; DFC6010; DFS6015; DFB6015; DFC6015; DFS6025; DFB6025; DFC6025; DFS7010; DFC7010; DFS7015; DFB7015; DFC7015; DFS8010; DFC8010; DFS8015; DFB8015; DFC8015; DFS8020; DFB8020; DFC8020; DFS8025; DFB8025; DFC8025; DFS9225; DFB9225; DFC9225; DFS1225; DFB1225; DFS13525
Housing Type	Plastic
EUT Power Rating	DC 12V
DC Power Cable Type	Unshielded, 0.2m

Note:

1. Difference between of forty-one model numbers (list on this report) are list as below:

Model	Speed	Model	Speed
DFS4010;	H (6000RPM)	DFS7015;	H (5000RPM)
DFB4010;	M (5400RPM)	DFB7015;	M (4200RPM)
DFC4010	L (4200RPM)	DFC7015	L (3600RPM)
DFS4020;	H (7500RPM)	DFS8010;	H (3500RPM)
DFB4020	M (6200RPM)	DFC8010	M (3000RPM)
	L (5000RPM)		L (2500RPM)
DFS4510;	H (6000RPM)	DFS8015;	H (3500RPM)
DFB4510	M (5000RPM)	DFB8015;	M (2500RPM)
	L (4000RPM)	DFC8015	L (2000RPM)
DFS5010;	H (5300RPM)	DFS8020;	H (3500RPM)
DFB5010;	M (4500RPM)	DFB8020;	M (3000RPM)
DFC5010	L (3500RPM)	DFC8020	L (2500RPM)
DFS6010;	H (5000RPM)	DFS8025;	H (3500RPM)
DFB6010;	M (4200RPM)	DFB8025;	M (3000RPM)
DFC6010	L (3500RPM)	DFC8025	L (2500RPM)
DFS6015;	H (5000RPM)	DFS9225;	H (2800RPM)
DFB6015;	M (4300RPM)	DFB9225;	M (2500RPM)
DFC6015	L (3600RPM)	DFC9225	L (2000RPM)
DFS6025;	H (4000RPM)	DFS1225;	H (2200RPM)
DFB6025;	M (3000RPM)	DFB1225	M (2000RPM)
DFC6025	L (2500RPM)		L (1700RPM)
DFS7010;	H (3500RPM)	DFS13525	H (1800RPM)
DFC7010	M (3000RPM)		M (1500RPM)
	L (2500RPM)		L (1200RPM)

2. Client consigns only one sample (model number is DFS1225) to test. Therefore, testing Lab. just guarantees the units, which have been tested