

規格承認書

SPECIFICATION FOR APPROVAL

客戶名稱：
(CUSTOMER) TM&F

客戶料號：
(PART NO) _____

品名規格：
(DESCRIPTION) DFB402824H

送樣日期：
(SENDING DATE) 2010-5-7

客戶簽章： SIGNATURE	永林興電子(深圳)有限公司制作		
	審核： REPORTED BY	確認： CHECK BY	作成： APPROVED BY
	周向阳	吴明峰	李燕红

敬請“客戶簽章”欄簽核後將零件承認書回傳永林興公司，以便後續作業，謝謝！



Y L TECH(HK)CO.

永林興 科技有限公司
YOUNG LIN TECH CO.,LTD.

致宣電子深圳有限公司
ZHI XUAN ELECTRONICS(SHENZHEN)CO.,LTD.

永林興電子(深圳)有限公司
YONG LIN XING ELECTRONICS(SHENZHEN)CO.,LTD.

ISO9001 (2000)

ISO14001

CERTIFIED SUPPLIER

 <http://www.yltc.cn>

SPECIFICATION FOR APPROVAL

TO: TM&F

SAMPLE ISSUE NO.: YLM0100502-2

MODEL: DFB402824H

SAMPLE ISSUE DATE: 2010-5-7

PART NAME: DC FAN(RoHS)

SAMPLE QTY: 6PCS

REV: 0

1. SCOPE:

THIS SPECIFICATION DEFINES THE ELECTRICAL AND MECHANICAL CHARACTERISTICS OF THE DC BRUSHLESS FAN. THE FAN MOTOR IS WITH TWO PHASES AND FOUR POLES.

2. CHARACTERS:

ITEM	DESCRIPTION
RATED VOLTAGE	24 VDC
OPERATION VOLTAGE	17-28VDC
STARTING VOLTAGE	17VDC(ON/OFF)
INPUT CURRENT	0.11 ± 0.02A
SPEED (10 MINUTE/ ROOM TEMPERATURE 25°C)	8000 RPM ± 15%
AIR FLOW (AT ZERO STATIC PRESSURE)	10.27CFM
AIR PRESSURE (AT ZERO AIRFLOW)	8.37mmH ₂ O
ACOUSTICAL NOISE (AVG.)	38.76dB-A
SAFETY TYPE	UL TUV CE

客户签章: SIGNATURE	YONG LIN XING ELECTRONICS(SHENZHEN)CO.,LTD		
	APPROVED BY:	CHECKED BY:	PREPARED BY:
	周向阳	吴明峰	李燕红

(Continued)

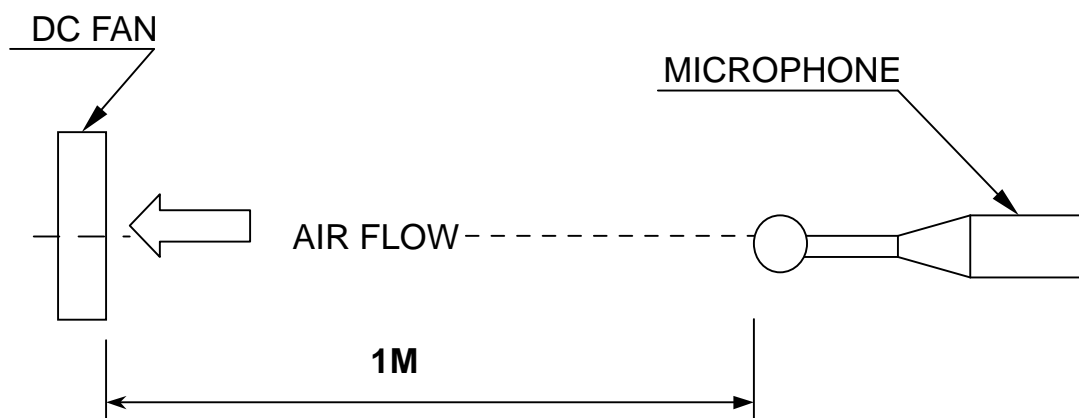
Page: 1

YOUNG LIN TECH CO., LTD,

MODEL: DFB402824H

INSULATION STRENGTH	10 MEG OHM MIN. AT 500 VDC (BETWEEN FRAME AND (+) TERMINAL)
DIELECTRIC STRENGTH	5 mA MAX. AT 500 VAC 60 Hz ONE MINUTE, (BETWEEN FRAME AND (+) TERMINAL)
LIFE EXPECTANCE	50,000 HOURS CONTINUOUS OPERATION
ROTATION	AT 25°C WITH 15~65 %RH. WIDDERSHINS VIEW FROM FRAME PLATE SIDE
OVER CURRENT SHUT DOWN	INAPPLICABILITY
LEAD WIRE	UL 1007 – AWG #26 BLACK BLACK : (-) RED RED : (+) YELLOW(SPEED SENSOR)

- NOTES: 1. ALL READINGS ARE MEASURED AFTER STABLY WARMING UP THROUGH 10 MINUTES.
2. THE VALUES WRITTEN IN PARENS, ARE LIMITED SPEC.
3. ACOUSTICAL NOISE MEASURING CONDITION:



NOISE IS MEASURED AT RATED VOLTAGE IN FREE AIR IN ANECHOIC CHAMBER WITH B & K SOUND LEVEL METER WITH MICROPHONE AT A DISTANCE OF ONE METER FROM THE FAN INTAKE

IMPORTANT NOTES & GENERAL INSTRUCTIONS

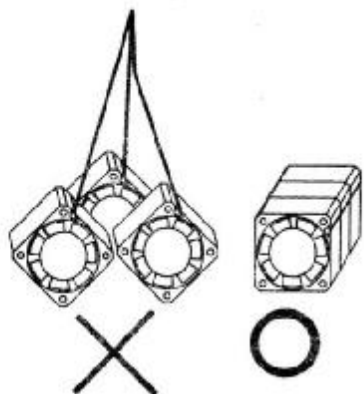
1. Any item which is needed to add into specification shall be determined on customer's prior written request. If no information given , fan will be delivered based on our standard judgment.
2. Customer shall confirm the matching and reliability of fan on actual set or unit application.

This include confirmation on set or unit life, electrical noise, mechanical noise, Vibration static electricity ,electric power noise ,drift ,electric resonance between motor and control circuit ,mechanical resonance between motor and chassis, irregular movement of set due to motor noise ,irregular movement of set in strong electromagnetic field ,damaged by lightning surge earthing method etc
3. In order to improve the performance within the scope of specification, parts or material changes are subject to prior notice to customer.
4. Any revisions on the specification shall be done based on mutual discussion and agreement.
5. When any trouble occurs, both parties shall discuss on this specification to solve the matters. In this case, our guarantee is only limited to fans

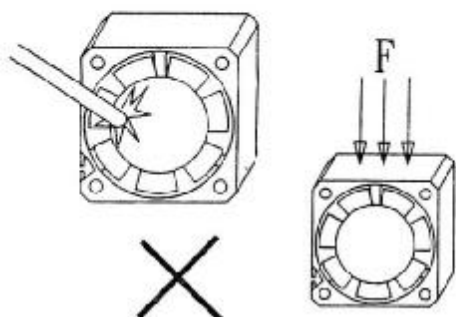
風扇使用注意事項



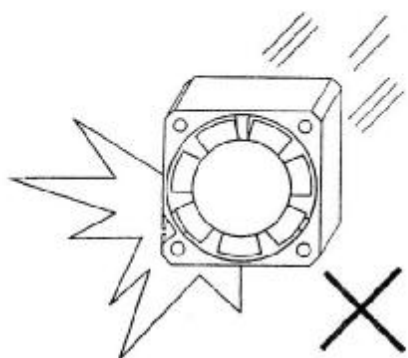
HOW TO HANDLE FAN PROPERLY?



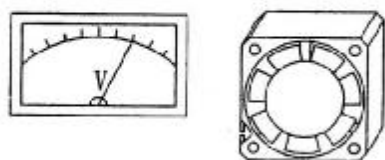
1. 取用風扇，輕取外框兩側，不可拉扯導線。
1. Hold the fan by frame side. Do not hold lead wires to support the fan.



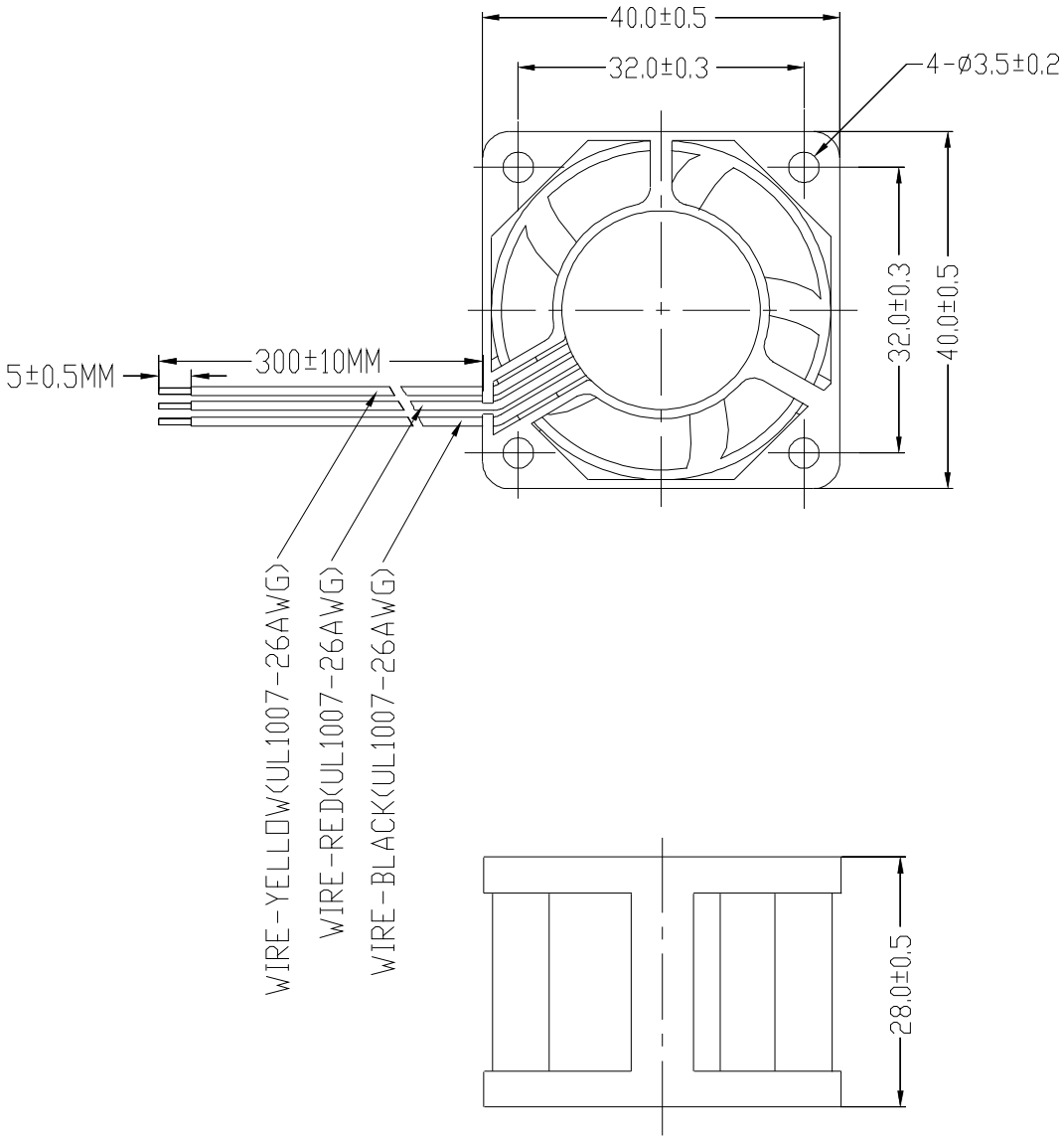
2. 取用風扇，不可碰觸或擠壓扇葉與外框。
2. No touching or pressing on the impeller hub. Avoid crushing the frame side.



3. 風扇嚴禁掉落地面，或敲擊外框任何面。
3. Do not drop on the ground. Do not pound on the frame side.



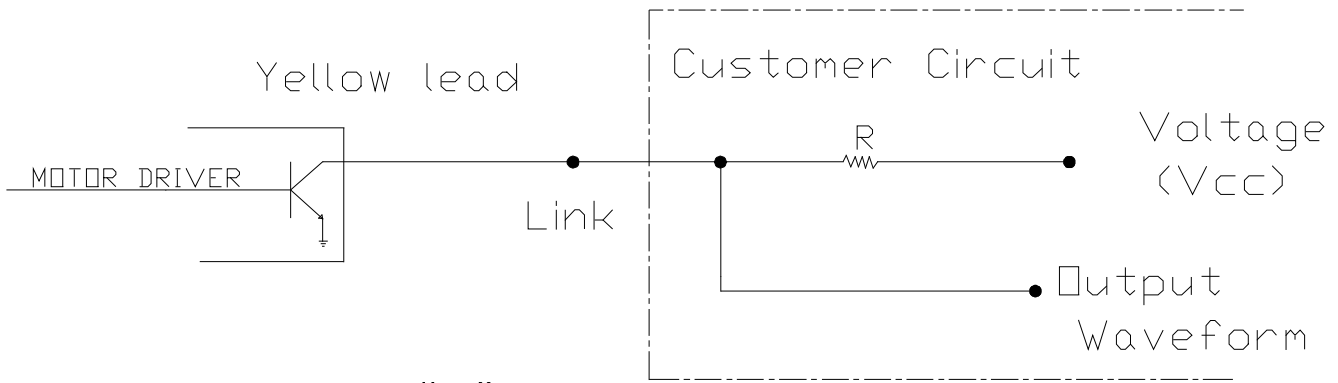
4. 風扇電源需依照規格電壓安裝使用。
4. Connect leads properly and apply voltage according to specification.



NO.	DESCRIPTION	SPECIFICATION	Q'TY	VENDOR	PART NO.	REMARKS	客户签章: SIGNATURE	DC FAN	DC FAN	SCALE	N.T.S
								DFB402824H	DFB402824H	N.T.S	N.T.S
								CHKD: 吴明峰	CHKD: 吴明峰	APPD: 周向阳	APPD: 周向阳
								YONG LIN XING ELECTRONICS(SHENZHEN) CO., LTD			

Signal Circuit System

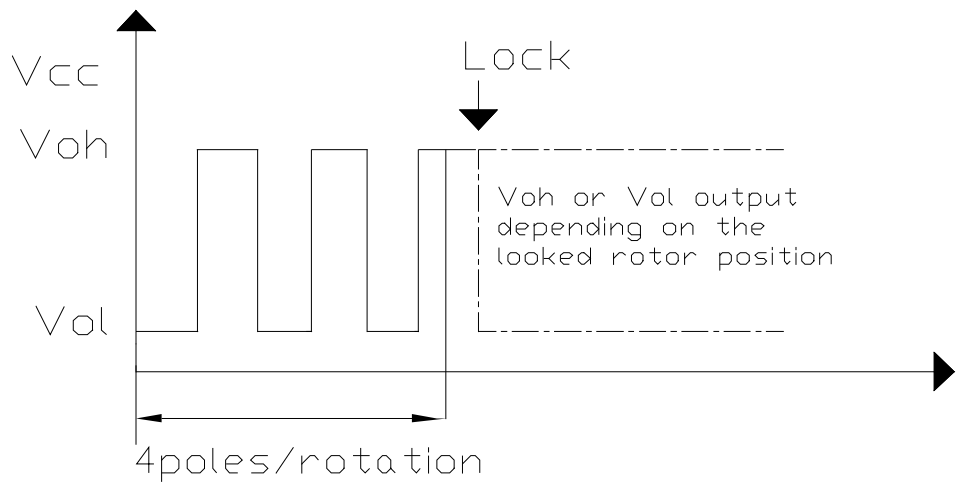
A: 3rd Pulse Wre



“please select “R”
to make “Link” Less than 10mA”

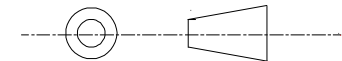
Vcc:30V Max
Link:10mA Max

Output Waveform



Saturation Voltage ----- Vol=1.0V Max
Release Voltage ----- Voh=30V Max

REVISIONS



DO NOT SCALE DRAWING

UNLESS OTHERWISE SPECIFIED
ALL DIMENSIONS ARE IN MM
TOLERANCES

LINEAR	ANGULAR
.x ±0.1	×. ±0.5
.xx ±0.05	×.x ±0.1

MODEL NO:	SEE SHART	PART NO:	SEE SHART
PART NAME:	Signal Circuit System	FINISH:	
MATERIAL:		DATE:	
SCALE:	1:1	QTY/U:	1
DRAW:	刘刚	CHKD:	吴明峰
		APPD:	周向阳
YONGLINXING ELECTRONICS CO.,LTD			DWG.NO:
			REV: 1

Issued: January 28, 2004
Revised:

M/L [600181-001] YOUNG LIN TECH CO LTD
AP [316266-001] XINRUILIAN ELECTRONICS (SHENZHEN) CO LTD (TPI)

Products Covered	Report Date	Basic Applicant's (Supplier's) Product Designation	Multiple Listee's Product Designations
		RD(X)4028(Y)2	DFX402824X1
		RDH4028B	DFB402812H
		RDH4028S	DFS402812H
		RDM4028B	DFB402812M
		RDM4028S	DFS402812M
		RDL4028B	DFB402812L
		RDL4028S	DFS402812L
		RDH4028S5	DFS402805H
		RDM4028S5	DFS402805M
		RDL4028S5	DFS402805L
		RDH4028B5	DFB402805H
		RDM4028B5	DFB402805M
		RDL4028B5	DFB402805L
		RDX4510Y	DFX4510X2X1
		RD(X)5010(Y)	DFX5010X2X1
		RD(X)4510(Y)5	DFX451005X1
		RD(X)5010(Y)5	DFX501005X1
		RDH5010B	DFB501012H
		RDH5010S	DFS501012H
		RDM5010B	DFB501012M
		RDM5010S	DFS501012M
		RDL5010B	DFB501012L
		RDL5010S	DFS501012L
		RD(X)5015(Y)5	DFX501505X1
		RDM5210B	DFB521012M
		RDM5210S	DFS521012M
		RDH5210B	DFB521012H
		RDH5210S	DFS521012H
		RDL5210B	DFB521012L
		RDL5210S	DFS521012L
		RD(X)6010B	DFB6010X2X1

MARKING: Same as that described in Follow-Up Service Procedure and/or Report except for Multiple Listee's name, ML Tradename, when applicable, and product designation.

UL INSPECTION CENTER SHENZHEN - 750

Zertifikat

Certificate



Zertifikat Nr. *Certificate No.*
R 50037859 Blatt *Page*
0001

Ihr Zeichen *Client Reference* Unser Zeichen *Our Reference* Ausstellungsdatum *Date of Issue*
R3D1210/Sporton ZTW1-HYL- 10005136 003 09.02.2004 (day/mo/yr)

Genehmigungsinhaber *License Holder* Fertigungsstätte *Manufacturing Plant*
Young Lin Tech. Co., Ltd. Hauptzertifikatsinhaber *Original license holder*
No. 175, Hsin I Rd. 342338
Ta Pi Hsiang, Yun Lin Hsien 631 Xinruilian Electronics (Shenzhen)
Taiwan, R.O.C. Co., Ltd.

Prüfzeichen *Test Mark*

Geprüft nach *Tested acc. to*
EN 60950:1992+A1+A2+A3+A4+A11



Zertifiziertes Produkt (Geräteidentifikation)
Certified Product (Product Identification)

Lizenzentgelte - Einheit
License Fee - Unit

Ventilator (DC Fan)

Bezeichnung (Type Designation)	: DFXYYZZX2X1 (YL)	1
X steht für (stands for):	S oder (or) B	1
YY steht für (stands for):	40, 45, 50, 60, 80, 90, 97	1
ZZ steht für (stands for):	10, 15, 20, 25, 28, 33	1
X2 steht für (stands for):	05, 12, 24 oder (or) 48	1
X1 steht für (stands for):	H, M oder (or) L	1
Nennspannung (Rated Voltage)	: DC 5V (X2=05) DC 12V (X2=12) DC 24V (X2=24) DC 48V (X2=48)	
Nennstrom (Rated Current)	: siehe Anlage (see appendix)	
Nennleistung (Rated Power)	: siehe Anlage (see appendix)	
Schutzklasse (Protection Class)	: III	



6

Dem Zertifikat liegt unsere Prüf- und Zertifizierungsordnung zugrunde.
Das Produkt entspricht den o.g. Anforderungen, die Herstellung wird überwacht.
This certificate is based on our Testing and Certification Regulation. The product fulfills above-mentioned requirements, the production is subject to surveillance.

Zertifizierungsstelle

TÜV Rheinland Product Safety GmbH, Am Grauen Stein, D-51105 Köln

Tel.:(+49/221)8 06 - 13 71 Fax:(+49/221)8 06 - 39 35 e-mail: Althoff@de.tuv.com

Inh. = 378098 / Deb. = 378098 / Fert. = 342338

Dipl.-Ing. A. Klinker

Inh. = 378098 / Deb. = 378098 / Fert. = 342338



2 EUT DESCRIPTION

Product	DC Fans
Trade Name	YLTC
Model	DFS4020; DFB4020; DFB4028; DFS4510; DFB4510; DBS5512; DBC5512; DBB5512; DFS6010; DFC6010; DFB6010; DFS6020; DFB6020; DFC6020; DFS7010; DFC7010; DFS8010; DFC8010; DFS8015; DFC8015; DFB8015; DFC8020; DFB8020; DFS8020; DBB9733; DFS1225; DFB1225; DFB1232; DFS1238; DFB1238; DFS9238; DFB9238; DFS4910; DFC4910; DFB4910; DFS6025; DFB6025; DFC6025; DFS4507; DFB4507
Housing Type	N/A
EUT Power Rating	See as below
DC Power Cable Type	Unshielded, 0.2m

Note:

1. Difference between of forty model numbers (list on this report) are list as below:

Model	Volts	Speed	Model	Volts	Speed
DFS4020	5/12/24	H/M/L	DFB8015	5/12/24	H/M/L
DFB4020	5/12/24	H/M/L	DFC8020	12/24	H/M/L
DFB4028	5/12/24	H/M/L	DFB8020	12/24	H/M/L
DFS4510	12	H/M/L	DFS8020	12/24	H/M/L
DFB4510	12	H/M/L	DBB9733	12	H/M/L
DBS5512	5	H	DFS1225	12/24	H/M/L
DBC5512	5	H	DFB1225	12/24	H/M/L
DBB5512	5	H	DFB1232	12/24	H/M/L
DFS6010	12	H/M/L	DFS1238	12/24/48	H/M/L
DFC6010	12	H/M/L	DFB1238	12/24/48	H/M/L
DFB6010	12	H/M/L	DFS9238	12/24	H/M/L
DFS6020	12	H/M/L	DFB9238	12/24	H/M/L
DFB6020	12	H/M/L	DFS4910	12	H/M/L
DFC6020	12	H/M/L	DFC4910	12	H/M/L
DFS7010	12/24	H/M/L	DFB4910	12	H/M/L
DFC7010	12/24	H/M/L	DFS6025	24	H/M/L
DFS8010	12/24	H/M/L	DFB6025	24	H/M/L
DFC8010	12/24	H/M/L	DFC6025	24	H/M/L
DFS8015	5/12	H/M/L	DFS4507	5/12	H/M
DFC8015	5/12/24	H/M/L	DFB4507	5/12	H/M

2. Client consigns only one sample (model number is DFS1238) to test. Therefore, testing Lab. just guarantees the units, which have been tested.