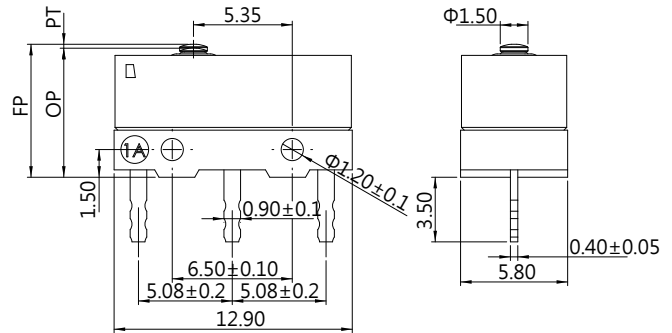


WATER PROOF SWITCHES



DIMENSIONS

Unless otherwise specified, a tolerance of $\pm 0.4\text{mm}$ applies to all dimensions.



DFW SERIES

SPECIFICATIONS

Contact Resistance (initial)

Max. 100mΩ

(Measured by ohm meter-Open Voltage<1VDC,Driver current-100mA)

Insulation Resistance (at 500VDC/minute)

Min. 100MΩ

Dielectric Strength

1500VAC (50~ 60Hz)

Storage Temperature range

-40°C to 85°C (with no icing)

Operating Temperature range

-40°C to 85°C (with no icing)

Storage Humidity

at 40°C , Max. 85% R.H

Vibration

10~55Hz, displacement 0.75 mm (p-p)

Electrical Service Life

3A~5A - Min. 10,000 operations

Electrical Operating Frequency

3A~5A - 10~30 operations per minute

Mechanical Service Life

Min. 1,000,000 operations

Mechanical Operating Frequency

120 operations per minute

APPLICATIONS

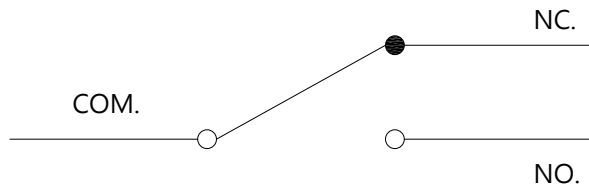
Automotive (Operation system, Engine area Interior)

Air conditioner, communication, Electric tooth brush, toys

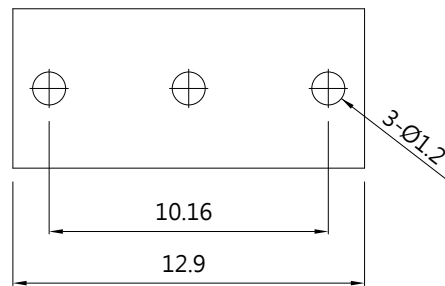
CERTIFICATE INFORMATION

Model Name	
DFW-03	3A 125/250VAC,3A 24VDC (Normal temperature) Min. 10,000 operations
DFW-S3	3A 125VAC Min. 50,000 operations (Normal temperature) 3A 250VAC Min. 30,000 operations 3A 24VDC Min. 10,000 operations
DFW-05	5A 125/250VAC, 3A 24VDC (Temp:85°C) Min. 10,000 operations

CONTACT CONFIGURATION



MOUNTING HOLES



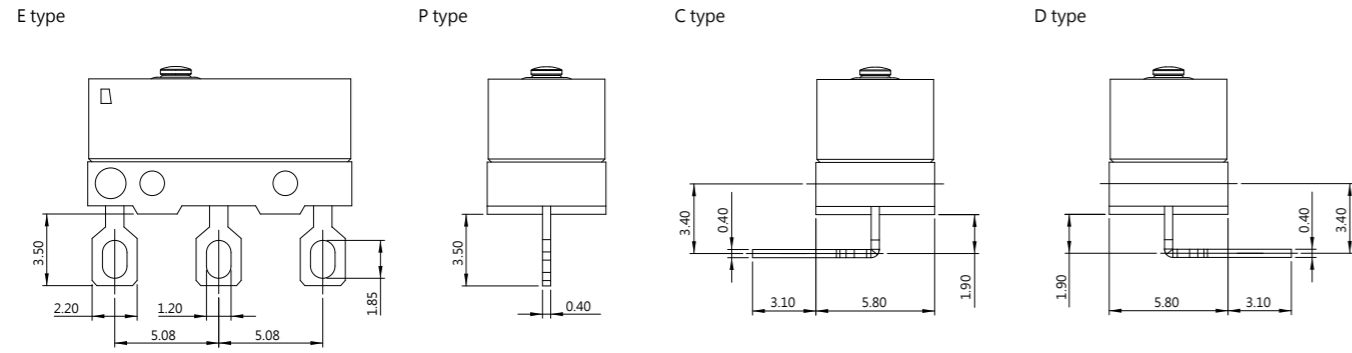
P Type

THE SELECTION OF RATING & FORCE

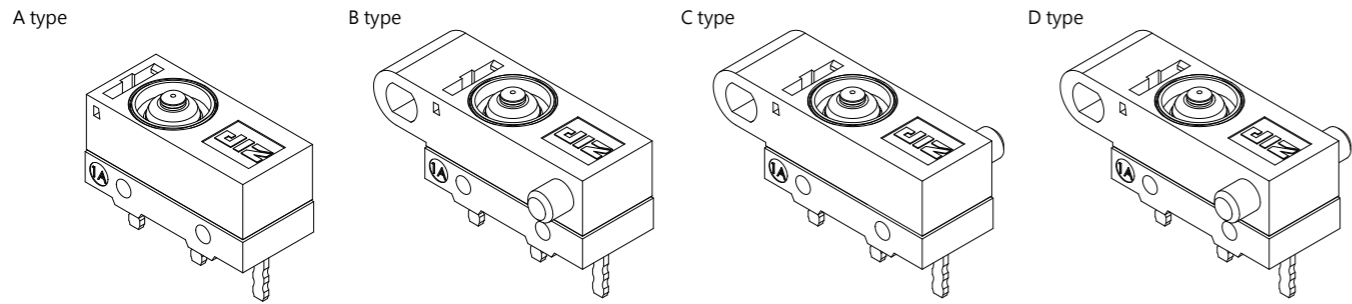
Model	Rating	L	S
DFW	3A	*	*
	5A	*	*

NOTE : The Symbol " * " to represent the result is accepted

TERMINAL TYPES



COVER TYPES



ORDERING INFORMATION

DFW — 03 — S — A01 — P — 0 — A — OA — Z

CODE	OPERATING FORCE	ACTUATOR TYPE	TERMINAL TYPE	CIRCUIT ARRANGEMENT	COVER TYPE	SPECIAL CODE	ROHS CODE
03	S STANDARD	A00	C	0 S.P.D.T	A		
05	L LIGHT	A01	D	1 S.P.S.T NO	B		
S3		A02	E	2 S.P.S.T NC	C		
		B00	P		D		
		B01					
		B02					

CODE	L1	H1	H2	ΦA	ΦB	P
A	1.95	1.85	2.05	2.05	2.55	13.05

OPERATING CHARACTERISTICS

SWITCH TYPE	PART SUFFIX	OF Max. (gf)	OP (mm)	PT Max. (mm)	OT Min. (mm)	MD Max. (mm)	FP Max. (mm)	RF Min. (gf)
DFW- □□□ -A00 □ -Z	L	100	7.0±0.2	0.5	0.2	0.12	7.50	21
	S	170						35
DFW- □□□ -A01 □ -Z	L	32	8.2±0.8	3.4	0.6	0.8	10.1	5
	S	56						8
DFW- □□□ -A02 □ -Z	L	35	10.2±0.8	3.5	0.7	0.7	14.2	5
	S	48						7
DFW- □□□ -A03 □ -Z	L	40	7.9±0.5	2.1	0.55	0.4	9.3	5
	S	65						12
DFW- □□□ -A04 □ -Z	L	39	8.0±0.6	2.5	0.5	0.7	10.8	6
	S	69						10
DFW- □□□ -A05 □ -Z	L	58	9.2±0.6	1.64	0.49	0.3	10.15	7
	S	83						11
DFW- □□□ -A06 □ -Z	L	30	8.33±0.9	3.5	0.6	0.8	10.6	5
	S	50						8
DFW- □□□ -A07 □ -Z	L	30	10.75±0.9	3.5	0.3	0.8	13.5	3
	S	49						8
DFW- □□□ -A08 □ -Z	L	34	8.15±0.7	2.8	0.6	0.7	11.2	5
	S	56						9
DFW- □□□ -A09 □ -Z	L	15	9.5±1.7	6.9	0.55	1.9	16.8	2
	S	24						3