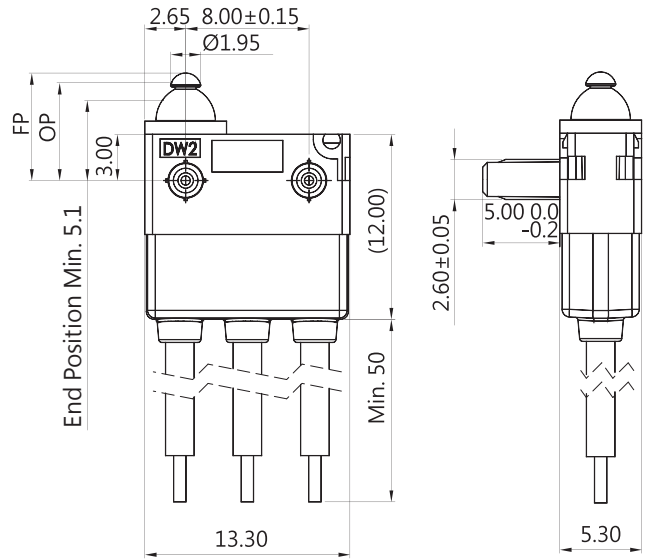


# WATER PROOF SWITCHES

## DIMENSIONS

Unless otherwise specified, a tolerance of  $\pm 0.4\text{mm}$  applies to all dimensions.



## DW2 (IP67) SERIES

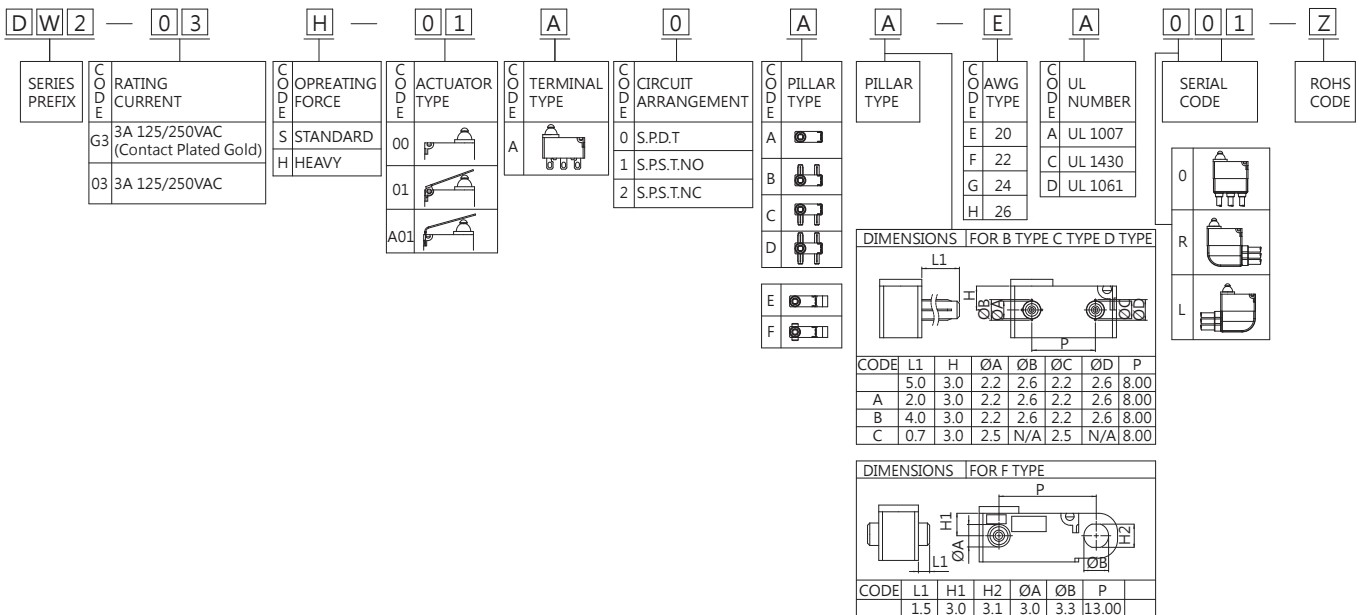
### APPLICATIONS

Automotive (Seat, Door Latch, Engine Hood, Door Truck),  
Air Conditioner, Communication, Security System,  
Electric tooth brush, Toy

### CERTIFICATE INFORMATION

Model Name	UL, cUL	ENEC
DW2-03	0.1RA 3RA 12VDC $\mu$ T55 1E5	0.1A 3A 12VDC $\mu$ T55 1E5
	3RA 24VDC $\mu$ T55 5E4	3A 24VDC $\mu$ T55 5E4
	0.1A 3RA 125/250VAC $\mu$ T55 1E4	0.1A 3A 125/250VAC $\mu$ T55 1E4
DW2-G3	0.1RA 3RA 12VDC $\mu$ T55 1E5	0.1A 3A 12VDC $\mu$ T55 1E5
	3RA 24VDC $\mu$ T55 5E4	3A 24VDC $\mu$ T55 5E4
	0.1RA 3RA 125/250VAC $\mu$ T55 1E4	0.1A 3A 125/250VAC $\mu$ T55 1E4

### ORDERING INFORMATION



## CAUTIONS:

### 注意事項

1. To secure the switch, please use an M3 small screw on a flat surface and tighten with plane washers or spring washers to securely mount the Switch, using a maximum torque of 0.29 N•m.  
若使用定位孔型式上蓋，請使用M3小型螺絲固定在平面上，並使用平墊圈或者彈性墊圈以便安全的鎖固開關，鎖固扭力請勿超過0.29 N•m.
2. Do not handle the switch in a way that may cause damage to the sealed rubber & switch sealing.  
使用開關時，請勿損壞開關防水矽膠罩及開關防水膠。
3. Wires should not be dragged.  
使用帶線型式時，請注意避免拉扯線材。
4. To ensure the best performance of the switch, when handling/installing the switch, please do not apply uneven pressure to the direction indicated by the arrow in Figure 1. Any uneven pressure or pressure direction other than the operating direction might be harmful or damage the switch performance.  
為確保開關正常運作，安裝及取用開關時，請勿直接施加壓力在圖-1中箭頭所指示的方向。如圖所示，任何不對稱的壓力或作動方向以外的壓力都不適用在開關按柄上。
5. Do not exceed the end position (EP) and over travel (OT). This could cause operation failure. (Figure-2)  
圖示設計按壓位置，請勿超過開關下死點及超出行程，以避免開關失效。(圖2)
6. Avoid applying any grease/oil and chemicals on the switch rubber.  
請避免沾附任何油脂或者化學物質在開關的矽膠防水罩上。

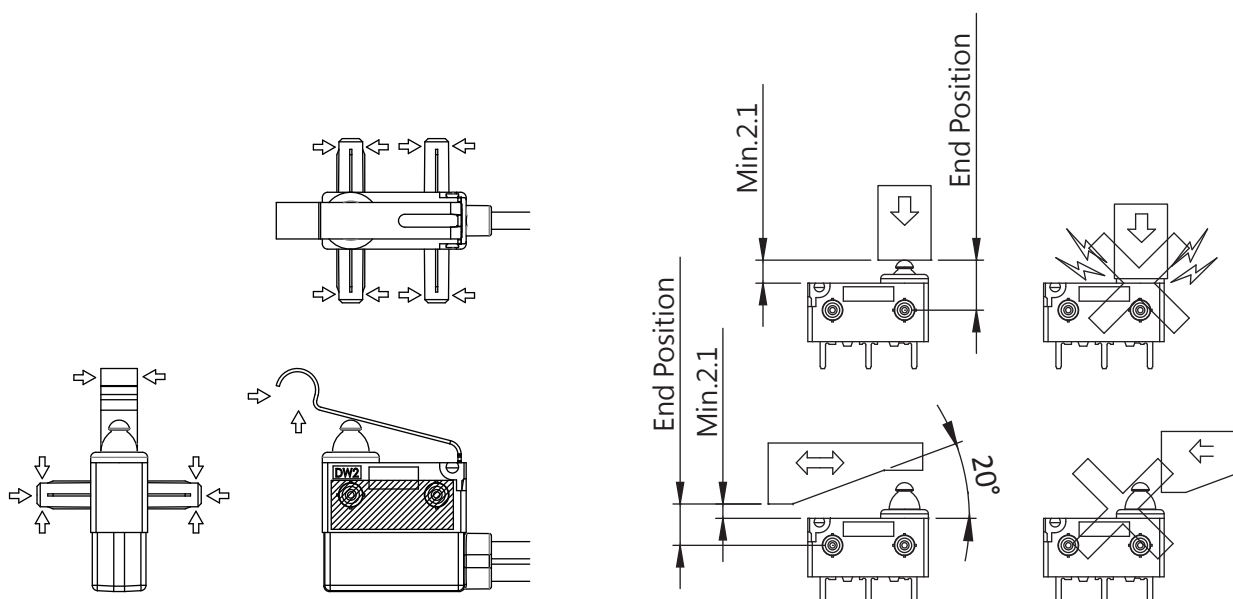


Figure-1

Figure-2