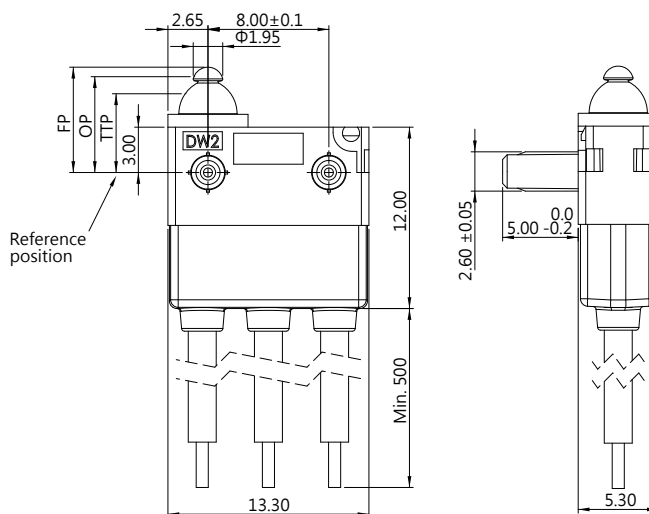


WATER PROOF SWITCHES



DIMENSIONS

Unless otherwise specified, a tolerance of $\pm 0.4\text{mm}$ applies to all dimensions.



DW2 (IP67) SERIES

APPLICATIONS :

Automotive (Operation system, Engine area Interior)
Air conditioner, communication, Electric tooth brush, toys

CERTIFICATE INFORMATION

Model Name	cULus · ENEC15
DW2-03S	0.1A/3A 12VDC (Normal temperature) Min. 100,000 operations
	0.1A/3A 125/250VAC (Normal temperature) Min. 10,000 operations
	3A 24VDC (Normal temperature) Min. 50,000 operations
DW2-G3S	0.1A/3A 12VDC (Normal temperature) Min. 100,000 operations
	0.1A/3A 125/250VAC (Normal temperature) Min. 10,000 operations
	3A 24VDC (Normal temperature) Min. 50,000 operations

ORDERING INFORMATION

SERIES PREFIX	RATING CURRENT	OPERATING FORCE	ACTUATOR TYPE	TERMINAL TYPE	CIRCUIT ARRANGEMENT	PILLAR TYPE	SPECIAL CODE	AWG TYPE	UL NUMBER	SERIAL CODE	ROHS CODE
DW2	0.1A 12VDC Min.100,000 operations 3A 12VDC Min.100,000 operations 3A 24VDC Min.50,000 operations 0.1A 125/250VAC Min.10,000 operations 3A 125/250VAC Min.10,000 operations	S STANDARD	00 01 11	A P	0 S.P.D.T 1 S.P.S.T.NO 2 S.P.S.T.NC	A B C D E F		E 20 F 22 G 24 H 26	A UL 1007 C UL 1430 D UL 1061 E UL 1330	0 R L	Z

DIMENSIONS							
CODE	L1	H	ΦA	ΦB	ΦC	ΦD	P
	5.0	3.0	2.2	2.6	2.2	2.6	8.00
A	2.0	3.0	2.2	2.6	2.2	2.6	8.00
B	4.0	3.0	2.2	2.6	2.2	2.6	8.00
C	0.7	3.0	2.5	無肋	2.5	無肋	8.00