

WATER PROOF SWITCHES



DW (IP67)SERIES

APPLICATIONS

Automotive (Seat Belt, Door Latch, Engine Hood, Door Trunk), Air Conditioner, Communication, Security System, Electric Tooth Brush, Toy

SPECIFICATIONS

Contact Resistance(initial)

Max. 100 mΩ

Insulation Resistance(at 250 VDC / minute)

Min. 100 MΩ

Dielectric Strength

150 VAC(50~ 60 Hz)

Electrical Service Life

3A - Min. 6,000 operations

Electrical Operating Frequency

3A-10~30 operations per minute

Mechanical Service Life

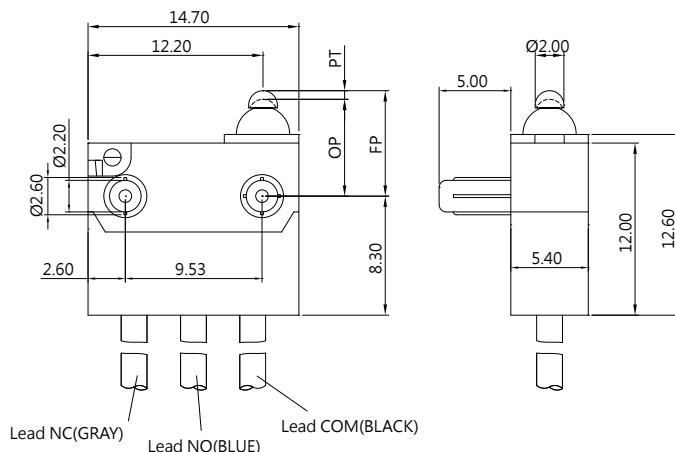
Min. 500,000 operations

Mechanical Operating Frequency

120 operations per minute

DIMENSIONS

Unless otherwise specified, a tolerance of ±0.4mm applies to all dimensions.



CERTIFICATE INFORMATION

Model Name	UL, cUL	ENEC14
DW-N2S	10 mA 12 VDC (Temp : 65°C), Min. 10,000 operations	10mA 12VDC, μ 5E5
DW-N3S	3 A 12 VDC (Temp:65°C) Min. 100,000 operations 3A 125 VAC (Temp:65°C) Min. 6,000 operations	3A 12VDC, μ 1E5

ORDERING INFORMATION

DW — N2 S — 01 A 0 — E A 001A — Z

SERIES PREFIX	CODE	RATING CURRENT	CODE	OPERATING FORCE	CODE	ACTUATOR TYPE	CODE	PILLAR & TRAVEL TYPE	CODE	CIRCUIT ARRANGEMENT	CODE	AWG TYPE	CODE	UL NUMBER	SERIAL CODE	ROHS CODE
	N2	10mA 12VDC Contact Plated Gold and Terminal Plated Sliver	S	STANDARD	00		A	SHORT TRAVEL	0	S.P.D.T	E	20	A	UL 1007	O	Z
	N3	3A 12VDC 3A 125VAC Terminal Plated Sliver and Contact is Sliver			01		B		1	S.P.S.T.NO	F	22	C	UL 1430		
					04		C		2	S.P.S.T.NC	G	24	D	UL 1061	L	
							G									
							I									
							K	LONG TRAVEL								
							M									
							D									
							E									
							F									
							H									
							J									
							L									
							N									

DIMENSIONS

CODE	L1	H	ØA	ØB	ØC	ØD	P
A	2.0	3.7	2.2	2.6	2.2	2.6	9.53
B	3.5	3.7	2.2	2.6	2.2	2.6	9.53
C	2.8	3.75	2.7	3.1 (THREE RIBS)	2.2	2.6	9.53
D	4.0	3.7	2.2	2.6	2.2	2.6	9.53
E	0.9	3.7	2.2	N/A	2.2	N/A	9.53
F	1.8	3.7	2.5	N/A	2.5	N/A	9.53
G	5.0	3.7	2.4	2.8	2.4	2.8	8.0