

Joystick, 1 axis with square flange.

Part No.
09-01.18214.0107

Mechanical characteristics

- Mounting
from front of panel, 4 screws
($\varnothing 3.5\text{mm}$)
- 1 axis
- No cross guidance
- No gate shape
- 20° deflection angle
- Handle "Winter"
- Resetting
self-resetting (medium resetting force)
- Actuating force of centre tab
Y-axis 180Nmm
- Max. actuating force in use
Y-axis 420Nmm
- Max. force
Y-axis 18000Nmm

Electrical characteristics

- Operating voltage
5VDC
- Technology
Hall effect sensors
- Output signal
proportional ($-y = 0.5\text{V}$ /
Mid = 2.5V / $+y = 4.5\text{V}$)
- Redundancy
yes
- Connection
Minitex plug (8-pole)
- No interface

Ambient conditions

- Operating temperature
 -30°C to $+80^\circ\text{C}$
- Storage temperature
 -40°C to $+85^\circ\text{C}$

Degree of protection

- IP65 front protection
- IP40 rear protection



Gate



Dimensions

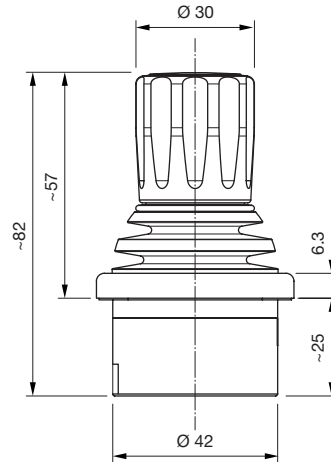
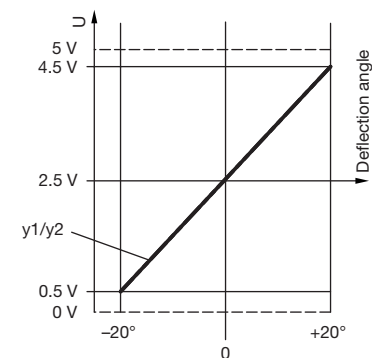


Diagram Y-axis



View from above

