

Joystick, small but beautiful.

Part No.
09-01.22221.0128

Mechanical characteristics

- Mounting
from above, four screws (Ø 3.5 mm)
- 2 axes
- Light cross guidance
- Gate shape square
- 20° deflection angle
- Handle “Nupsi”
- Resetting
self-resetting (medium resetting force)
- Actuating force from neutral tab
X/Y-axis 1806 Nmm
- Max. actuating force in operation
X/Y-axis 420 Nmm
- Maximum force
X/Y-axis 10000 Nmm

Electrical characteristics

- Operating voltage
5 VDC
- Technology
Hall effect sensors
- Output signal
proportional ($-x1/y1 = 0.5V/average = 2.5V/+x1/y1 = 4.5V$) ($-x2/y2 = 4.5V/average = 2.5V/+x2/y2 = 0.5V$)
- Redundancy
all axes
- Connection
Minitex plug (8-pole)
- No interface

Ambient conditions

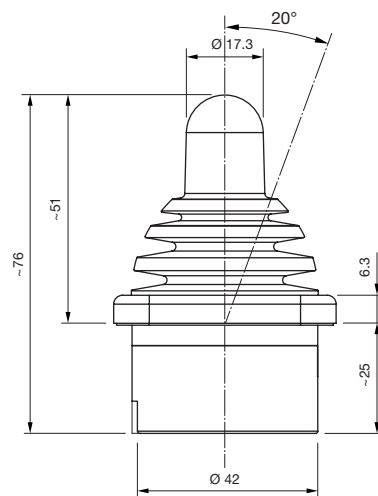
- Operating temperature
-30 °C to +80 °C
- Storage temperature
-40 °C to +85 °C

Degree of protection

- IP67 front protection
- IP40 rear protection



Dimensions



Gate

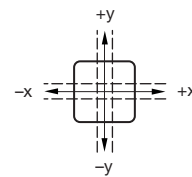
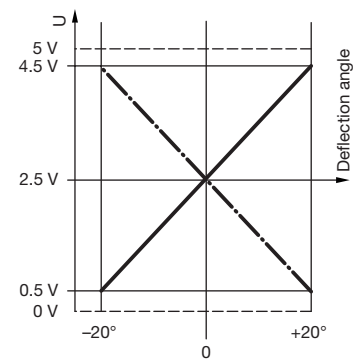


Diagram X-, Y-axis



View from above

