

Joystick, 3 axes with square flange.

Part No.
09-01.32294.0109

Mechanical characteristics

- Mounting
from front of panel, four screws
($\varnothing 3.5\text{mm}$)
- 3 axes
- Soft cross guidance
- Square gate shape
- Deflection angle XY: $\pm 20^\circ$ / Z: $\pm 30^\circ$
- Handle "Winter twist"
- Resetting
self-resetting (medium resetting force)
- Actuating force of centre tab
X/Y-axis 180Nmm/Z-axis 75Nmm
- Max. actuating force in use
X/Y-axis 420Nmm/Z-axis 180Nmm
- Max. force
X/Y-axis 18000Nmm/
Z-axis 10000Nmm

Electrical characteristics

- Operating voltage
5VDC
- Technology
Hall effect sensors
- Output signal
proportional ($-x/y/z = 0.5\text{V}$ /
Mid = 2.5V / $+x/y/z = 4.5\text{V}$)
- Redundancy
all axes
- Connection
Minitek plug (8-pole)
- No interface

Ambient conditions

- Operating temperature
 -30°C to $+80^\circ\text{C}$
- Storage temperature
 -40°C to $+85^\circ\text{C}$

Degree of protection

- IP65 front protection
- IP40 rear protection



Gate

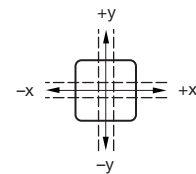


Diagram X-, Y-axis

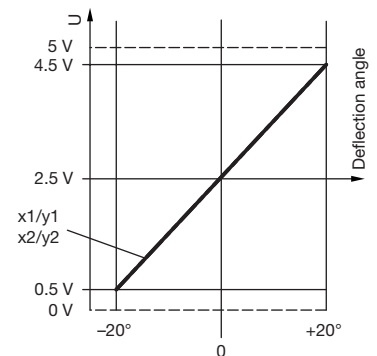
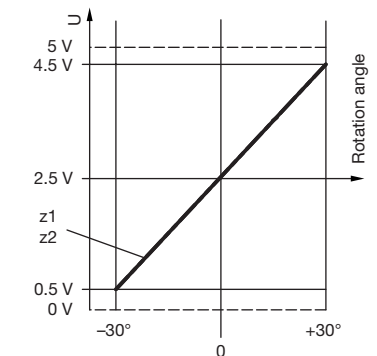
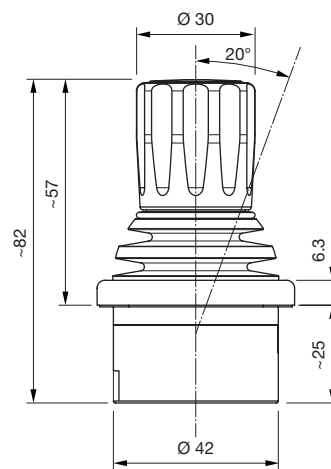


Diagram Z-axis



Dimensions



View from above

