

# Joystick, standard with round flange.

**Part No.**  
09-02.22244.1052

**Mechanical characteristics**

- Mounting  
from rear of panel, 4 x M3 screws
- 2 axes
- Rigid cross guidance
- Gate shape square
- 20° deflection angle
- Handle "Standard"
- Resetting  
self-resetting (medium resetting force)
- Actuating force of centre tab  
X/Y-axis 160Nmm
- Max. actuating force in use  
X/Y-axis 500Nmm
- Max. force  
X/Y-axis 18000Nmm

**Electrical characteristics**

- Operating voltage  
max. 30 VDC
- Technology  
conductive plastic with digital steps/  
control segment 1-0-1
- Output signal  
proportional with centre tab at  $\pm 1.75^\circ$ ,  
switch point at  $\pm 2.3^\circ$  (see diagram  
X-, Y-axis)
- Connection  
Dubox plug (6- and 8-pole)
- No interface

**Ambient conditions**

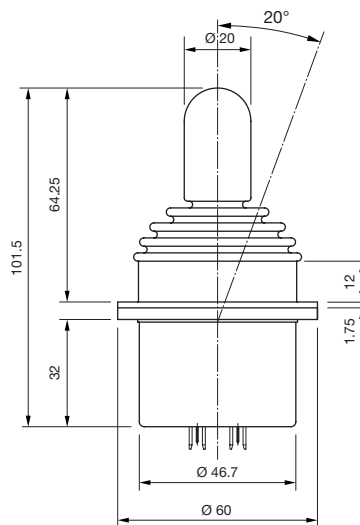
- Operating temperature  
 $-30^\circ\text{C}$  to  $+80^\circ\text{C}$
- Storage temperature  
 $-40^\circ\text{C}$  to  $+85^\circ\text{C}$

**Degree of protection**

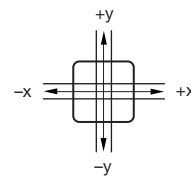
- IP67 front protection
- IP40 rear protection



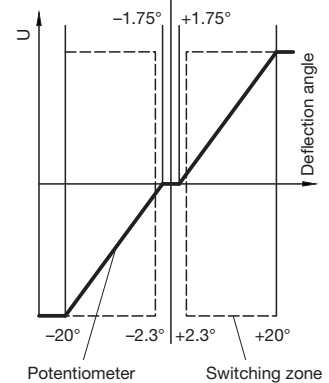
**Dimensions**



**Gate**



**Diagram X-, Y-axis**



**Bottom view**

