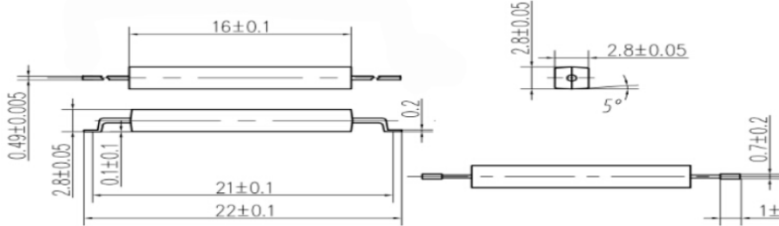
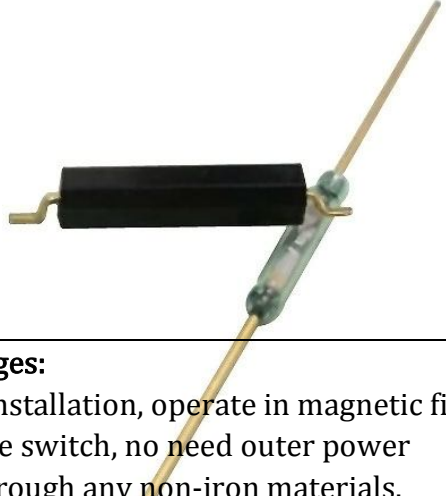



PCB/SMD Mount Reed Switch/Sensor

| | | | |
|--|---|--|---------------|
| Product Name | Normally Open Reed Sensor | Item No. | FRS-16A22SMDH |
|  | |  | |
| | | <p>Advantages:</p> <ol style="list-style-type: none"> 1. Easy installation, operate in magnetic field. 2. Passive switch, no need outer power 3. Cut through any non-iron materials. | |
| Item Numbers | FRS-16A22SMDH  | | |
| Built-in reed switch | MKA-14103 | | |
| Switch Form | Form A-SPST | | |
| Operate Range (AT) | 8-35 | | |
| Operate Time (ms) | 1.0 | | |
| Resonant Frequency (Hz) | 4000 | | |
| Switched Power (max.) | 10 | | |
| Switched Vdc/Vac (max.) | 100 | | |
| Switched Current (max.) | 0.5 | | |
| Carry Current (max.) | 1.0 | | |
| Breakdown Voltage (min.) | 220 | | |
| Contact Resist. (max.) | 100 | | |
| Contact Capacit. (max.) | 0.7 | | |
| Insulation Resist. (min.) | 10 ⁸ | | |
| Mould Case | Black Epoxy Resin | | |
| Sealed technique | Black Epoxy Resin | | |
| Work Temperature | -55~+230 | | |
| Installation | 2 pins, SMT | | |