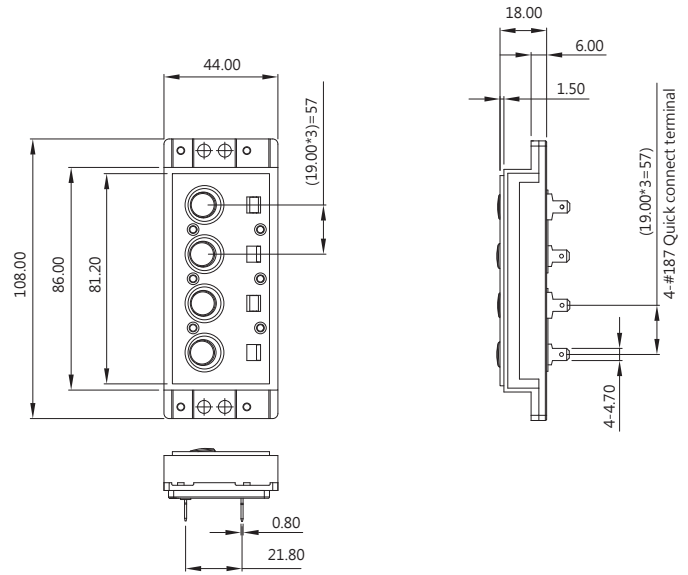


ROCKER SWITCHES

DIMENSIONS

Unless otherwise specified, a tolerance of $\pm 0.4\text{mm}$ applies to all dimensions.



FT SERIES

SPECIFICATIONS

Operating Force

2~5lb(907~2268gf)

Contact Resistance (initial)

Max. 300 m Ω

Measured by ohm meter –open voltage <1VDC, driver current -100mA

Insulation Resistance (at 500VDC/minute)

Min. 100M Ω

Dielectric Strength

1000VAC(50~60Hz)

Operating Temperature Range

-40°C to 50°C (with no icing)

Electrical Service Life

Min. 6,000 operations

Electrical Operating Frequency

10~30 operations per minute

Mechanical Service Life

Min. 24,000 operations

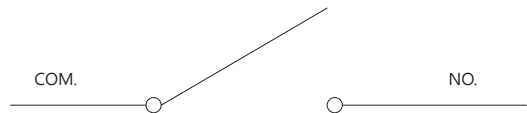
Mechanical Operating Frequency

30 operations per minute

APPLICATION

Refrigerator , Self cleaning filter,Washing machine

CONTACT CONFIGURATION



CERTIFICATE INFORMATION

Model Name	UL, cUL
FT-15	15.1A 125/250/277VAC 1/2HP 125/250/277VAC

ORDERING INFORMATION

FT - 15 S - G D - S 01 - Z

SERIES PREFIX	CODE	RATING CURRENT	CODE	OPERATING FORCE	CODE	COLOR	CODE	TERMINAL TYPE	CODE	MECHANICAL SERVICE LIFE	SPECIAL CODE	ROHS CODE
	15	15.1A 1/2HP 125/250/277VAC	S	907~2268g(2~5lb)	G	GRAY	D	#187 QUICK CONNECT TERMINAL	S	MIN 22,000 OPERATIONS		
					B	BLACK			H	MIN 44,000 OPERATIONS		