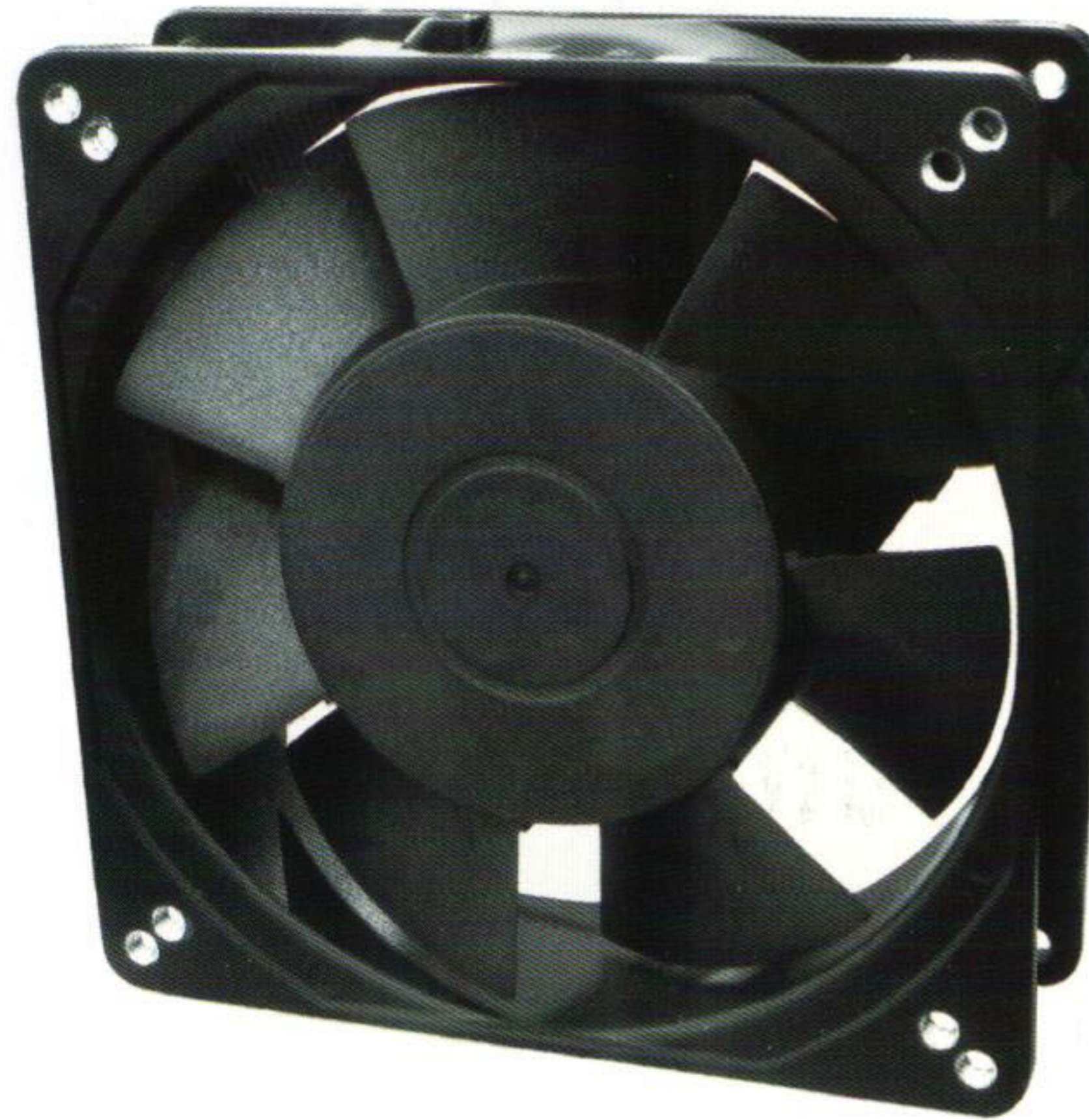
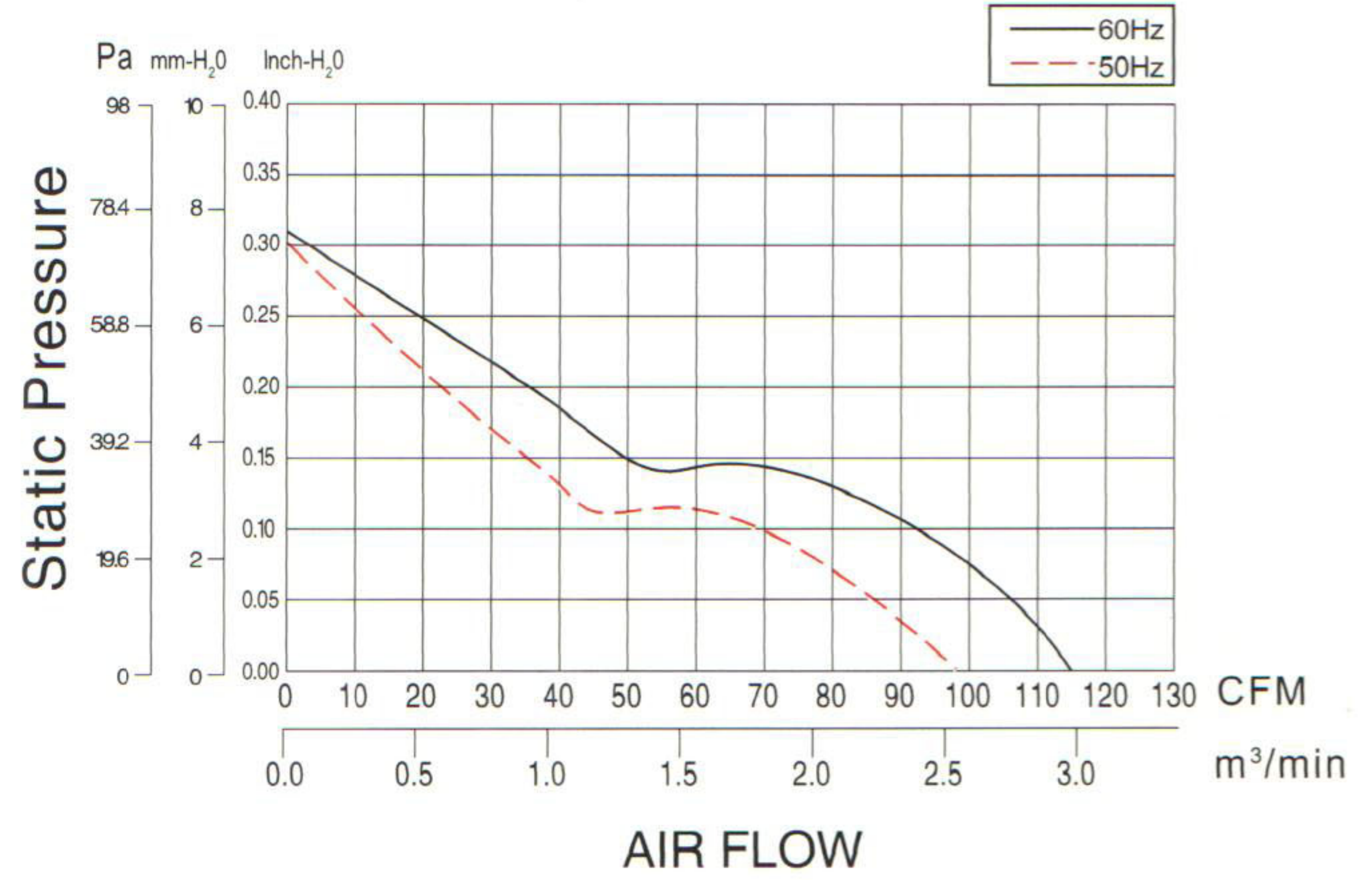
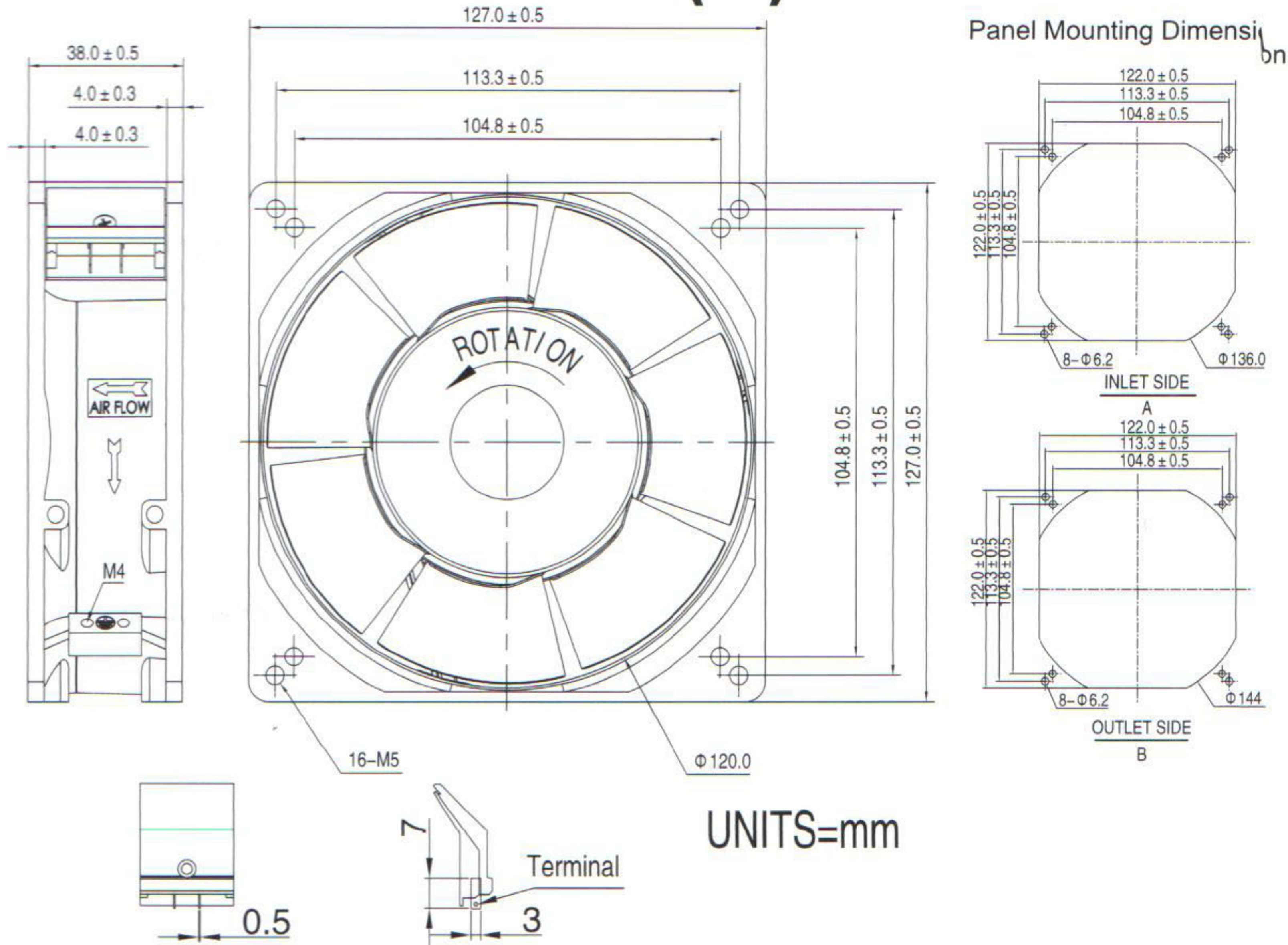
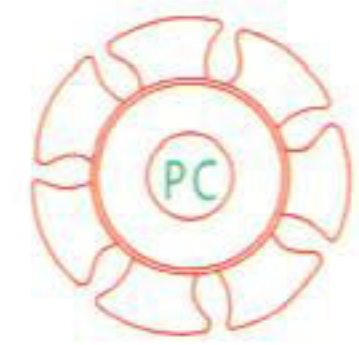


127×127×38mm(H)



IP-55



모델 Model	Part No. Terminal Leadwire	베어링 Bearing System	전압 Rated Voltage(v)	주파수 Freq (Hz)	전류 Current (A)	와트 Input Power(w)	회전 속도 Speed (rpm)	풍량 Air Flow (CFM)	공전 압력 Static Pressure (inch-H <sub>2</sub> O)	소음 Noise Leve(dB-A)	중량 Weight (g)
KA12738HA1-2(IP55)/PC	12738HA1BMT(L)	Ball	110/120	50/60	0.28/0.22	21/18	2700/3100	98/115	0.30/0.31	50/52	460
KA12738HA2-2(IP55)/PC	12738HA2BMT(L)	Ball	220/240	50/60	0.13/0.11	21/18	2700/3100	98/115	0.30/0.31	50/52	460
KA12738HA3-2(IP55)/PC	12738HA3BMT(L)	Ball	380/400	50/60	0.07/0.06	21/18	2700/3100	98/115	0.30/0.31	50/52	460
KA12738HA1-2(IP55)/PC	12738HA1SMT(L)	Sleeve(Best)	110/120	50/60	0.28/0.22	21/18	2700/3100	98/115	0.30/0.31	50/52	460
KA12738HA2-2(IP55)/PC	12738HA2SMT(L)	Sleeve(Best)	220/240	50/60	0.13/0.11	21/18	2700/3100	98/115	0.30/0.31	50/52	460
KA12738HA3-2(IP55)/PC	12738HA3SMT(L)	Sleeve(Best)	380/400	50/60	0.07/0.06	21/18	2700/3100	98/115	0.30/0.31	50/52	460