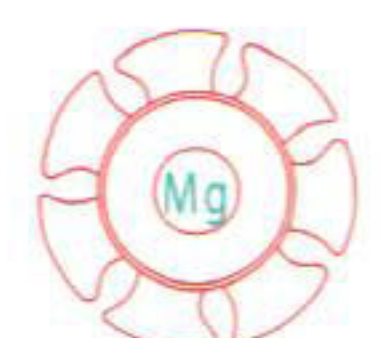
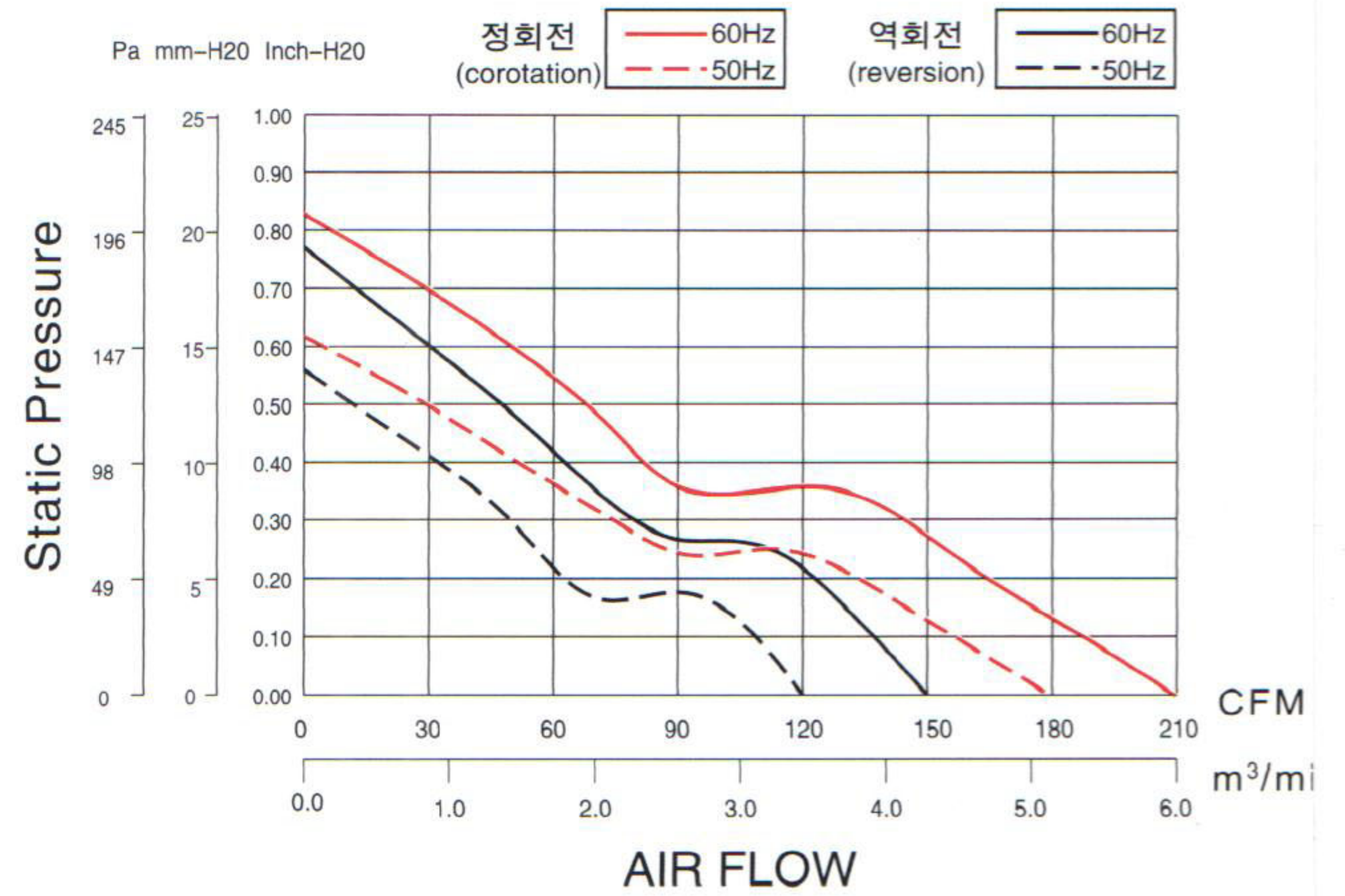
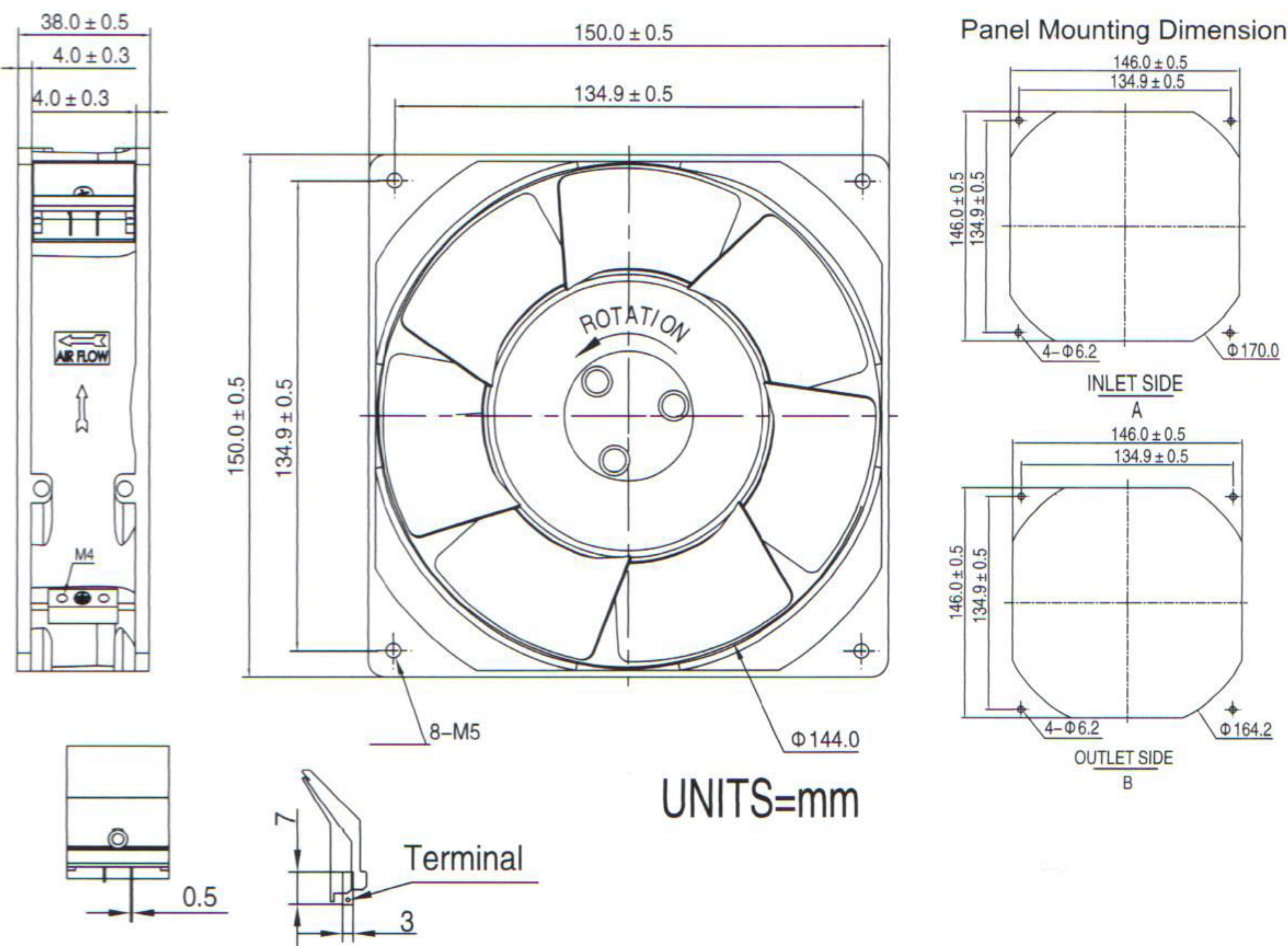


150×150×38mm(H)



모델 Model	Part No. Terminal Leadwire	베어링 Bearing System	전압 Rated Voltage(v)	주파수 Freq (Hz)	전류 Current (A)	와트 Input Power(w)	회전 속도 Speed (rpm)	풍량 Air Flow (CFM)	공전 압력 Static Pressure (inch-H ₂ O)	소음 Noise Leve(dB-A)	중량 Weight (g)
KA15023HA(1)1-2/Mg	15023HA(1)1BMT	Ball	110/120	50/60	0.27/0.23	27/26	2800/3300	180/210	0.62/0.83	57/61	650
KA15023HA(1)1-2/Mg	15023HA(1)1BML(C)	Ball	110/120	50/60	0.27/0.23	27/26	2800/3300	180/210 (정회전) 120/150 (역회전) (corotation) (reversion)	0.62/0.83 (정회전) 0.56/0.77 (역회전) (corotation) (reversion)	57/61	650
KA15023HA(1)1-2/Mg	15023HA(1)1BMT(A)	Ball	110/120	50/60	0.27/0.23	27/26	2800/3300	180/210	0.62/0.83	57/61	650
KA15023HA(1)2-2/Mg	15023HA(1)2BMT	Ball	220/240	50/60	0.13/0.12	27/26	2800/3300	180/210	0.62/0.83	57/61	650
KA15023HA(1)2-2/Mg	15023HA(1)2BML(C)	Ball	220/240	50/60	0.13/0.12	27/26	2800/3300	180/210 (정회전) 120/150 (역회전) (corotation) (reversion)	0.62/0.83 (정회전) 0.56/0.77 (역회전) (corotation) (reversion)	57/61	650
KA15023HA(1)2-2/Mg	15023HA(1)2BMT(A)	Ball	220/240	50/60	0.13/0.12	27/26	2800/3300	180/210	0.64/0.85	57/61	650

주의: 1. (C)----반 회전기능이 있습니다. (출선타입입니다, 선의 길이가310 mm입니다, UL1332#,24AWG.200℃에 부합하는 검은색선을 사용합니다.)

Note: 1. (C) represent the function of corotation and rollback(this fan is lead wire style ,adopting 3 black wires with each of the length 310mm which meet UL 1332#,24AW

2. (A)--- 경보기능이 있습니다. (a. passive contact 입니다. b.단자타입입니다, 경보선의 기리가 310mm 입니다, UL1332#,24AWG.200℃에 부합한 노란색선을 사용합니다.)

2. (A) represent the function of fan with warning signal output (a.This warning function adopt passive adherent point type. b.This fan is terminal type,

warning signal output adopting yellow wire with the length of 310mm which meet UL1332#,24AWG.200℃ standard) in the form.