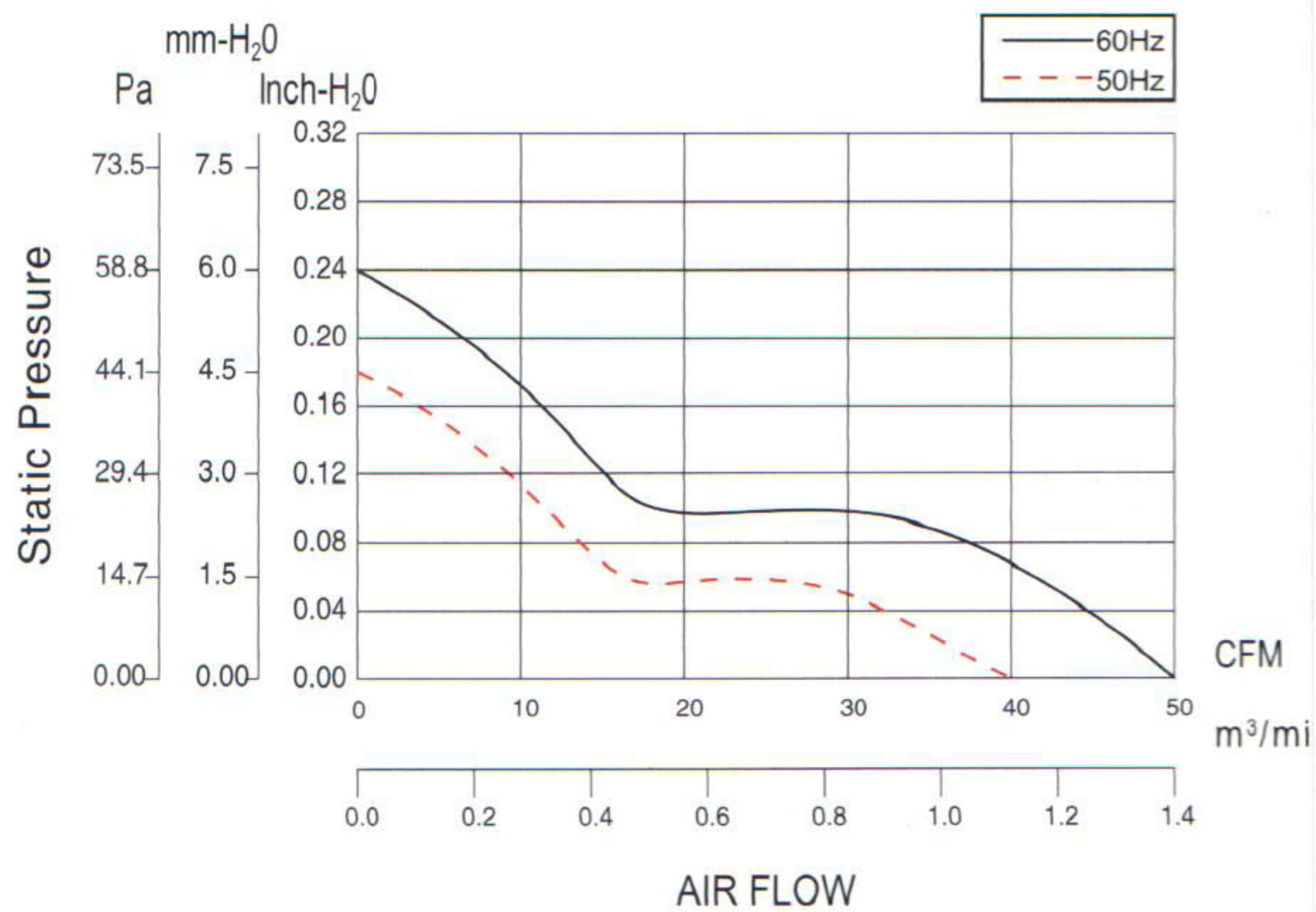
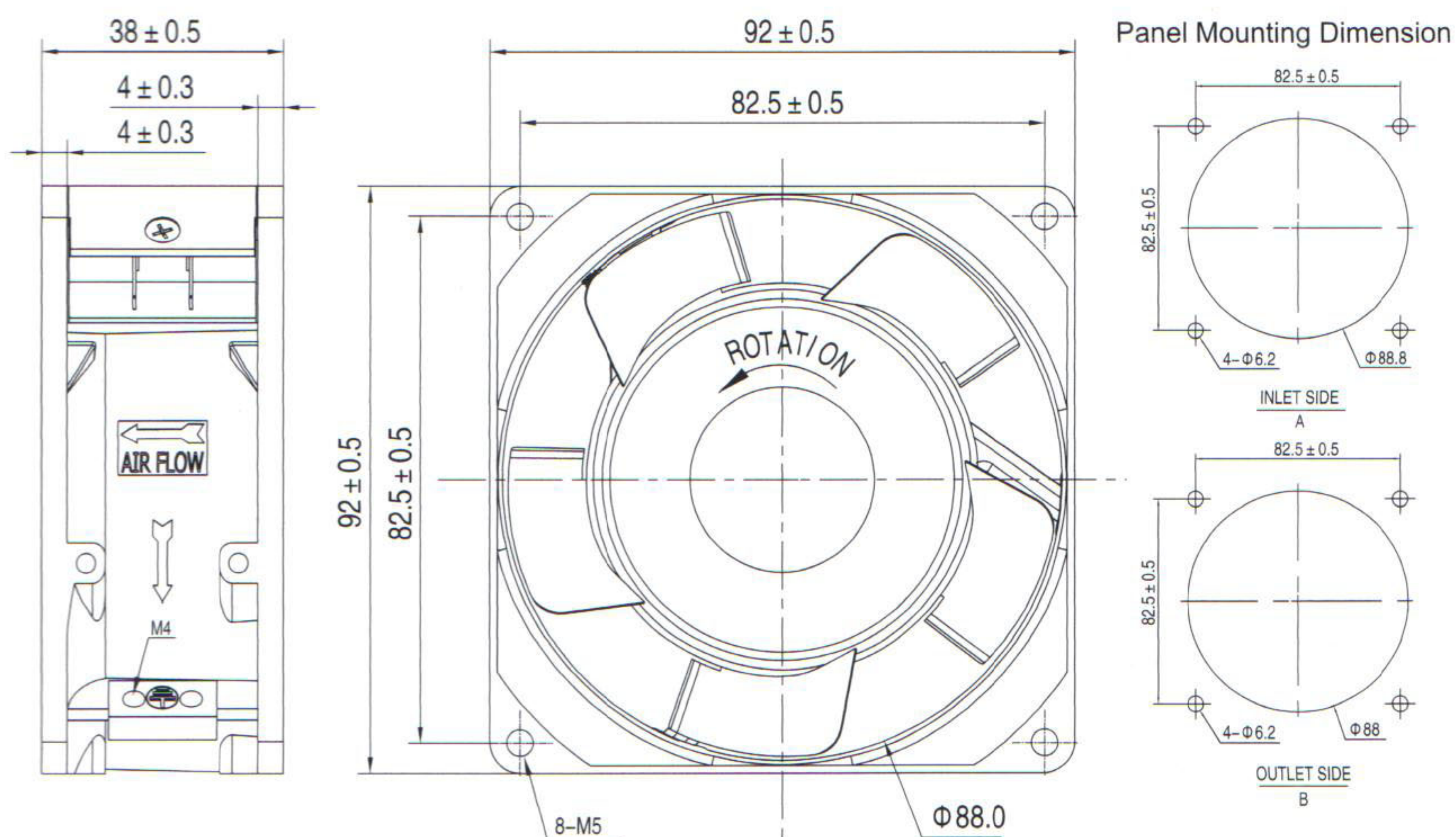
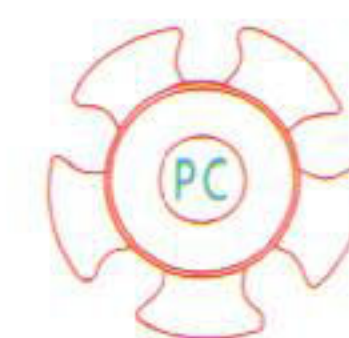
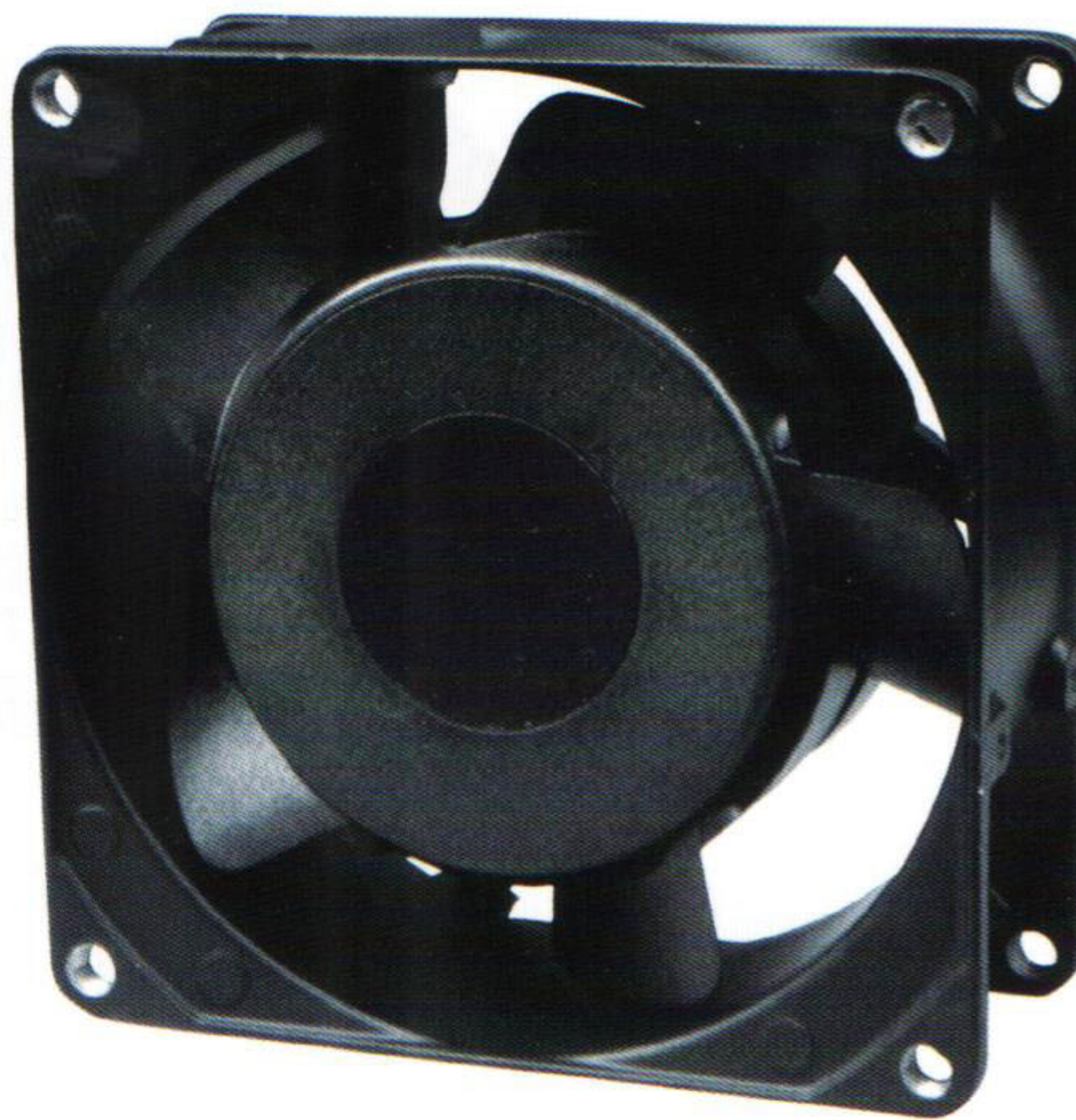
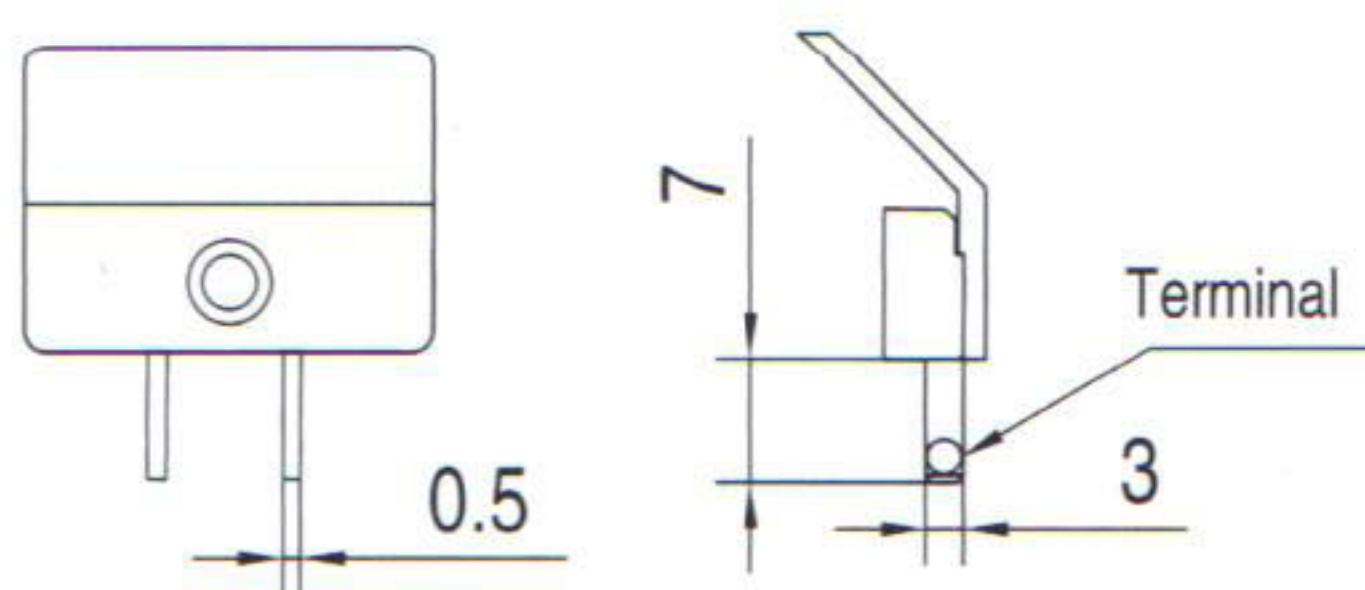


92×92×38mm



UNITS=mm



모델 Model	Part No. Terminal Leadwire	베어링 Bearing System	전압 Rated Voltage(v)	주파수 Freq (Hz)	전류 Current (A)	와트 Input Power(w)	회전 속도 Speed (rpm)	풍량 Air Flow (CFM)	공전 압력 Static Pressure (inch-H ₂ O)	소음 Noise Leve(dB-A)	중량 Weight (g)
KA9238HA1-2/PC	9238HA1BMT(L)	Ball	110/120	50/60	0.15/0.14	15/14	2500/3000	40/50	0.18/0.24	37/41	330
KA9238HA2-2/PC	9238HA2BMT(L)	Ball	220/240	50/60	0.08/0.07	14/13	2500/3000	40/50	0.18/0.24	37/41	330
KA9238HA1-2/PC	9238HA1SMT(L)	Sleeve(Best)	110/120	50/60	0.15/0.14	15/14	2500/3000	40/50	0.18/0.24	37/41	330
KA9238HA2-2/PC	9238HA2SMT(L)	Sleeve(Best)	220/240	50/60	0.08/0.07	14/13	2500/3000	40/50	0.18/0.24	37/41	330