

1

2

3

4

A

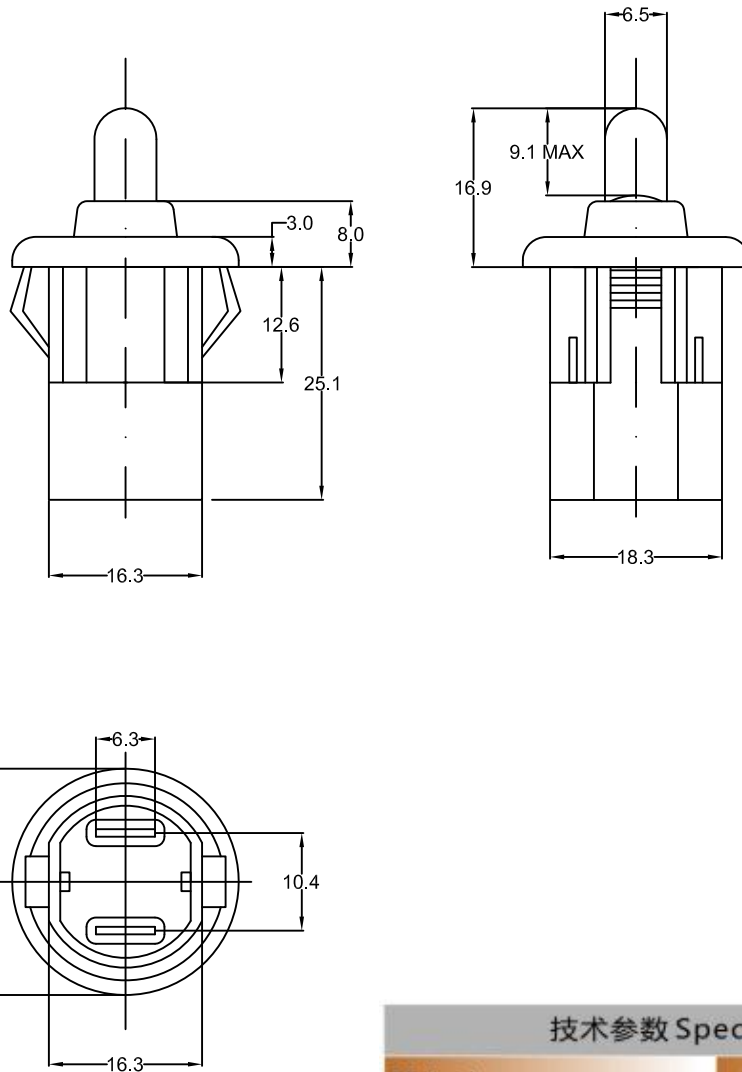
B

C

D

E

F



### 技术参数 Specification

|                                  |                        |
|----------------------------------|------------------------|
| 型号 Model                         | KD-M3                  |
| 接触电阻 (初始值) Contact Resistance    | DC 2-4V 1A20mΩ OR LESS |
| 绝缘电阻 (常态) Insulation Resistance  | DC 500V 100mΩ OR MORE  |
| 抗电强度 Dielectric Strength         | AC 1500V FOR 1 Min     |
| 电气寿命 (次) Electric Life(cycles)   | 50,000CYCLES           |
| 电气额定值 Max.Rating Current&Voltage | 0.25A 250VAC           |

UNLESS OTHERWISE SPECIFIED:  
DIMENSIONS ARE IN MILLIMETERS  
SURFACE FINISH:  
TOLERANCES:  
LINEAR:  
ANGULAR:

FINISH:

DEBUR AND  
BREAK SHARP  
EDGES

DO NOT SCALE DRAWING

REVISION

宁波凯锐电器有限公司  
NINGBO KARA ELECTRONIC CO.,LTD

|        | NAME | SIGNATURE | DATE |           |  |
|--------|------|-----------|------|-----------|--|
| DRAWN  |      |           |      |           |  |
| CHK'D  |      |           |      |           |  |
| APPV'D |      |           |      |           |  |
| MFG    |      |           |      |           |  |
| Q.A    |      |           |      | MATERIAL: |  |
|        |      |           |      |           |  |
|        |      |           |      | WEIGHT:   |  |

|           |              |
|-----------|--------------|
| TITLE:    |              |
| DWG NO.   | A4           |
| SCALE:5:1 | SHEET 1 OF 1 |