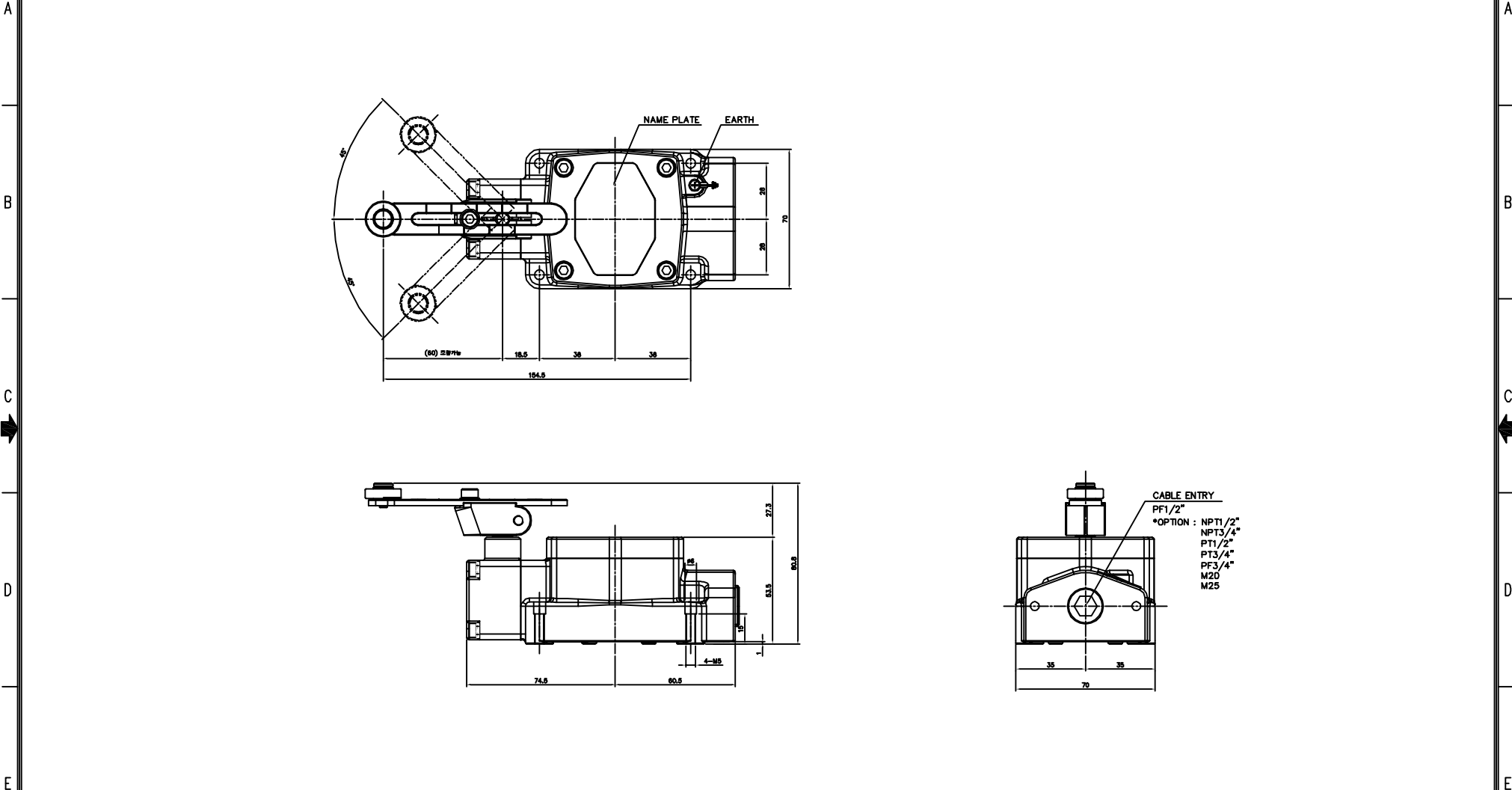


1 2 3 4 5 6 7

Explosion Proof Limit Switch

| REV.NO. | REVISION DESCRIPTION | DRAWN / DATE | APPROVED / DATE |
|---------|----------------------|--------------|-----------------|
| △1      | 서식맞춰 최초작성            | 노현기/15.05.20 | /               |
| △1      |                      |              | /               |



|  |          |  |           |
|--|----------|--|-----------|
| PRODUCT NAME<br>Explosion Proof Limit Switch |          | KOSAPLUS Co.,Ltd<br><small>KOREA</small> |           |
| MODEL<br>KU1                                 |          | TITLE<br>외형도                             |           |
| MATERIAL                                     | HARDNESS | DRAWING NO.<br>KU1-Outside View          | REV.<br>0 |

1 2 3 4 5 6 7