

多種接點, 節省工時的新一代小型安全限位開關

- 多種接點類型包括: 1NC/1NO, 2NC.
- 可同時用於標準負載與微小負載

Multi-contact, Labor-saving, New-generation, Miniature Safety Limit Switch

- Multiple contact models: 1NC/1NO, and 2NC.
- Applicable to both standard loads and microload.

■性能 Characteristics

保護結構 Degree of protection		IP67
壽命 Durability	機械性 Mechanical	1,000,000 operations min.
	電器性 Electrical	500,000 operations min. (3A resistive load at 250 VAC) 300,000 operations min. (10A resistive load at 250 VAC)
容許操作速度 Operating Speed		0.05 to 0.5 m/s
容許操作頻率 Operating Frequency	機械性 Mechanical	30 operations/minute max.
	電器性 Electrical	
額定頻率 Rated Frequency		50/60Hz
絕緣阻抗(絕緣電阻) Insulation Resistance		100MΩ min.
接觸阻抗(接點電阻) Contact Resistance		25mΩ max.
耐電壓 Dielectric Strength	同極端子間 Between terminals of same polarity	2.5KV
	異極端子間 Between terminals of different polarity	4kV
	各端子與非充電金屬部間 Between each terminal and non-current-carrying metal part	6kV
額定絕緣電壓 (U _i) Rated insulation voltage (U _i)		300V
污染度 (使用環境) Pollution degree (Application environment)		3 (EN60947-5-1)
附帶條件短路電流 Conditional short-circuit current		100A(EN60947-5-1)
額定開放熱電流(I _{th}) Conventional free air thermal current (I _{th})		10A(EN60947-5-1)
觸電保護等級 Degree of protection against electric shock		Class II(雙重絕緣)
振動 Vibration Resistance	誤動作 Malfunction	10-55 Hz 0.75 mm single amplitude (單振幅)
衝擊 Shock Resistance	耐久 Destruction	1,000m/s ² min.
	誤動作 Malfunction	300m/s ² min.
使用環境溫度 Ambient operating temperature range		-30~+70°C with no icing (不結冰)
使用環境濕度 Ambient operating humidity range		95% max.
包裝說明 Packing		5pcs /Box

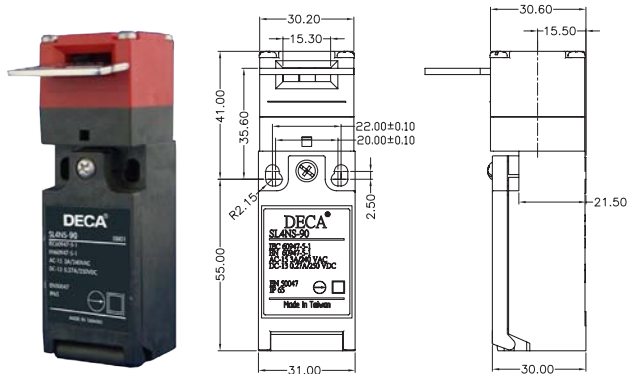
★備註 1.以上為初始值 2.上述性能內容將因機種型式而有所不同.請另行洽詢 3.上述壽命值是為周圍溫度5-35度C, 周圍濕度40-70%RH時之條件。如您需要其它詳細條件, 請另行洽詢

★Note: 1. Above values of these characteristics may be depending on different models. If any requirements, pls contact our DECA sales representative. 3. Above durability is for an ambient temperature of 5 to 35° and ambient humidity of 40% to 70%. If any requirements, pls contact our DECA sales representative.

SL4NS-90

●水平安裝型

With Front-inserted Operation Key

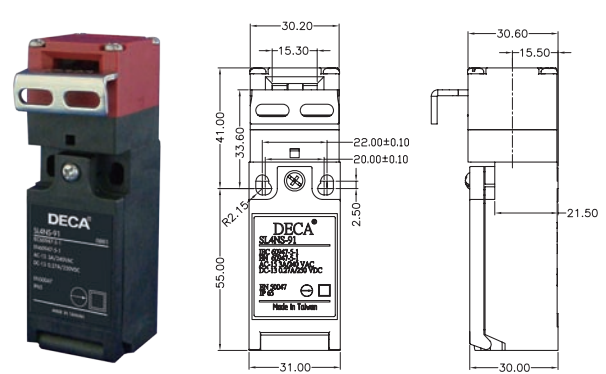


重量 Weight: 120.60g

SL4NS-91

●垂直安裝型

With Front-inserted Bending Operation Key

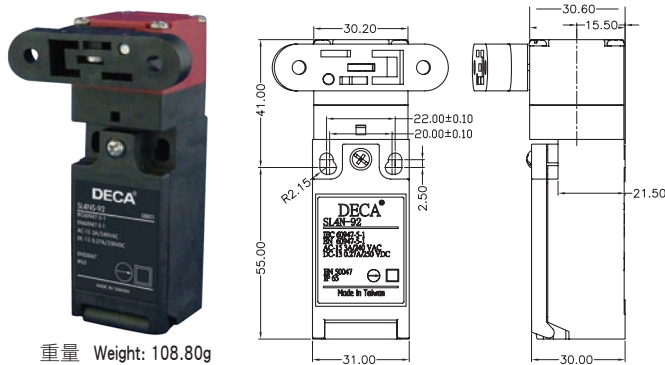


重量 Weight: 102.80g

SL4NS-92

●可調(水平)安裝型

With Adjustable Front-inserted Operation Key in Horizontal Mount

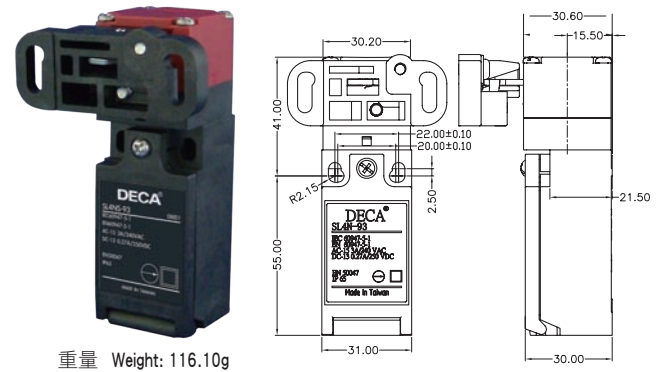


重量 Weight: 108.80g

SL4NS-93

●可調(水平/垂直)安裝型

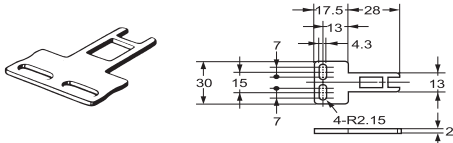
With Adjustable Front-inserted Operation Key in Horizontal and Vertical Mount



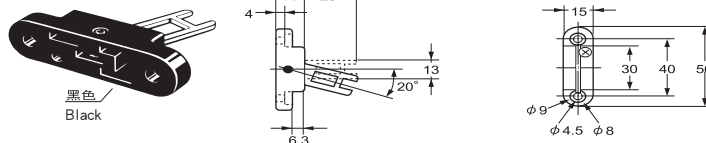
重量 Weight: 116.10g

■操作鑰匙 Operation Keypad

●SL4NS-K1型

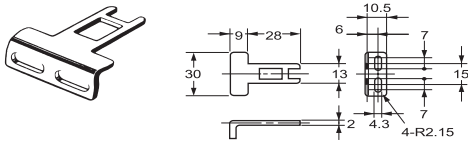


●SL4NS-K3型

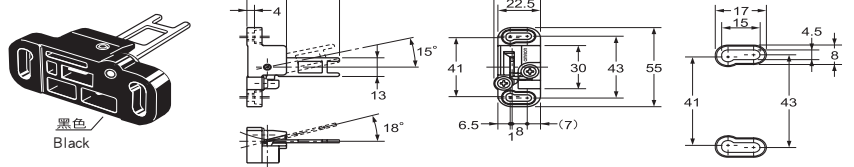


黑色
Black

●SL4NS-K2型



●SL4NS-K4型



黑色
Black

安裝孔放大圖
Mounting Holes (Enlargement)

■動作特性 Operating Characteristics

Model		SL4NS-90	SL4NS91	SL4NS-92	SL4NS-93
O.Characteristics					
操作鑰匙插入力量 Key insertion force	最大 MAX	15N	15N	15N	15N
操作鑰匙插入力量 Key extraction force	最大 MAX	30N	30N	30N	30N
動作行程 Pretravel (PT)		6±3mm	6±3mm	6±3mm	6±3mm
整體行程 Total travel (TT)		(28mm)	(28mm)	(28mm)	(28mm)
直接開路動力 * Direct opening force *	最小 MIN	60N	60N	60N	60N
直接開路行程 * Direct opening stroke	最小 MIN	10mm	10mm	10mm	10mm