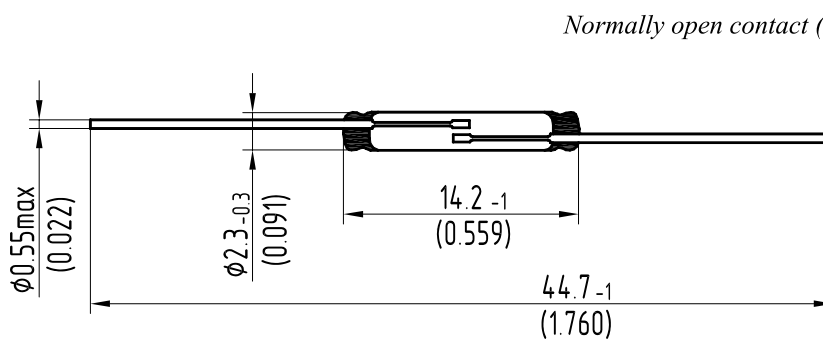


Reed switch

MKA-14103

Application: operated relay contacts, magnetic switches, various sensors in household appliances, industrial and special equipment.

| |
|-------------|
| P 10W |
| I 1,0A |
| U 100V |



Dimensions are given in millimeters (inches)



E229065

Specifications

| | | |
|--|-------------------|-----------------------------------|
| Switching power, max | W | 10 |
| Switching current range | A | $5 \cdot 10^{-9} \dots 0,5$ |
| Carry current range | | $5 \cdot 10^{-6} \dots 1,0$ |
| Switching voltage range | V | 0,01 ... 100 |
| Resistance, max | Ohms | 0,1 |
| Insulation resistance, min | MOhms | 10000 |
| Breakdown voltage, min | V_{AC} / V_{DC} | 160/220 180/250 |
| <ul style="list-style-type: none"> at Pull in $\leq 20AT$ at Pull in $> 20AT$ | | |
| Pull in range | AT | 8...35 |
| Drop out range, min | AT | 4 |
| Drop out / Pull in | - | 0,35...0,9 |
| Operate time, max | ms | 1,0 |
| Release time, max | ms | 0,4 |
| Capacitance, max | pF | 0,7 |
| Life (depending on mode conditions) | - | $5 \cdot 10^5 \dots 1 \cdot 10^8$ |
| Switching frequency (depending on mode conditions), max | oper/sec | 100 |
| Switching current frequency, max | kHz | 10 |
| Resonance frequency, min | Hz | 4000 |
| Sinusoidal vibration (1-2000) Hz | g | 40 |
| Mechanical shock | g | 150 |
| Operating temperature range | °C | -60...+155 |
| High humidity at +25 °C, max | % | 98 |
| Weight, max | g | 0,14 |

Test coil for operate AT

| | | |
|---------------------------|--------------|--|
| Dimensions | $13^{+0,18}$ | Parameters |
| $\varnothing 8,1_{-0,09}$ | | 5000 turns $\varnothing 0,063$ mm 870 Ohms |

Note:

customized switches with modified and/or cut leads as well as with close OAT are available upon agreement.

09.09.2011



FAST ELECTRIC LIMITED / SHENZHEN FAST SENSOR CO., LTD.

TEL: +86 755 3393 6681

FAX: +86 755 3393 6682

E-MAIL: ps@szfast.com

Website: www.szfast.com

