



## Rocker Switch MRA Series



### SPECIFICATION

- Electrical Rating : 3A 250VAC(UL,VDE)
- Mechanical life: Over 30000 cycles
- Electrical life: Over 10000 cycles
- Contact resistance: <math><20m\Omega</math>
- Insulation resistance: >1000M $\Omega$
- High voltage resistance: >1500V 1 min.
- Ambient temperature: Terminal side -20 to +85 $^{\circ}$ C  
Actuating side -20 to +55 $^{\circ}$ C
- Storage temperature: -30 to +80 $^{\circ}$ C Max
- Atmospheric humidity: Max.85%
- Actuating force: 4 to 8N(depends on different switch function)
- Flammability: UL94 V-2
- Temperature rise at the terminal: Max 30 $^{\circ}$ C (UL1054)
- Solder ability of terminal: Max 350 $^{\circ}$ C ,3s

### MATERIALS

- Housing: PA66
- Rocker: PA66
- Contacts: Silver alloy
- Terminal: Brass silver plated
- Spring: SWC
- Movable arm: Brass silver plated

### HOW TO ORDER

MRA

Series

Series

1

Switch Function

|   |        |
|---|--------|
| 1 | ON-OFF |
| 2 | ON-ON  |

K

Housing Color

|   |       |
|---|-------|
| G | Gray  |
| W | White |
| K | Black |

K

Actuator Color

|   |        |
|---|--------|
| G | Gray   |
| W | White  |
| K | Black  |
| O | Orange |
| R | Red    |
| B | Blue   |

E

Marking

Please see option of Marking

T

Terminal Type

|   |                                  |
|---|----------------------------------|
| T | connect tab 3.7(Wide)*0.4(Thick) |
| R | Right angle terminal             |

C

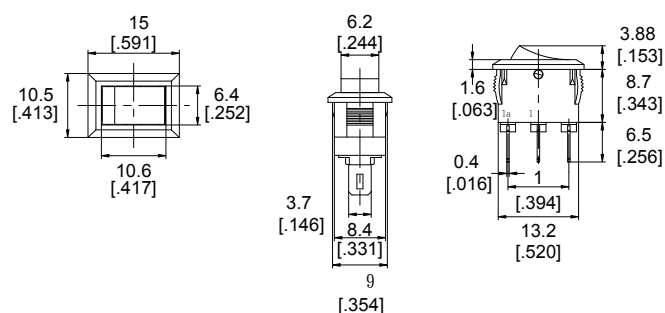
Safety Approval

|   |                    |
|---|--------------------|
| C | 3 Safety Approvals |
| E | None Approvals     |

### Option of switch function

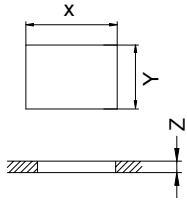
| Item NO | POLES & THROWS | Rocker position |        |       |
|---------|----------------|-----------------|--------|-------|
|         |                | Left            | Center | Right |
| MRA1    | SPST           | ON              | None   | OFF   |
| MRA2    | SPDT           | ON              | None   | ON    |

### Dimension



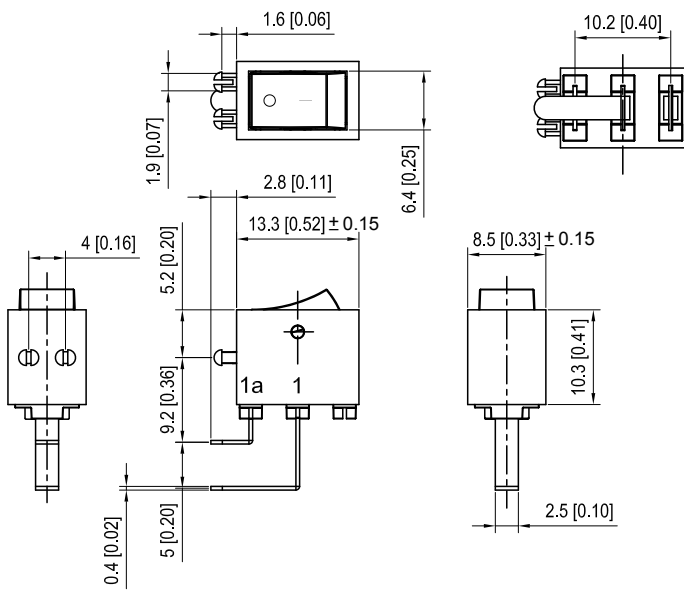


Panel cut out



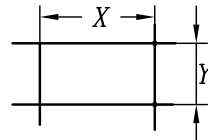
| Z         | Y         | X           |
|-----------|-----------|-------------|
| 0.70~1.25 | 9.10~9.20 | 14.10~14.20 |
| 1.25~2.00 | 9.10~9.20 | 14.20~14.30 |
| 2.00~3.00 | 9.10~9.20 | 14.30~14.40 |

Right angle terminal



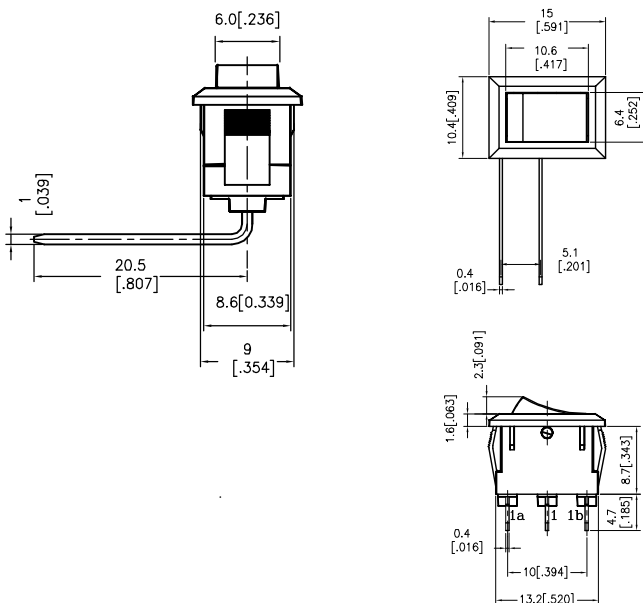
MRA1KKFR0BCA-BR

| PANEL OUT-CUT      |                      |
|--------------------|----------------------|
| Y                  | X                    |
| 8.7~8.9[.342~.350] | 13.5~13.7[.531~.539] |



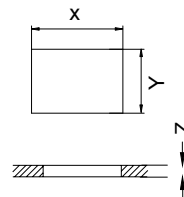
All dimensions in mm [ Inch ]

Right angle terminal



MRA2KKER0BR

| Z         | Y         | X           |
|-----------|-----------|-------------|
| 0.70~1.25 | 9.10~9.20 | 13.60~13.80 |
| 1.25~2.00 | 9.10~9.20 | 13.80~14.00 |
| 2.00~3.00 | 9.10~9.20 | 14.00~14.10 |



All dimensions in mm [ Inch ]