

MRS Series

200 mm – 90 mm Thick
 (7.87 in. – 3.54 in. Thick)



Operating Voltage Range: ±10%
 Materials
 Frame: Die Cast Aluminum
 Blades: Polycarbonate (Flammability grade V-0)
 Overheat Protection: Built-in Thermal Protector
 Bearings: Ball Bearings



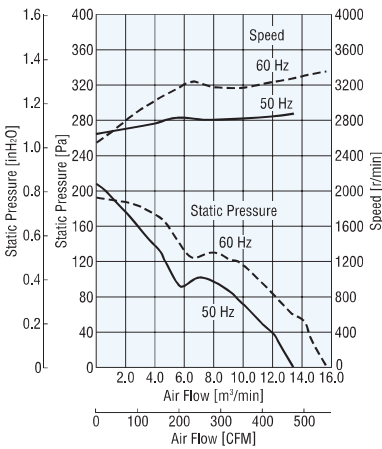
Specifications (RoHS)

Model		Voltage	Frequency	Current	Input	Speed	Max. Air Flow		Max. Static Pressure		Noise Level	Capacitor
Low-Speed Alarm, Electronic Alarm Type (Alarm specifications: ②)	Standard Type	VAC	Hz	A	W	r/min	m ³ /min	CFM	Pa	inH ₂ O	dB (A)	μF
	MRS20-BM	MRS20-BUL	Single-Phase 100	50	0.8	75	2850	13.2	466	221	0.886	56
Single-Phase 100			60	1.0	95	3350	15.5	547	186	0.746	60	
Single-Phase 110			60	1.0	95	3400	15.5	547	255	1.02	61	
Single-Phase 115			60	1.0	95	3400	15.5	547	265	1.06	61	
MRS20-DM	MRS20-DUL	Single-Phase 200	50	0.4	75	2850	13.2	466	221	0.886	56	6.0
		Single-Phase 200	60	0.5	95	3350	15.5	547	186	0.746	60	
		Single-Phase 230	60	0.5	95	3400	15.5	547	265	1.06	61	
MRS20-TM	MRS20-TUL	Three-Phase 200	50	0.4	75	2850	13.2	466	221	0.886	56	-
		Three-Phase 200	60	0.4	95	3350	15.5	547	265	1.06	60	
		Three-Phase 220	60	0.4	95	3400	15.5	547	265	1.06	61	
		Three-Phase 230	60	0.4	95	3400	15.5	547	265	1.06	61	

Alarm specifications ② → Page F-21 Details of safety standards → Page H-2

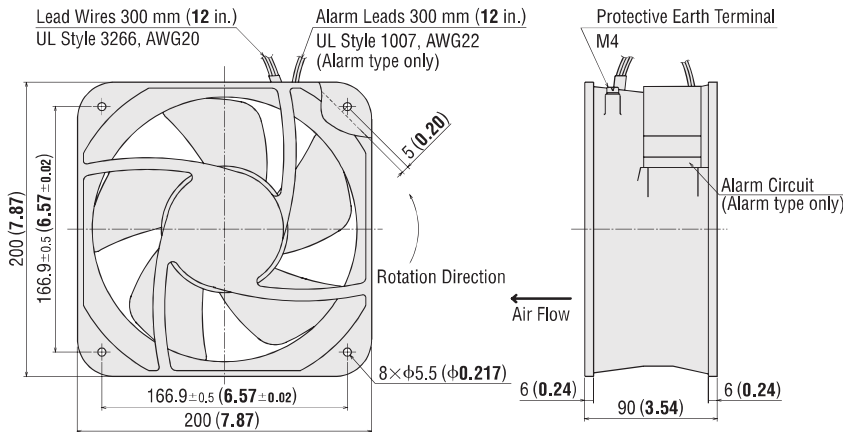
The following items are included in each product.
 Fan, Capacitor*, Capacitor Cap*, Operating Manual
 *Single-phase fans only

Air Flow – Static Pressure Characteristics



Dimensions Unit = mm (in.)

Mass: 2.5 kg (5.5 lb.)
 DXF E001

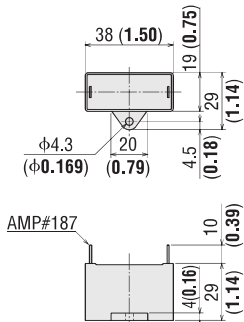


Capacitor (Included)

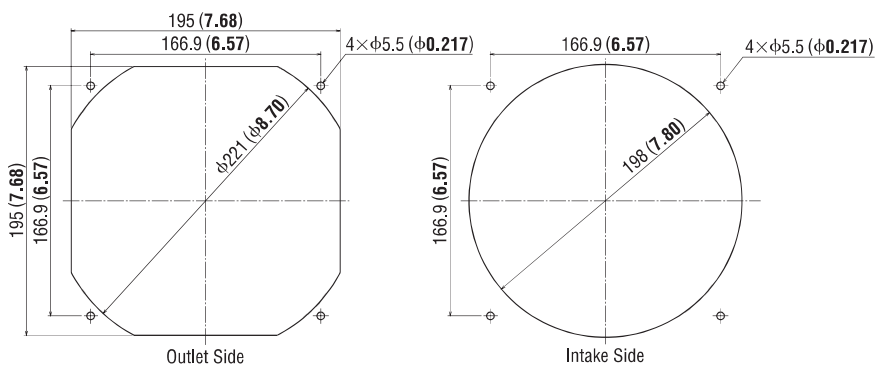
(A capacitor and capacitor cap are included with single-phase fans.)

◇ For **MRS20-B** and **MRS20-D**

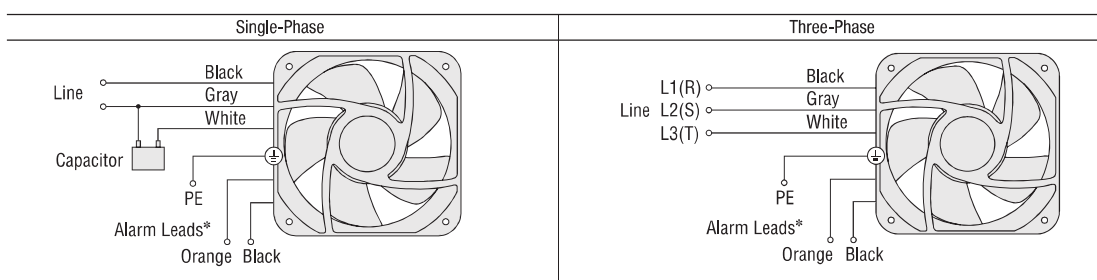
CH60UL Mass: 32 g (1.1 oz.)



Panel Cut-Out Unit = mm (in.)



Connection Diagrams



*Alarm type only

● How to connect a capacitor → Page F-129

Accessories

Product	Model	Page
Finger Guard	FG20D	F-118

Thermostats

A thermostat makes it possible for fans to operate only when cooling is necessary, thereby conserving energy.



RoHS

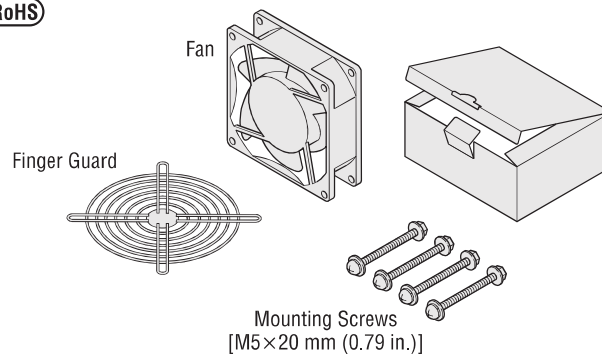
Thermostats **AM1-WA1/AM1-XA1**

●Page → F-113

Fan Kit

The lineup includes a product configuration containing all necessary accessories in one package.

RoHS



Product Line

Fan Kit Model	
T-MRS20-BM-G	T-MRS20-BUL-G
T-MRS20-DM-G	T-MRS20-DUL-G
T-MRS20-TM-G	T-MRS20-TUL-G

● See page F-34 to determine base fan required (Voltage/Alarm) and page F-30 for fan kits product number code.