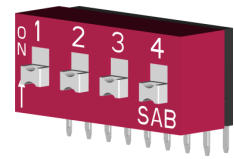
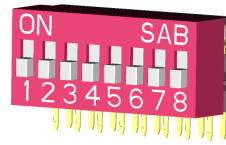


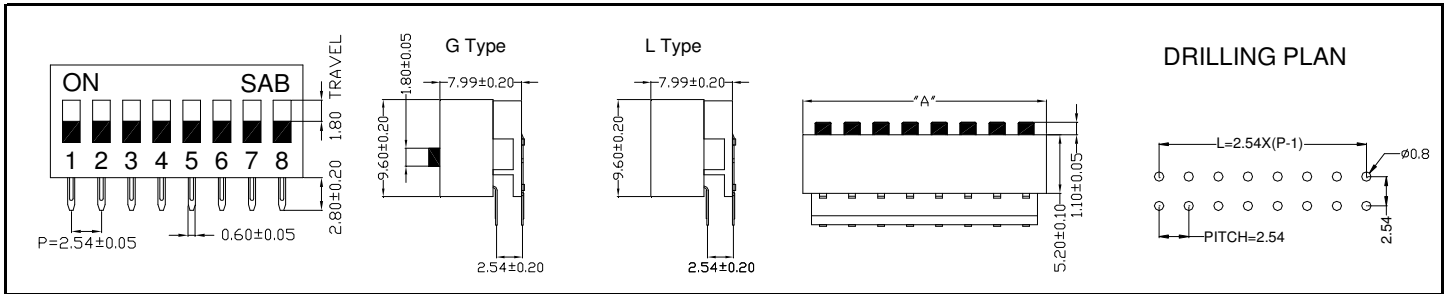


Features

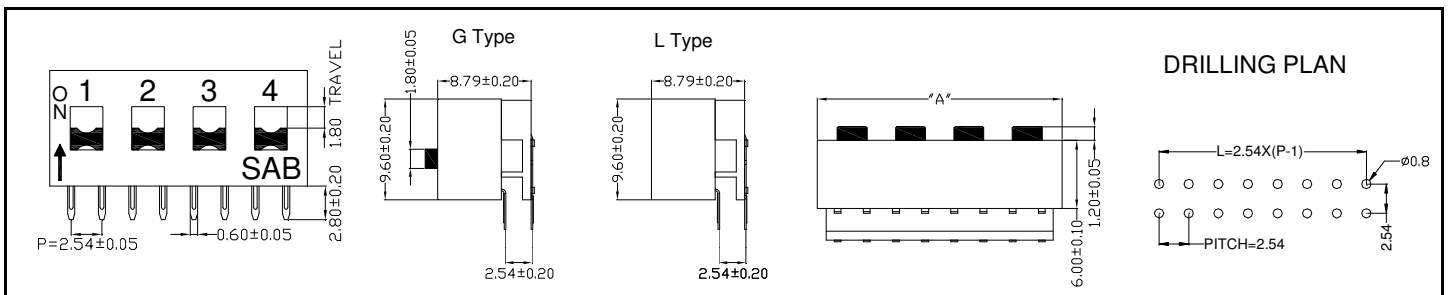
- ◆ By employing engineering plastic, this item has an excellent heat and chemical resistance.
- ◆ Standard gold-plated contact points & double movable contacts ensure reliability and longer life expectancy.
- ◆ Compatible for automatic cleaning. High pressure wiping contacts allows aqueous of solvent cleaning.
- ◆ Insert-molding technology guarantee to avoid epoxy and water from intruding.



BA



BA2F



Specifications

- ◆ Contact Rating
 - Switching 25mA, 24VDC
 - Non-Switching 100mA, 50VDC
- ◆ Contact Resistance
 - Initial 50mΩ Max
 - After Life Test 100mΩ Max.
- ◆ Insulation Resistance 100MΩ min at 500VDC
- ◆ Dielectric Strength 500VDC/1 minute
- ◆ Operating Force..... 1,000g Max
- ◆ Mechanical Life..... 5,000 cycles
- ◆ Electrical Life..... 2,000 cycles

Materials

- ◆ **Cover & Base:** High Temperature UL 94V-0 Thermoplastic, Blue, Red & Black.
- ◆ **Base:** High Temperature UL 94V-0 Thermoplastic Black.
- ◆ **Actuator:** High Temperature UL 94V-0 Thermoplastic, White.
- ◆ **Terminal & Movable Contact:** Copper Alloy With Gold Plated.
- ◆ **Terminal:** Copper Alloy With Pure-Tin Plated.
- ◆ **Tape Sealed:** Polyester Film .

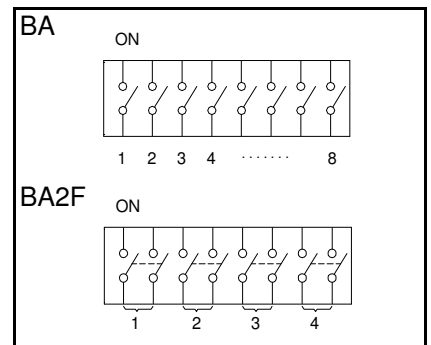
Soldering Information

- ◆ Hand Soldering
 - Soldering Iron 30W(or under) at 350°C/3 sec. Max. or at 270°C/5 sec. Max.
- ◆ Wave Soldering
 - Temperature: 260°C/10 sec. Max.
- ◆ Keep all actuators in "OFF" position during soldering and cleaning process.

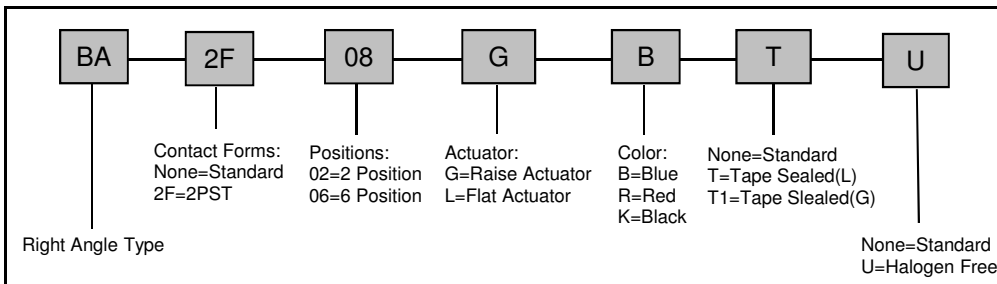
Packaging Information

- ◆ All DIP switches are shipped in Tube.
- ◆ Actuators all in "OFF" position.

Wiring Diagram



Order Information



Package

P/N	No. Of Pole	Dim. A	Quantity per Tube
BA02	2	6.08mm	85
BA03	3	8.62mm	61
BA04	4	11.16mm	47
BA05	5	13.70mm	38
BA06	6	16.24mm	32
BA07	7	18.78mm	28
BA08	8	21.32mm	24
BA09	9	23.86mm	22
BA10	10	26.40mm	20
BA12	12	31.48mm	16
BA2F01	1	6.08mm	85
BA2F02	2	11.16mm	47
BA2F03	3	16.24mm	32
BA2F04	4	21.32mm	24
BA2F05	5	26.40mm	20
BA2F06	6	31.48mm	16