



RE SERIES

SPECIFICATIONS

Contact Resistance (initial)

Max. 50 mΩ

Measured by ohm meter - open voltage < 1VDC, driver current -100 mA

Insulation Resistance (at 500 VDC / minute)

Min. 100 MΩ

Dielectric Strength

1250 VAC(50~ 60 Hz)

Operating Temperature Range

-40°C to 55°C (with no icing)

Vibration

10~55 Hz, displacement 0.75 mm(p-p)

Electrical Service Life

Min. 10,000 operations

Electrical Operating Frequency

10~30 operations per minute

APPLICATIONS

Juice Maker, Blender, Food Processor

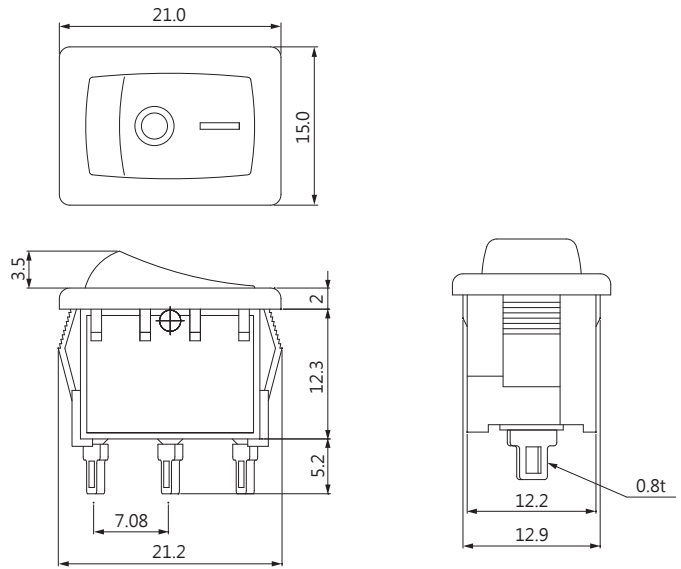
CERTIFICATE INFORMATION

Model Name	UL, cUL	ENEC14
RE-06S	3A 250 VAC 6A 125 VAC (Temp:55°C) Min. 6,000 operations	Non
RE-12S	12A 125/250 VAC (Temp:55°C) Min. 6,000 operations	12A 125/250 VAC, μT85/55, 1E4

DIMENSIONS

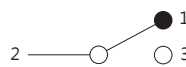
Unless otherwise specified, a tolerance of ±0.4mm applies to all dimensions.

TWIST TYPE

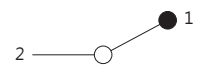


CONTACT CONFIGURATION

SPDT



SPST

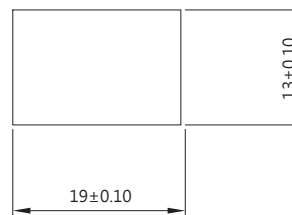


TERMINAL TYPES

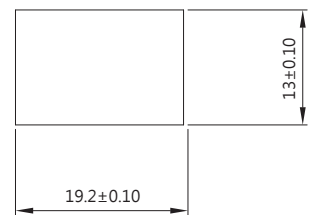
MOUNTING HOLES

t=0.8mm

t=1.0mm

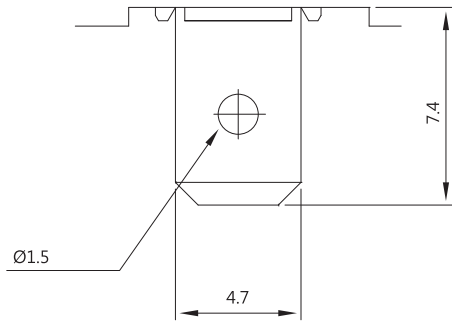


t=1.2mm

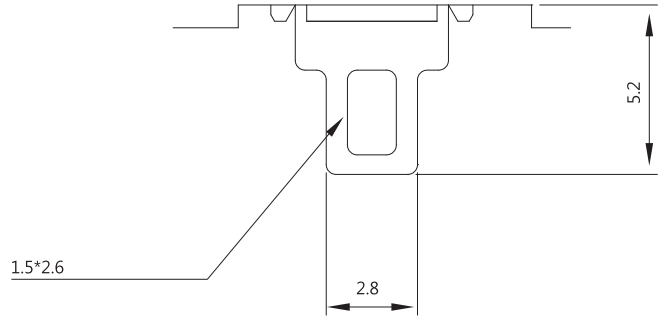


TERMINAL TYPES

D TYPE(t=0.8mm)



A TYPE(t=0.8mm)



ORDERING INFORMATION

