

ROCKER SWITCHES



RF SERIES

SPECIFICATIONS

Contact Resistance (initial)

Max. 50 mΩ

Measured by ohm meter - open voltage < 1VDC, driver current -100 mA

Insulation Resistance (at 500 VDC / minute)

Min. 100 MΩ

Dielectric Strength

1000 VAC(50~ 60 Hz)

Operating Temperature Range

-40°C to 85°C

Vibration

10~55 Hz, displacement 0.75 mm(p-p)

Electrical Service Life

Min. 10,000 operations

Electrical Operating Frequency

10~30 operations per minute

APPLICATIONS

Juice Maker, Blender, Food Processor

CERTIFICATE INFORMATION

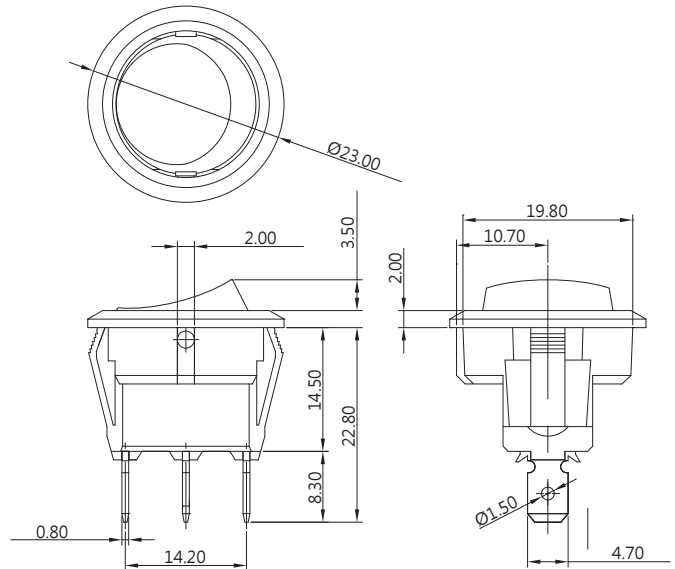
Model Name	UL, cUL	ENEC14
RF-12S	12A 125/250 VAC (Temp:55°C) Min. 6,000 operations	12(4)A 250 VAC.μ T85/55, 1E4

ORDERING INFORMATION

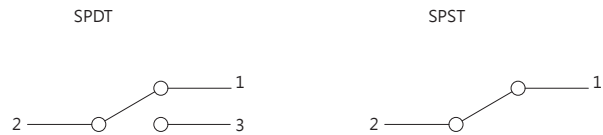
R	F	1	2	S	D	B	R	2	0	Z					
SERIES PREFIX	CODE	RATING CURRENT	CODE	OPERATING FORCE	CODE	TERMINAL TYPE	CODE	CASE COLOR	CODE	ACTUATOR COLOR	CODE	SWITCH FUNCTION	CODE	ACTUATOR MARKING	ROHS CODE
	12	12A 125/250VAC 12(4)A 250VAC	S	Max.700gf	A	SOLDER TERMINAL	B	BLACK	B	BLACK	1	S.P.S.T	0	NO MARKING	
					D	#187QUICK CONNECT TERMINAL	W	WHITE	R	RED	2	S.P.D.T	1	⊖	
									P	PURPLE	3	S.P.S.T 250VAC WITH NEON LAMP (ONLY FOR RED ACTUATOR)	2	●	
											4	S.P.S.T 125VAC WITH NEON LAMP (ONLY FOR RED ACTUATOR)	3	L H	
													4	ON OFF	

DIMENSIONS

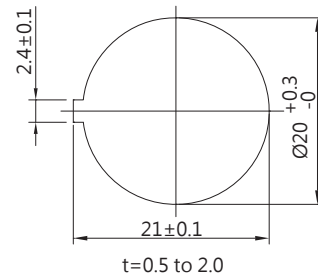
Unless otherwise specified, a tolerance of ±0.4mm applies to all dimensions.



CONTACT CONFIGURATION



MOUNTING HOLES



TERMINAL TYPES

