



RL2(P)-21/N-O-RE/BK-P1
ON-OFF 4P W/Round Len DPST



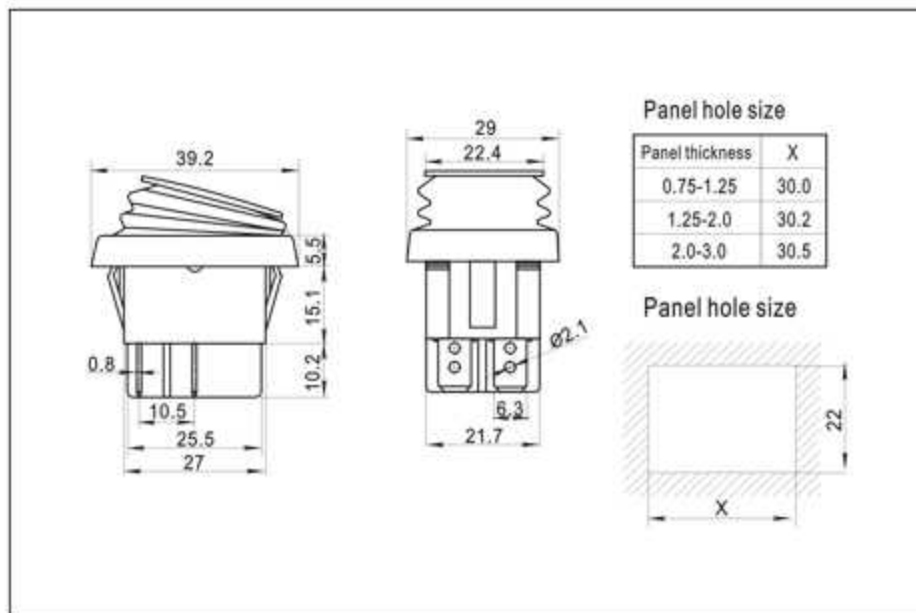
RL2(P)-23-6-BK/BK-P1
ON-OFF-ON 6P DPDT

RLEIL ROCKER SWITCH

Specification:

16 (8) A 250VAC T85/55 1E4

16A 125V 250VAC 3/4 HP



EXPLANATION MODEL NUMBER

RL2(P) - 21/N - O - RE/BK - P1... (2)

Function

| | |
|----------|------------------|
| 00 | Indicator Lamp |
| 21/N | ON-OFF 4P w/lamp |
| 21 | ON-OFF 4P |
| 22 | ON-ON 6P |
| 23 | ON-OFF-ON 6P |
| 23(ON) | (ON)-OFF-ON 6P |
| 23(2xON) | (ON)-OFF-(ON) 6P |

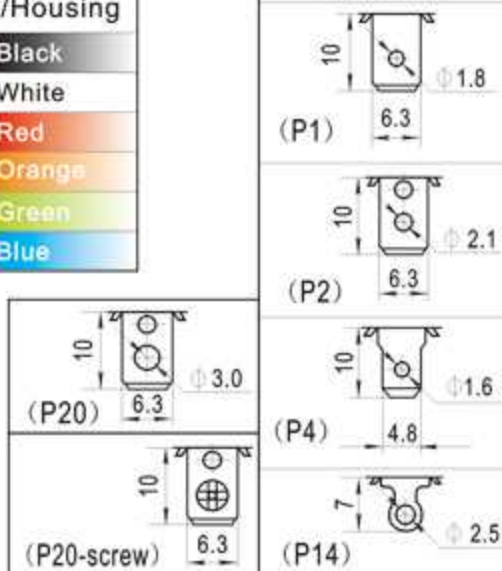
Cap Printing

| | |
|---|-------------|
| 0 | None |
| 1 | |
| 2 | |
| 3 | |
| 4 | |
| 5 | |

Color Cap/Housing

| | |
|----|--------|
| BK | Black |
| WT | White |
| RE | Red |
| OR | Orange |
| GR | Green |
| BL | Blue |

Terminal



Votoge

| | |
|---|--------|
| 1 | 110VAC |
| 2 | 220VAC |
| 3 | 12VDC |
| 4 | 24VDC |