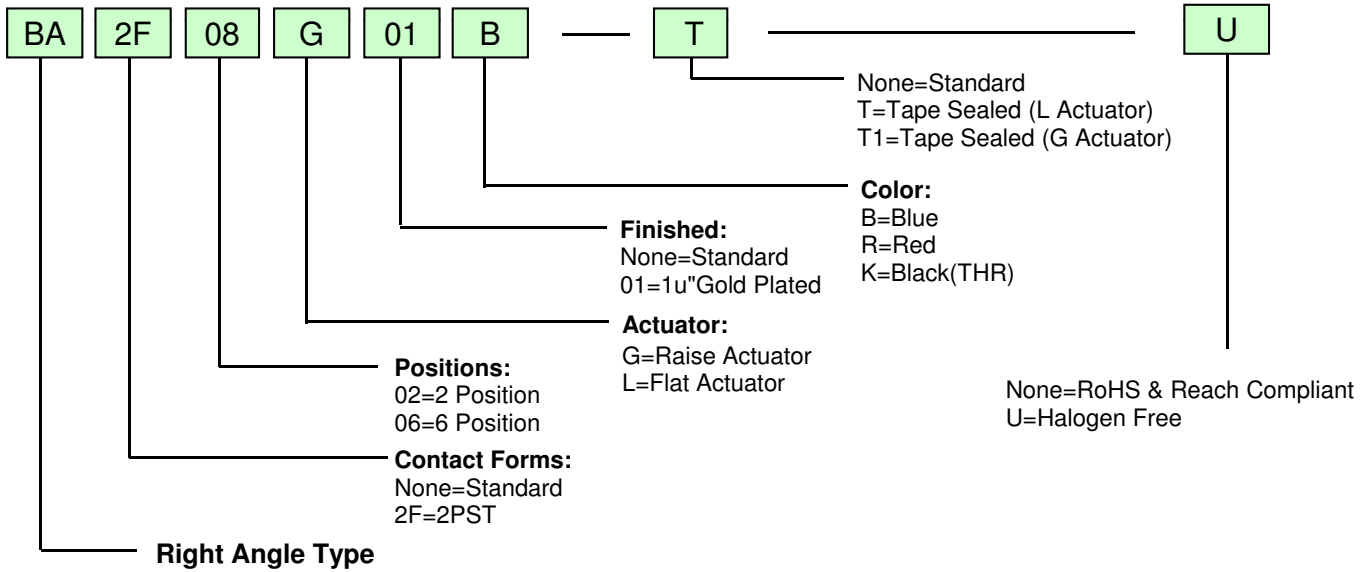


MODEL	SPECIFICATION		Page
BA series Right Angle Type	DIP SWITCH RoHS&REACH Compliant / Halogen Free	SP-001	1/3

Order Information



Specifications

◆ Contact Rating	Switching.....	25mA, 24VDC
	Non-Switching.....	100mA, 50VDC
◆ Contact Resistance	Initial.....	50mΩ/Max
	After Reliability Test.....	100mΩ/Max
◆ Insulation Resistance	100MΩ/Min. at 500 VDC
◆ Dielectric Strength	500VDC/ 1 mintue
◆ Operating Force	1,000g/max
◆ Travel	1.8mm
◆ Mechanical Life	5,000 cycles (Min.)
◆ Electrical Life	2,000 cycles /25mA, 24VDC
◆ Operating Temperature	-40°C ~ +85°C
◆ Storage Temperature	-40°C ~ +85°C

Materials

◆ Cover	RoHS&REACH Compliant.. Thermoplastic UL 94 rate, Red/ Blue/ Black(THR) Halogen Free..... Thermoplastic UL 94 rate, Red/ Blue/ Black(THR)
◆ Base	RoHS&REACH Compliant.. Thermoplastic UL 94 rate, Black Halogen Free..... Thermoplastic UL 94 rate, Black
◆ Actuator Thermoplastic UL 94 rate, White
◆ Support	RoHS&REACH Compliant.. Thermoplastic UL 94 rate, Black Halogen Free..... Thermoplastic UL 94 rate, Black
◆ Contact Gold-Plated
◆ Terminal	Standard..... Tin Plated 01 type..... Gold-Plated
◆ Tape Polyimide Film

MODEL	SPECIFICATION		Page
BA series Right Angle Type	DIP SWITCH RoHS&REACH Compliant / Halogen Free	SP-002	2/3

Soldering Information

◆ Hand Soldering

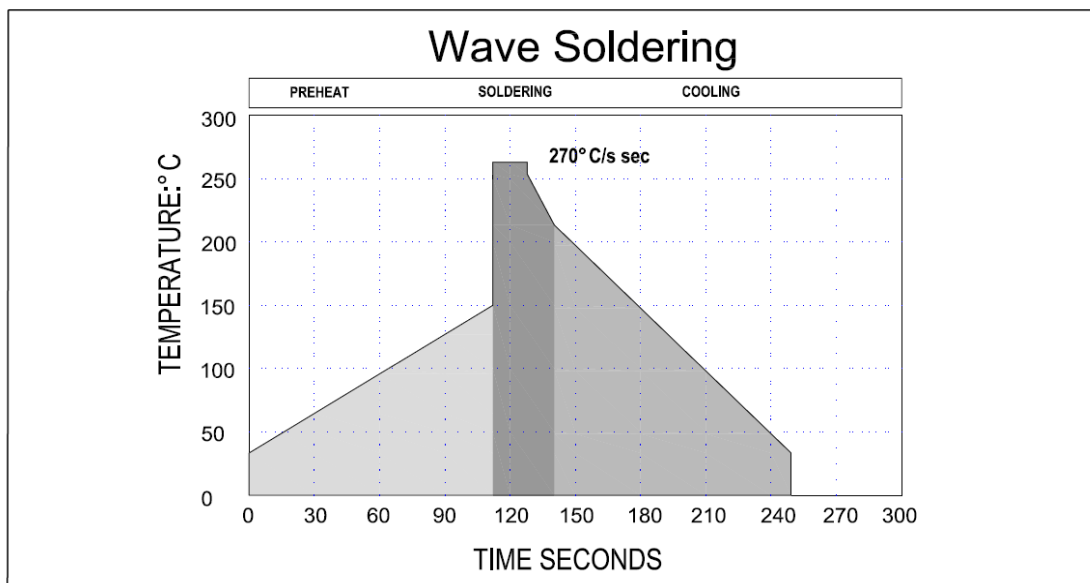
Soldering iron 30W or under at 350°C for 3 sec. max. or at 270°C for 5 sec. max.

◆ Wave Soldering

(1) For lead free wave solder simulation of typical components, the solder bath temperature Shall be maintained to 270°C/ 5~10 seconds.

(2) **THR** - 280°C/10seconds

Classification Wave Soldering Profiles



Maximum dwell time in the solder wave (270°C) shall not exceed 5

Switch Operation and Taping

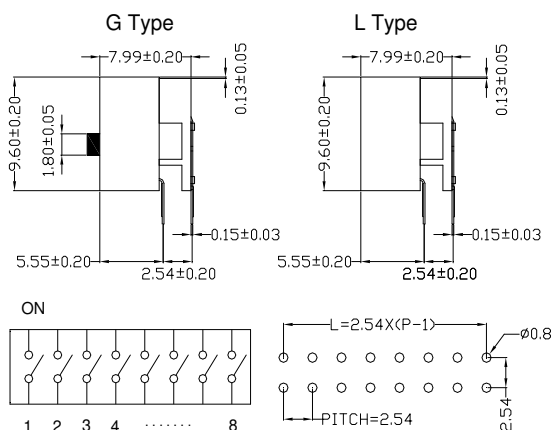
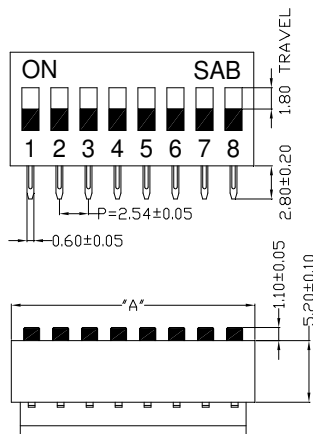
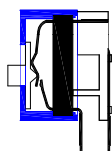
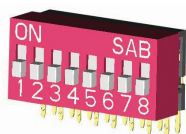
- (1) Use tweezers for operation
- (2) Flux cleaning should be done without removing the Tape.
- (3) If the tape is removed, it adheres less than before when it is placed back on, possibly causing flux inflow
- (4) Ultrasonic cleaning not recommended without Tape sealed.

※ **Keep all actuators in “OFF” position during soldering and cleaning process.**

※ **Any flux enters the switch may influence contact function.**

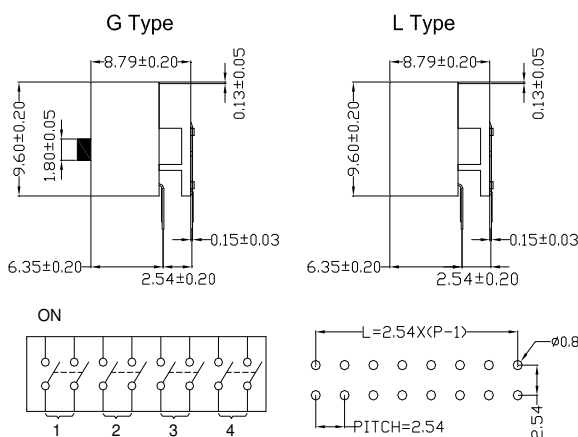
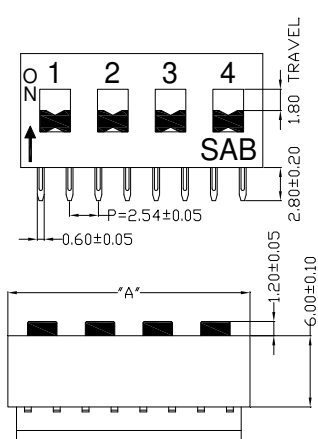
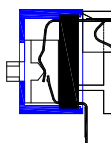
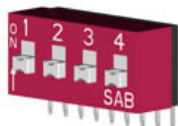
MODEL	SPECIFICATION DIP SWITCH RoHS&REACH Compliant / Halogen Free	SP-003	Page
BA series Right Angle Type			3/3

BA



No. Pos.	Dim. "A"
2	6.08
3	8.62
4	11.16
5	13.70
6	16.24
7	18.78
8	21.32
9	23.86
10	26.40
12	31.48

BA2F



No. Pos.	Dim. "A"
1	6.08
2	11.16
3	16.24
4	21.32
5	26.40
6	31.48

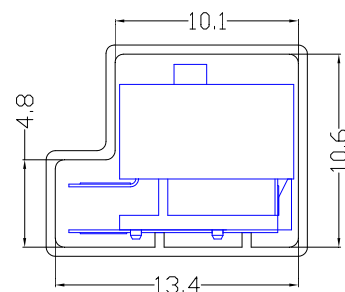
Tube Package

BA

POLE	2	3	4	5	6	7	8	9	10	12
TUBE	85	61	47	38	32	28	24	22	20	16
BOX	4760	3416	2632	2128	1792	1568	1344	1232	1120	896
CTN 1	9520	6832	5264	4256	3584	3136	2688	2464	2240	1792
CTN 2	19040	13664	10528	8512	7168	6272	5376	4928	4480	3584

BA2F

POLE	1	2	3	4	5	6
TUBE	85	47	32	24	20	16
BOX	4760	2632	1792	1344	1120	896
CTN 1	9520	5264	3584	2688	2240	1792
CTN 2	19040	10528	7168	5376	4480	3584



Box Dimension:

◆ Tube57.0cm × 13.0cm × 12.5cm

Carton Dimension:

◆ Tube 2 Boxes.....58.5cm x 29.0cm x 15.0cm

4 Boxes.....58.5cm x 28.0cm x 27.0cm