



SM1 SERIES

internal snap-fit lever

SPECIFICATIONS

Contact Resistance (initial)

Max. 300mΩ

Measured by ohm meter - open voltage < 1VDC, driver current -100 mA

Insulation Resistance (at 250VDC/minute)

Min. 100MΩ

Dielectric Strength

1000VAC (50~60Hz)

Storage Temperature Range

-25°C to 85°C (with no icing)

Operating Temperature Range

SM1-06/10/16/P1 series -40°C to 125°C (with no icing)

SM1-C5/C3/C1 series -40°C to 85°C (with no icing)

Storage Humidity

At 40°C, Max. 85% R.H

Vibration

10~55Hz, displacement 0.75 mm (p-p)

Electrical Service Life

Min. 10,000 operations

Electrical Operating Frequency

10~30 operations per minute

Mechanical Service Life

SM1-C5/-06 series(S/L/D force) Min. 10,000,000 operations

SM1-10 series(S force) Min. 1,000,000 operations

All series for H force No define the life

Mechanical Operating Frequency

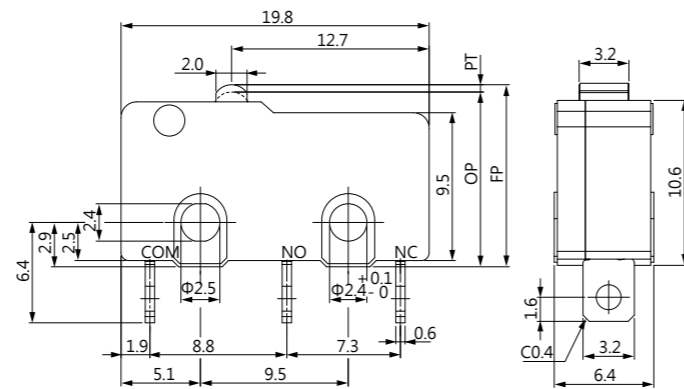
120 operations per minute

APPLICATIONS

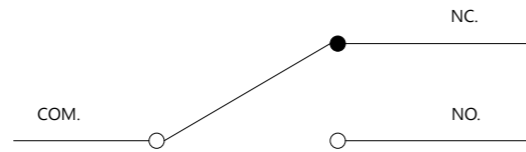
Telephone, Air Conditioner, Computer, Humidifier, Alarm, Time Recorder, Mixer & Chopper, Solder Gun, Neon Phone, Fax Machine, Joystick, Water Pump, Gas Detector, Pencil Sharpener, Money Sorter, Food Processor, Electric Knife, Toy Car, Juice Maker, Electric Steak Pan.

DIMENSIONS

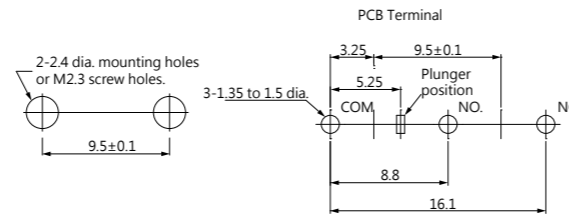
Unless otherwise specified, a tolerance of ±0.4mm applies to all dimensions.



CONTACT CONFIGURATION



MOUNTING HOLES



CERTIFICATE INFORMATION

Model Name	UL, cUL	ENEC14
SM1-P1	0.1A 125/250VAC(Temp:125°C) Min. 10,000 operations	0.1A 125/250VAC,μ40T125 1E4
SM1-06	6A 125/250VAC(Temp:125°C) Min. 10,000 operations	6A 125/250VAC,μ40T125 1E4 6(2)A 125/250VAC,μ40T125 1E4
SM1-10	10.1A 125/250VAC(Temp:125°C) Min. 10,000 operations	10.1A 125/250VAC,μ40T125 1E4 6(2)A 125/250VAC,μ40T125 1E4
SM1-16	16A 125/250VAC(Temp:65°C) Min. 6,000 operations	16.1A 125/250VAC,μ40T125 1E4 6(3)A 125/250VAC,μ40T125 1E4
SM1-C5	5A 125/250VAC(Temp:85°C) Min. 10,000 operations	5A 125/250VAC,μT85 1E4
SM1-C3	3A 125/250VAC(Temp:85°C) Min. 10,000 operations	3A 125/250VAC,μT85 1E4
SM1-C1	0.1A 125/250VAC(Temp:85°C) Min. 10,000 operations	0.1A 125/250VAC,μT85 1E4

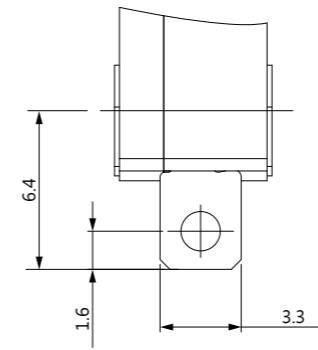
THE SELECTION OF RATING & FORCE

MODEL	Rating	D	L	S	H
SM1	0.1A	*	*	*	*
	3A	*	*	*	*
	5A	*	*	*	*
	6A	*	*	*	*
	10A			*	*
	16A				*

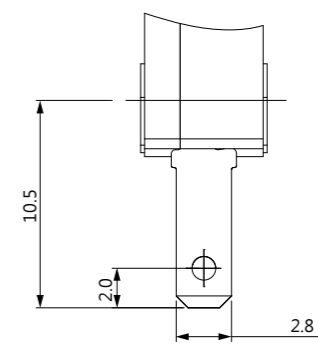
NOTE : The Symbol " * " to represent the result is accepted

TERMINAL TYPES (The thickness of each terminal is 0.6)

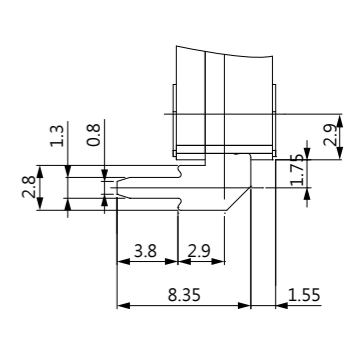
A TYPE



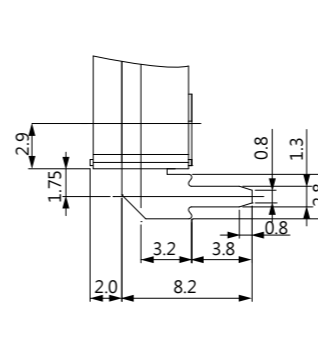
B TYPE



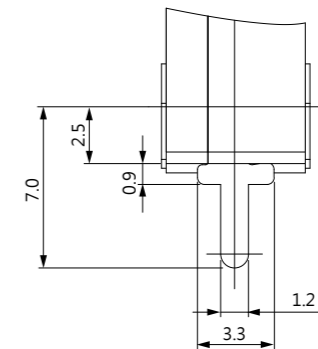
C TYPE



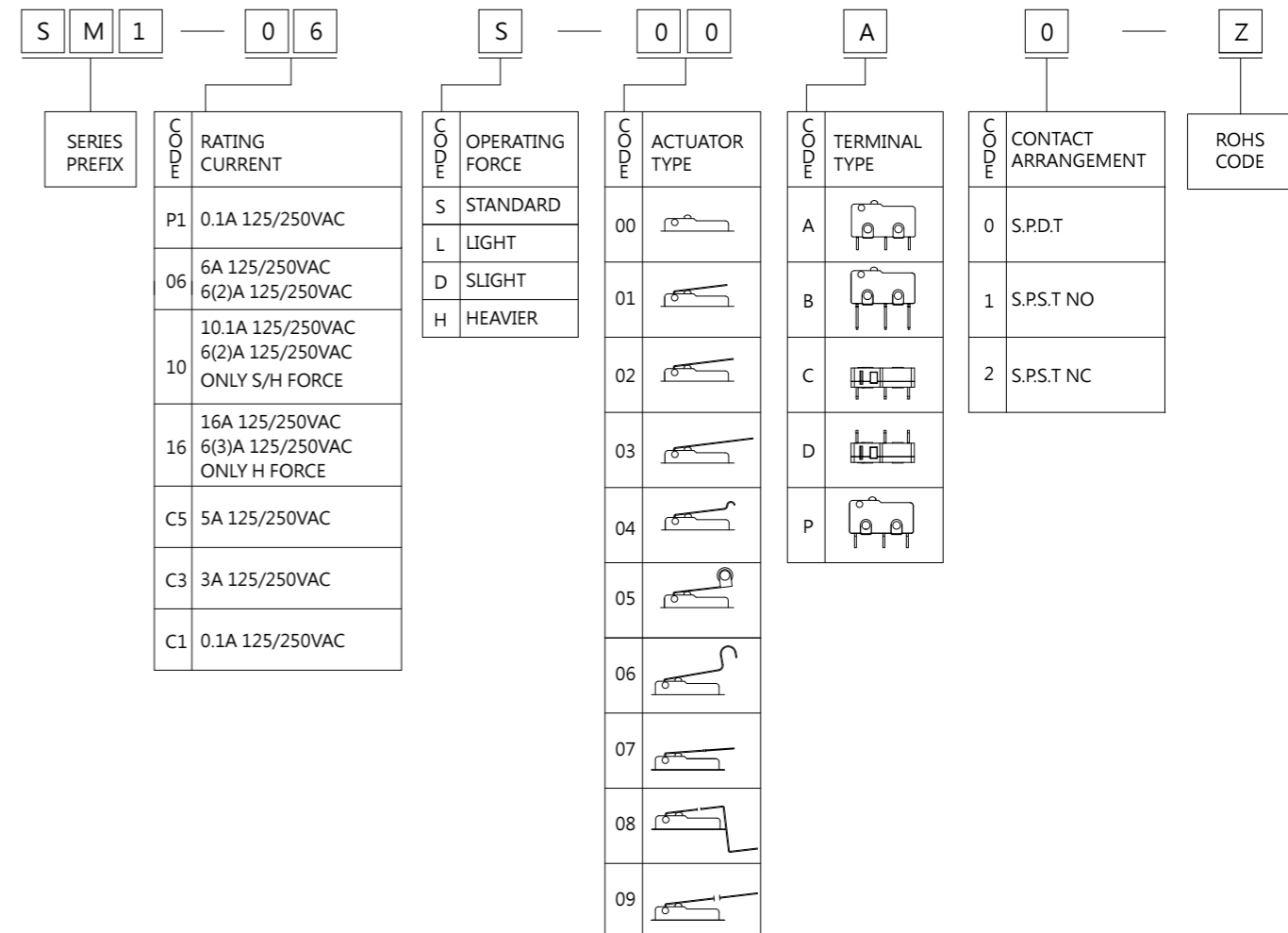
D TYPE



P TYPE



ORDERING INFORMATION



OPERATING CHARACTERISTICS

SWITCH TYPE	PART SUFFIX	OF Max. (gf)		OP (mm)	PT Max. (mm)	OT Min. (mm)	MD Max. (mm)	FP Max. (mm)	RF Min. (gf)
		H	S						
SM1- □□□ -00 □□ -Z		H	355	11.4±0.3	1.1	0.4	0.2	12.2	100
		S	150						25
		L	95						10
SM1- □□□ -01 □□ -Z		H	118	11.4±1.1	4.63	0.53	1.45	14.6	20
		S	50	11.8±0.8	3.6	0.6	0.8		6
		L	28						1
SM1- □□□ -02 □□ -Z		H	107	11.4±1.3	5.29	0.48	1.67	14.94	17
		S	45	11.8±0.9	4.03	0.67	0.9		5
		L	25						1
SM1- □□□ -03 □□ -Z		H	87	11.0±1.8	7.47	0.18	2.40	15.96	11
		S	34	11.8±1.5	5.35	0.89	1.19		2
		L	20						1
SM1- □□□ -04 □□ -Z		H	111	13.3±1.2	5.02	0.51	1.58	16.66	19
		S	47	13.7±0.9	3.86	0.64	0.86		5
		L	26						1
SM1- □□□ -05 □□ -Z		H	117	17.1±1.1	4.60	0.55	1.44	20.5	21
		S	50	17.5±0.8	3.8	0.6	0.8		6
		L	28						1
SM1- □□□ -06 □□ -Z		H	97	18.0±1.5	6.12	0.4	1.95	23.2	15
		S	42	19.0±1.5	5.7	1.0	1.0		2
		L	23						1
SM1- □□□ -07 □□ -Z		H	55	9.9±2.7	11.20	0.5	4.1	18.4	8
		S	25	11.8±2.0	8.6	1.5	1.8		1
		L	16						1
SM1- □□□ -08 □□ -Z		S	25	-2.3±3.0	6.0	X	1.9	5.4	1
		L	17						1
SM1- □□□ -09 □□ -Z		S	15	11.8±3.0	13.3	1.0	2.9	22.1	2
		L	12						1