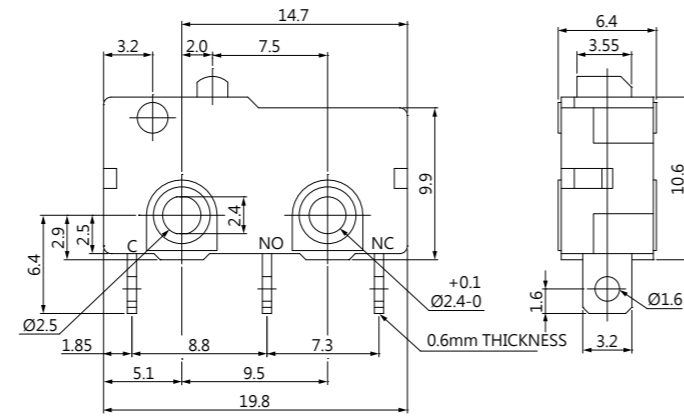


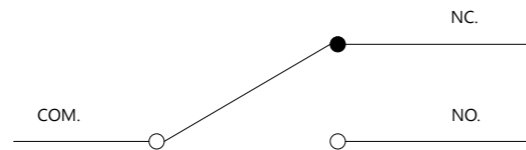


### DIMENSIONS

Unless otherwise specified, a tolerance of ±0.4mm applies to all dimensions.



### CONTACT CONFIGURATION



### CERTIFICATE INFORMATION

Model Name	UL	ENEC14
SM-P1 SM-G1	0.1A 125/250VAC/30VDC (Temp:120°C) Min. 10,000 operations	Non
SM-G5	5A 125/250VAC (Temp:120°C) Min. 10,000 operations	Non
SM-05	5A 125/250VAC (Temp:120°C) Min. 10,000 operations	5A 125/250 VAC, $\mu$ 40T125 1E4 (Only for H, Q,T force)
SM-10	10.1A 125/250VAC Min. 6,000 operations 5A 125/250VAC (Temp:120°C) Min. 100,000 operations	Non

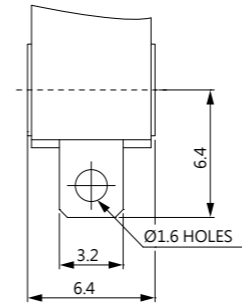
### THE SELECTION OF RATING & FORCE

MODEL	Rating	D	L	S	H	Q	T
SM	0.1A	*	*	*	*	*	*
	5A		*	*	*	*	*
	10.1A				*	*	*

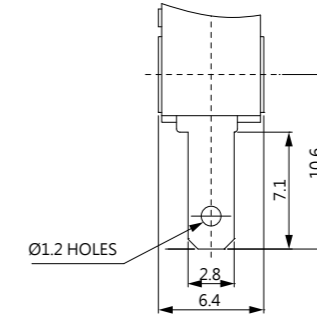
NOTE : The Symbol " \* " to represent the result is accepted

### TERMINAL TYPES (The thickness of each terminal is 0.6)

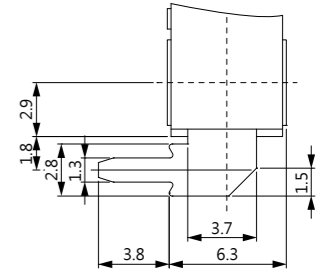
A TYPE



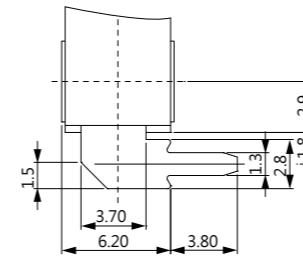
B TYPE



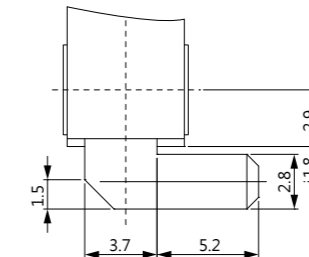
C TYPE



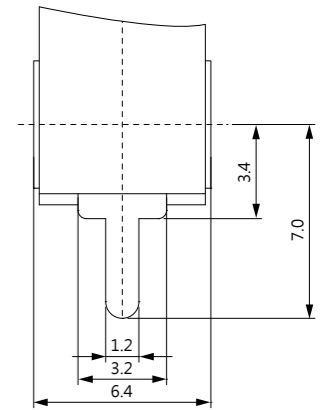
D TYPE



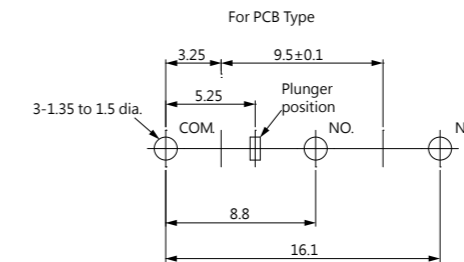
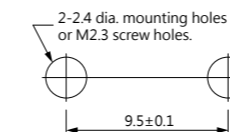
E TYPE



P TYPE



### MOUNTING HOLES



### ORDERING INFORMATION

SERIES PREFIX	CODE	RATING CURRENT	OPERATING FORCE	ACTUATOR TYPE	TERMINAL TYPE	CIRCUIT ARRANGEMENT	ROHS CODE
S	M	05	T	00	A	0	Z
		P1	Q	01	B	1	
		05	H	02	C	2	
		10	S	03	D		
			L	04	E		
			D	05	P		
				06			
				07			
				08			
				09			

## SM SERIES

### SPECIFICATIONS

#### Contact Resistance(initial)

Max. 300 mΩ  
Measured by ohm meter - open voltage < 1VDC, driver current -100 mA

#### Insulation Resistance (at 500 VDC / minute)

Min. 100 MΩ

#### Dielectric Strength

1000 VAC(50~ 60 Hz)

#### Storage Temperature Range

-25°C to 85°C (with no icing)

#### Storage Humidity

At 40°C, Max. 85% R.H

#### Operating Temperature Range

-40°C to 120°C (with no icing)

#### Vibration

10~55 Hz, displacement 0.75 mm(p-p)

#### Electrical Service Life

0.1A, - Min. 1,000,000 operations  
Other ratings - Min. 6,000 operations

#### Electrical Operating Frequency

0.1A - 120 operations per minute  
Other ratings - 10~30 operations per minute

#### Mechanical Service Life

Min. 10,000,000 operations

#### Mechanical Operating Frequency

120 operations per minute

### APPLICATIONS

Telephone, Air conditioner, Computer, Humidifier, Alarm, Time recorder, Mixer & Chopper, Solder gun, Neon phone, Fax machine, Joystick, Water pump, Gas detector, Pencil sharpener, Money sorter, Food processor, Electric knife, Toy car, Juicer, Electric steak pan.

OPERATING CHARACTERISTICS

SWITCH TYPE	PART SUFFIX	OF Max. (gf)		OP (mm)	PT Max. (mm)	OT Min. (mm)	MD Max. (mm)	FP Max. (mm)	RF Min. (gf)
		H	S						
SM- □□□ -00 □□ -Z		H	249	11.4±0.3	1.1	0.4	0.2	12.2	50
		S	146						35
		L	104						20
SM- □□□ -01 □□ -Z		H	66	11.8±0.8	3.6	0.6	0.8	14.6	9
		S	40						6
		L	30						3
SM- □□□ -02 □□ -Z		H	58	11.8±0.9	4.0	0.6	0.8	14.9	9
		S	36						6
		L	25						6
SM- □□□ -03 □□ -Z		H	45	11.8±1.5	6.1	0.8	1.5	16.4	6
		S	28						4
		L	20						5
SM- □□□ -04 □□ -Z		H	56	13.7±1.0	4.6	0.8	0.8	17.3	13
		S	34						8
		L	25						5
SM- □□□ -05 □□ -Z		H	60	17.5±0.8	3.8	0.8	0.8	20.5	15
		S	35						8
		L	25						6
SM- □□□ -06 □□ -Z		H	48	19.0±1.5	5.7	1.0	1.0	23.2	10
		S	28						6
		L	20						4
SM- □□□ -07 □□ -Z		H	30	11.8±2.0	8.6	1.5	1.8	18.4	7
		S	20						4
		L	15						2
SM- □□□ -08 □□ -Z		H	30	-2.3±3.0	6.0	1.0	1.9	5.4	3
		S	20						4
		L	15						2
SM- □□□ -09 □□ -Z		H	18	11.8±3.0	13.3	1.0	2.9	22.1	4
		S	12						2.5
		L	8						1.5